

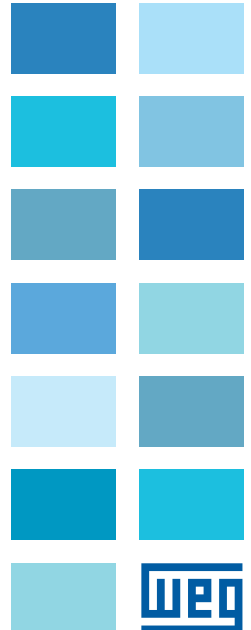
Soft-Starter

Arrancador Suave

Soft-Starter

SSW-07

User's Guide
Manual del Usuario
Manual do Usuário



SOFT-STARTER USER'S GUIDE

MANUAL DEL USUARIO DEL ARRANCADOR SUAVE

MANUAL DO USUÁRIO DA SOFT-STARTER

Series: SSW-07

Document: 0899.5832 / 06

English - Español - Português

English

Español

Português

The information below describes the revisions in this manual.

Revision	Descripción	Chapter
1	First Edition	-
2	General Revision	-
3	General Revision	-
4	Size 4 Included	-
5 and 6	Table 3.1 and 8.2 corrected	3 and 8

La información abajo describe las revisiones ocurridas en este manual.

Revisión	Descripción	Capítulo
1	Primer Edición	-
2	Revisión General	-
3	Revisión General	-
4	Inclusión Mecánica 4	-
5 y 6	Corrección de las tablas 3.1 y 8.2	3 y 8

A informação abaixo descreve as revisões ocorridas neste manual.

Revisão	Descrição	Capítulo
1	Primeira Edição	-
2	Revisão Geral	-
3	Revisão Geral	-
4	Inclusão da mecânica 4	-
5 e 6	Correções das tabelas 3.1 e 8.2	3 e 8

CHAPTER 1

Safety Instructions

1.1 Safety Notices in the Manual.....5
 1.2 Safety Notices on the Product.....5
 1.3 Preliminary Recommendations.....5

CHAPTER 2

General Information

2.1 About this Manual7
 2.2 About the Soft-Starter SSW-077
 2.3 Soft-Starter SSW-07 Identification Plate8
 2.4 Receiving and Storage 11

CHAPTER 3

Installation and Connection

3.1 Mechanical Installation12
 3.1.1 Environmental Conditions.....12
 3.1.2 Soft-Starter SSW-07 Dimensions12
 3.1.3 Mounting Specifications13
 3.1.3.1 Mounting Inside a Panel14
 3.1.3.2 Mounting on Surface15
 3.2 Electrical Installation.....15
 3.2.1 Power Terminals.....16
 3.2.2 Location of the Grounding, Control and Power
 Connections.....17
 3.2.3 Recommended Power and Grounding Cables18
 3.2.4 Power Supply Connection to the Soft-Starter SSW-07 18
 3.2.4.1 Power Supply Capacity19
 3.2.4.2 Recommended Fuses19
 3.2.4.3 Recommended Contactors20
 3.2.5 Soft-Starter SSW-07 Connection to the Motor20
 3.2.5.1 Standard Three-Wire Connection21
 3.2.6 Grounding Connections21
 3.2.7 Control and Signal Connections22
 3.3 Recommended Set-ups.....22
 3.3.1 Recommended Set-up with Command via Two-wire
 Digital Inputs and Isolation Contactor.....24
 3.3.2 Recommended Set-up with Command via Three-wire
 Digital Inputs and Circuit-Breaker.....24
 3.3.3 Symbols25

CHAPTER 4

Setting the SSW-07

4.1 Control Type Setting.....26
 4.2 Kick Start27
 4.3 Initial Voltage Setting.....27
 4.4 Current Limit Setting.....28

4.5 Acceleration Ramp Time Setting	29
4.6 Deceleration Ramp Time Setting	29
4.7 Motor Current Setting	30
4.8 Motor Electronic Overload Protection	31
4.9 Reset	34
4.10 DI2 Digital Input Setting	34
4.11 Output Relay Operation	35
4.12 Relay Output RL1 Programming	35

CHAPTER 5

Programming Information and Suggestions

5.1 Applications and Programming	36
5.1.1 Voltage Ramp Starting	37
5.1.2 Current Limit Starting	38
5.2 Protections and Programming	39
5.2.1 Suggestion on How to Program the Thermal Class	39
5.2.2 Time Reduction from Cold to Hot Starting	41
5.2.3 Service Factor	42

CHAPTER 6

Solutions and Troubleshooting

6.1 Faults and Possible Causes	44
6.2 Troubleshooting	47
6.3 Preventive Maintenance	48

CHAPTER 7

Options and Accessories

7.1 IP20 Kit	49
--------------------	----

CHAPTER 8

Technical Characteristics

8.1 Nominal Powers and Currents According to UL508	50
8.2 Nominal Powers and Currents for Standard IP55, IV Pole Weg Motor	50
8.3 Power Data	51
8.4 Electronics and Programming Data	51

SAFETY INSTRUCTIONS

This Manual contains the necessary information for the correct use of the Soft-Starter SSW-07.

It was written to be used by qualified personnel with suitable training or technical qualifications to operate this type of equipment.

1.1 SAFETY NOTICES IN THE MANUAL

The following safety notices will be used in the text.



DANGER!

The nonobservance of the procedures recommended in this warning can lead to death, serious injuries and considerable material damage.



ATTENTION!

Failure to observe the recommended procedures in this notice may lead to material damage.



NOTE!

The text intends to supply important information for the correct understanding and good operation of the product.

1.2 SAFETY NOTICES ON THE PRODUCT

The following symbols may be attached to the product as a safety notice.



High Voltages.



**Components are sensitive to electrostatic discharge.
Do not touch them.**



Mandatory connection to ground protection (PE).

1.3 PRELIMINARY RECOMMENDATIONS



DANGER!

Only personnel with suitable qualification and familiar with the Soft-Starter SSW-07 and associated equipment should plan or implement the installation, start-up, operation and maintenance of this equipment.

These personnel must follow all safety instructions in this manual and/ or defined by local regulations.

Failure to follow these safety instructions may result in personnel injury and/or equipment damage.



NOTE!

In this Manual, qualified personnel are those trained to:

1. Install, ground, power-up, and operate the Soft-Starter SSW-07 according to this manual and the required safety procedures;
2. Use protection equipment according to established regulations;
3. Give First Aid.



DANGER!

Always disconnect the general power supply before touching any electrical component associated to the Soft-Starter SSW-07.

High voltage may be present even after the power supply is disconnected. Wait at least 3 minutes for the total discharge of the capacitors.

Always connect the equipment's heatsink to the protection ground (PE), at the proper connection point.



ATTENTION!

All electronic boards have components that are sensitive to electrostatic discharges. Do not touch these components or connectors directly.

If necessary, first touch the grounded metallic heatsink or use a suitable grounded wrist strap.

Do not apply any high voltage test on the Soft-Starter SSW-07!
If necessary, contact the manufacturer.



NOTE!

Soft-Starters SSW-07 may interfere with other electronic equipment. Follow the measures in Chapter 3 to reduce these effects.



NOTE!

Read this manual completely before installing or operating the Soft-Starter SSW-07.

GENERAL INFORMATION

2.1 ABOUT THIS MANUAL

This manual presents the Soft-Starter installation, how to start it up, its main technical characteristics and how to identify and correct the most common problems. The manuals listed next must be consulted in order to get more information regarding the functions, accessories and working conditions:

- ☑ Programming Manual, with a detailed description of the parameters and its functions;
- ☑ RS232 / RS485 Communication Manual.
- ☑ DeviceNet Communication Manual.

These manuals are supplied in electronic format on the CD-ROM that accompanies the Soft-Starter, or can be obtained at WEG's web site: <http://www.weg.net>.

2.2 ABOUT THE SOFT-STARTER SSW-07

The Soft-Starter SSW-07 is a high performance product that permits the start control of the three phase AC induction motors. Thus, it prevents mechanical shocks on the load and current peaks in the supply line.

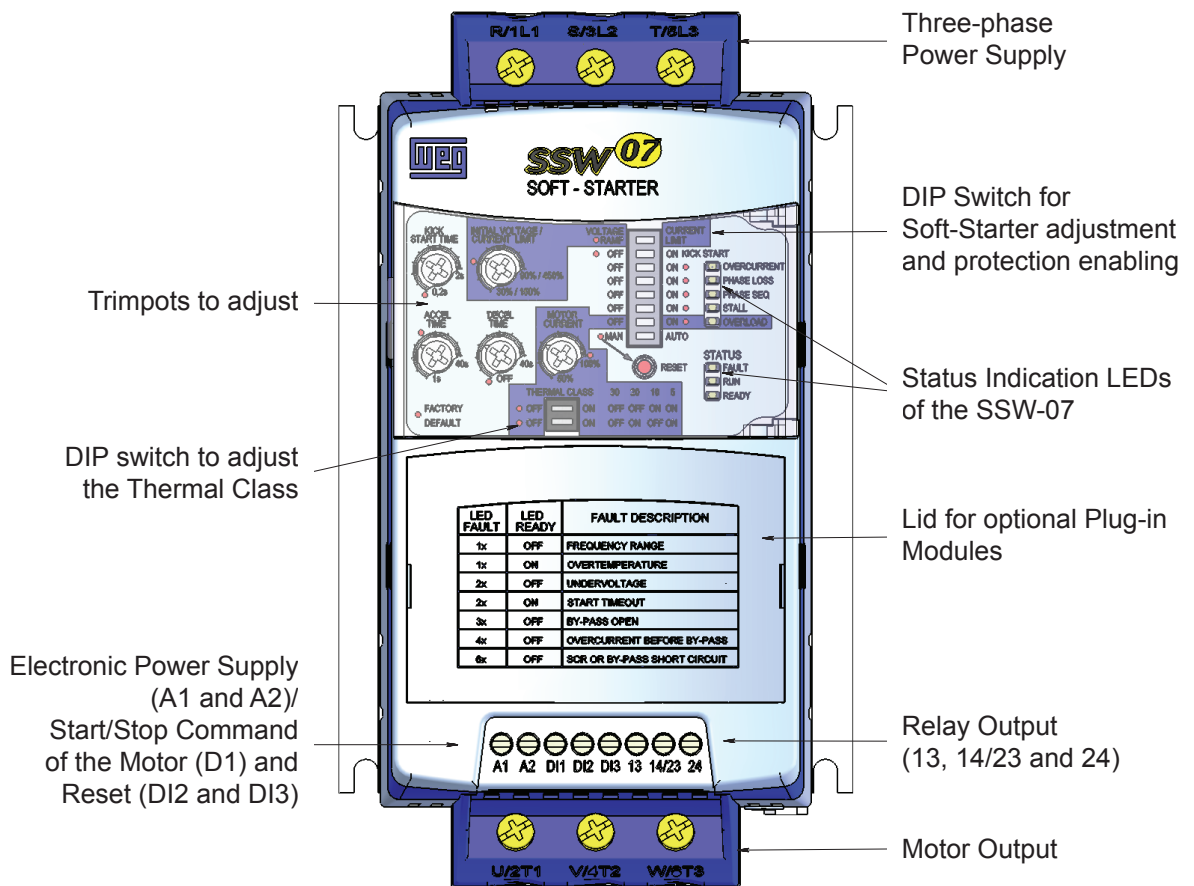


Figure 2.1 - Frontal view of the SSW-07

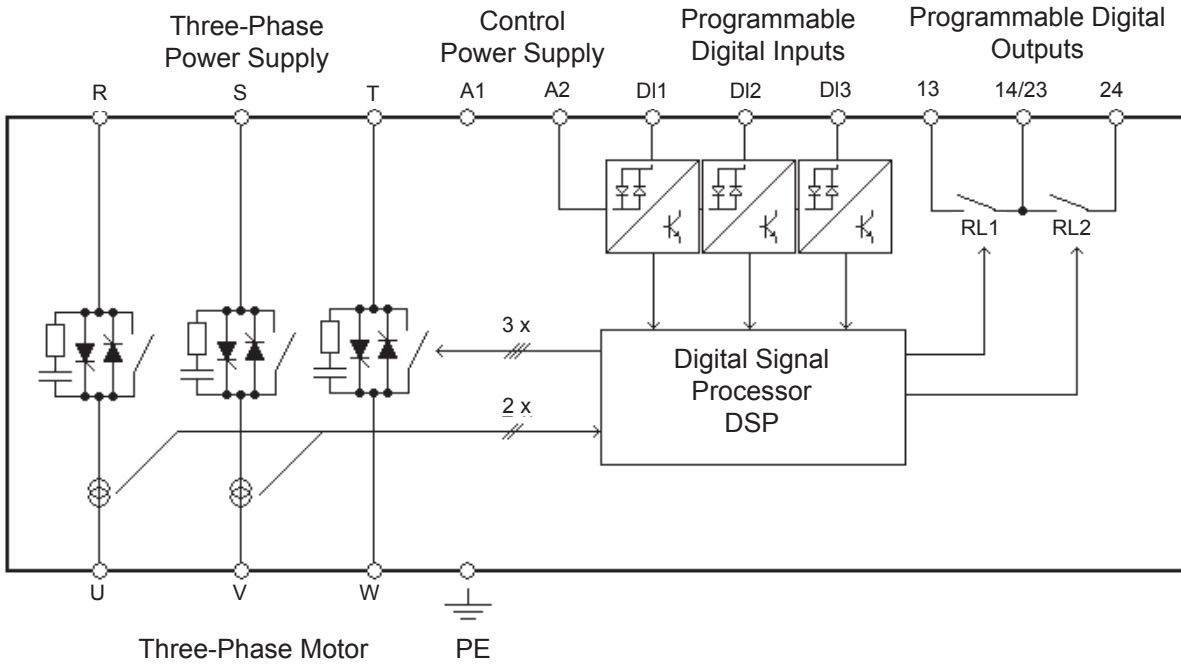


Figure 2.2 - Soft-Starter SSW-07 block diagram

2.3 SOFT-STARTER SSW-07 IDENTIFICATION PLATE

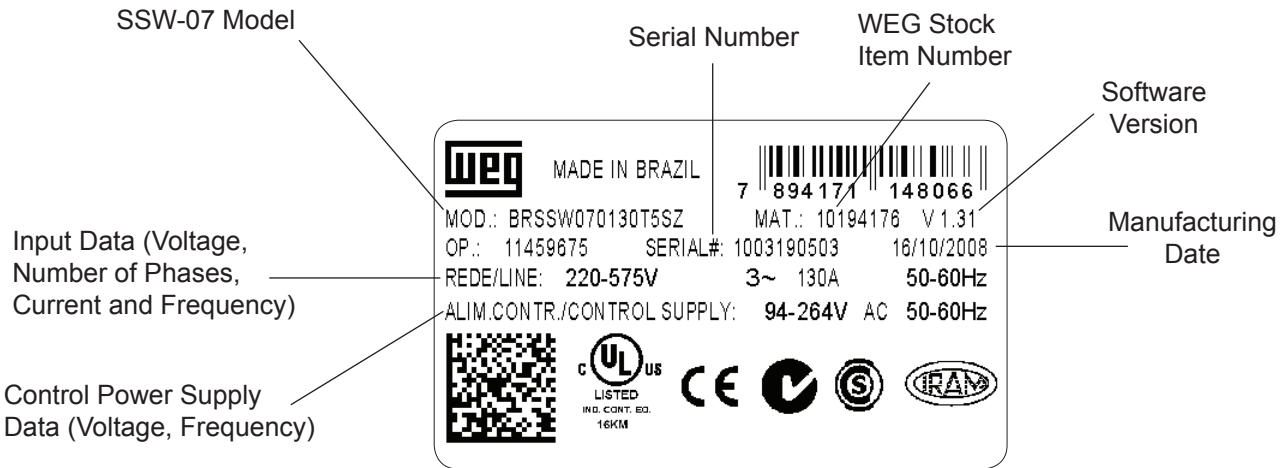


Figure 2.3 - Soft-Starter SSW-07 identification plate

Position of the Identification Plate on the Soft- Starter SSW-07:

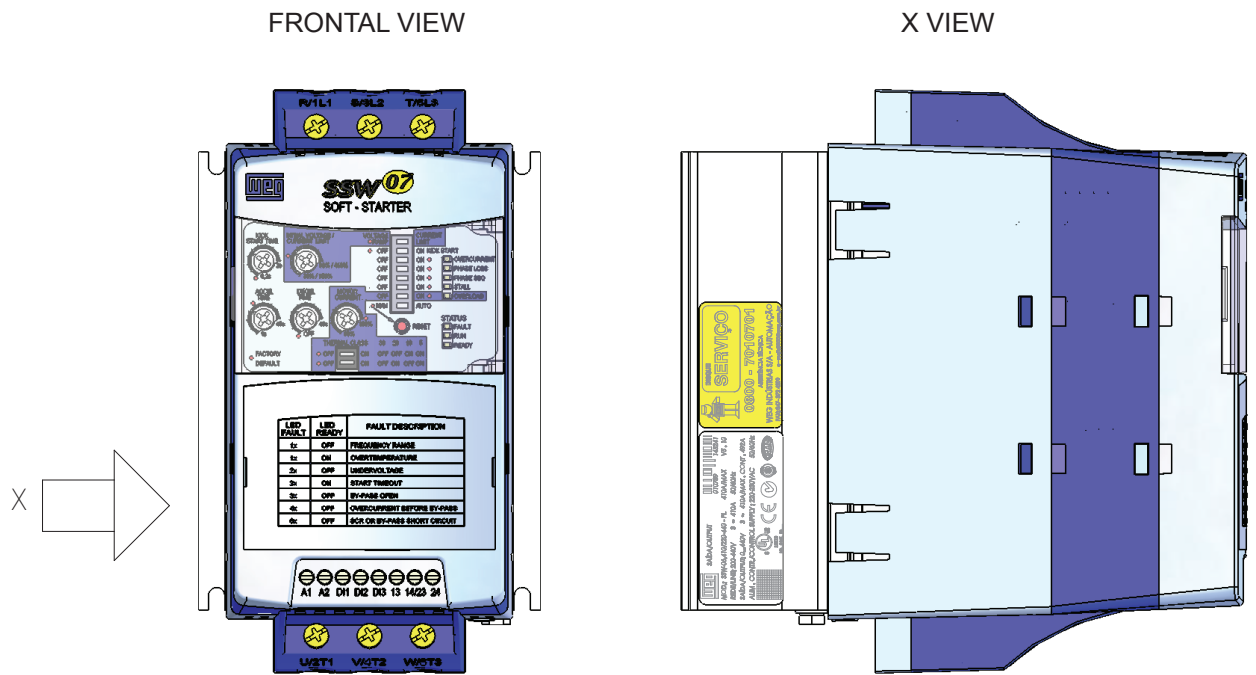


Figure 2.4 - Location of the labels

English

HOW TO SPECIFY THE SSW-07 MODEL:

EX	SSW07	0017	T	5	S	--	--	Z	
Market BR = Brazil EX = Export	WEG Soft-Starter Series SSW-07	SSW-07 Nominal Current 0017 = 17 A 0024 = 24 A 0030 = 30 A 0045 = 45 A 0061 = 61 A 0085 = 85 A 0130 = 130 A 0171 = 171 A 0200 = 200 A 0255 = 255 A 0312 = 312 A 0365 = 365 A 0412 = 412 A	Three-Phase Power Supply	220-575 Vac	Optional: S = Standard O = with Optional	Degree of Protection Blank = Standard IP=IP20 ⁽¹⁾	Special Hardware Blank = Standard H1 = Electronics supply: 110 to 130 Vac ⁽²⁾ H2 = Electronics supply: 208 to 240 Vac ⁽²⁾	Special Software Blank = Standard S1 = Special Software	End of Code

(1) Only for models 130 A to 412 A.

(2) Only for the 255 A to 412 A models.

NOTE!

The option field (S or O) defines if the Soft-Starter SSW-07 will be a standard version or if it will include any optional. If standard, the code ends here.

Always put the letter Z at the end. For example:

EXSSW070017T5SZ = Standard Soft-Starter SSW-07 with 17 A and 220 V to 575 V to three-phase input with the User's Guide in English, Spanish and Portuguese.

If there is any optional, the fields must be filled out in the correct sequence until the code is completed with the letter Z.

The standard product as defined by this code is described as:

- Degree of Protection: IP20 from 17 A to 85 A and IP00 from 130 A to 412 A.

2.4 RECEIVING AND STORAGE

The Soft-Starter SSW-07 is supplied in a cardboard box. On the outside of the package there is an identification plate which is identical to the one placed on the Soft-Starter SSW-07.

To open the package:

- 1- Put it on a table;
- 2- Open the package;
- 3- Take out the Soft-Starter.

Check if:

- The Identification plate of the Soft-Starter SSW-07 matches the model purchased:
- Damage has occurred during transport. If so, contact the carrier immediately.
- If the Soft-Starter SSW-07 is not installed immediately, store it in its package in a clean and dry place with temperature between -25 °C (-13 °F) and 65 °C (149 °F). 1 hour at -40 °C (-40 °F) is permitted.

SSW-07 Model	Height H mm (in)	Width L mm (in)	Depth P mm (in)	Volume cm ³ (in ³)	Weight kg (lb)
17 A 24 A 30 A	221 (8.70)	180 (7.09)	145 (5.71)	5768 (352.2)	1.65 (3.64)
45 A 61 A 85 A	260 (10.24)	198 (7.80)	245 (9.65)	12613 (770.8)	3.82 (8.42)
130 A 171 A 200 A	356 (14.02)	273 (10.75)	295 (11.61)	28670 (1750)	8.36 (18.43)
255 A 312 A 365 A 412 A	415 (16.34)	265 (10.43)	320 (12.6)	35192 (2147)	12.8 (28.2)

Table 2.1 - Dimensions of the package in mm (in)

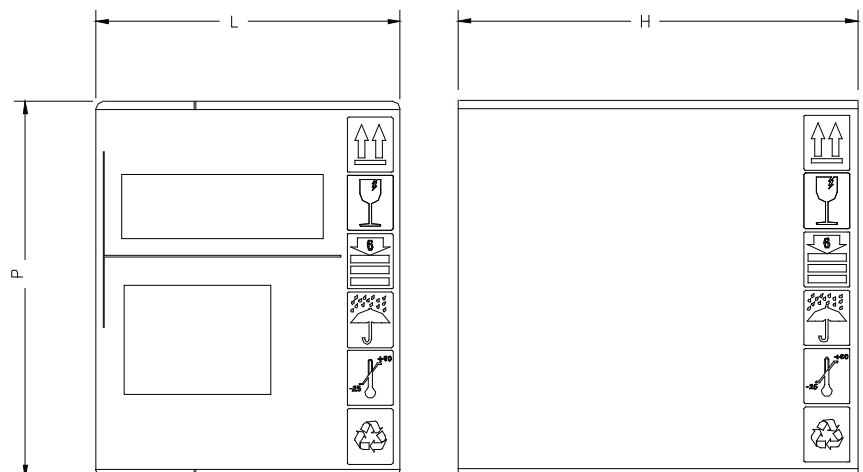


Figure 2.5 - Dimensions of the package

INSTALLATION AND CONNECTION

This chapter describes the procedures for the electrical and mechanical installation of the Soft-Starter SSW-07. The guidelines and suggestions must be followed for the correct operation of the Soft-Starter SSW-07.

3.1 MECHANICAL INSTALLATION

3.1.1 Environmental Conditions

The location of the Soft-Starters SSW-07 is an important factor to assure the correct operation and high product reliability.

Avoid:

- ☑ Direct exposure to sunlight, rain, high moisture and sea air ;
- ☑ Exposure to explosive or corrosive gases and liquids;
- ☑ Exposure to excessive vibration, dust or any metallic and/or oil particles in the air.

Allowed Environmental Conditions:

- ☑ Surrounding air Temperature: 0 °C to 55 °C (32 °F to 131 °F) - nominal conditions.
- ☑ Relative air moisture: 5 % to 90 %, with no-condensation.
- ☑ Maximum altitude: 1,000 m (3,300 ft) above sea level - nominal conditions.
 From, 1,000 m to 4,000 m (3,300 ft to 13,200 ft) above sea level - current reduction of 1 % for each 100 m (330 ft) above 1,000 m (3,300 ft).
 From 2000 m to 4000 m (6,600 ft to 13,200 ft) above sea level - voltage reduction of 1.1 % for each 100m (330 ft) above 2,000 m (6,600 ft).
- ☑ Pollution degree: 2 (according to the UL508).
 Normally, only non conductive pollution. Condensation must not cause conduction in the particles in the air.

3.1.2 Soft-Starter SSW-07 Dimensions

The external dimensions and mounting holes are shown in figure 3.1 and table 3.1 below.

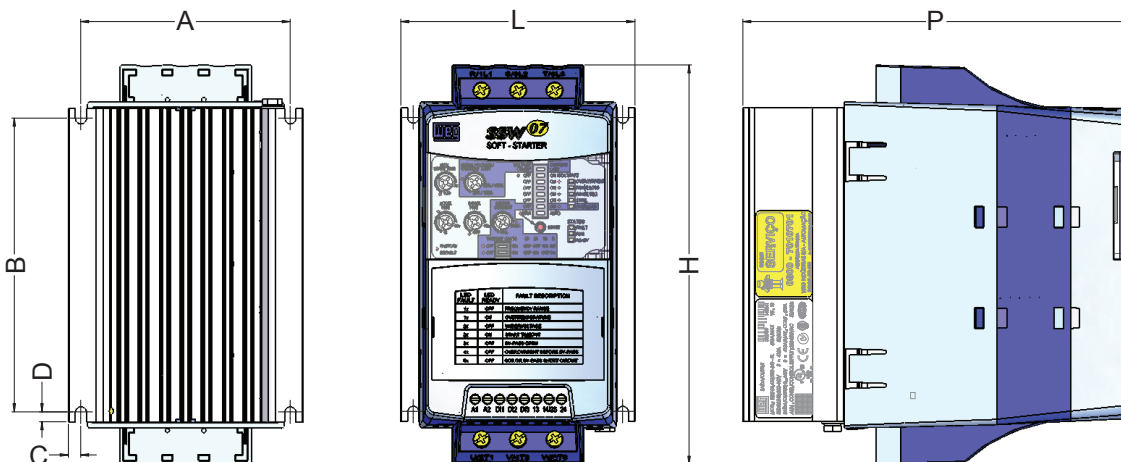


Figure 3.1 - SSW-07 dimensions

SSW-07 Model	Height H mm (in)	Width L mm (in)	Depth P mm (in)	A mm (in)	B mm (in)	C mm (in)	D mm (in)	Mounting Screw	Weight kg (lb)	Degree of Protection
17 A 24 A 30 A	162 (6.38)	95 (3.74)	157 (6.18)	85 (3.35)	120 (4.72)	5 (0.20)	4 (0.16)	M4	1.3 (2.9)	IP20
45 A 61 A 85 A	208 (8.19)	144 (5.67)	203 (7.99)	132 (5.2)	148 (5.83)	6 (0.24)	3.4 (0.13)	M4	3.3 (7.28)	IP20
130 A 171 A 200 A	276 (10.9)	223 (8.78)	220 (8.66)	208 (8.19)	210 (8.27)	7.5 (0.3)	5 (0.2)	M5	7.6 (16.8)	IP00 *
255 A 312 A 365 A 412 A	331 (13.0)	227 (8.94)	242 (9.53)	200 (7.87)	280 (11.0)	15 (0.59)	9 (0.35)	M8	11.5 (25.4)	IP00 *

* IP20 with optional.

Table 3.1 - Installation data with dimensions in mm (in)

3.1.3 Mounting Specifications

To install the Soft-Starter SSW-07 leave at least the free spaces surrounding the Soft-Starter as in figure 3.2 below. The dimensions of these free spaces are described in table 3.2.

SSW-07 Model	A mm (in)	B mm (in)	C mm (in)
17 A 24 A 30 A	50 (2)	50 (2)	30 (1.2)
45 A 61 A 85 A	80 (3.2)	80 (3.2)	30 (1.2)
130 A 171 A 200 A	100 (4)	100 (4)	30 (1.2)
255 A 312 A 365 A 412 A	150 (6)	150 (6)	30 (1.2)

Table 3.2 - Recommended free spaces

Install the Soft-Starter SSW-07 in the vertical position according to the following recommendations:

- 1) Install on a reasonably flat surface;
- 2) Do not put heat sensitive components immediately above the Soft-Starter SSW-07.



ATTENTION!

If a Soft-Starter SSW-07 is installed on top of another use the minimum distance A + B and diverge from the top Soft-Starter the hot air that comes from the one beneath it.



ATTENTION!

Independent conduits or cable trays must be planned for physic separation of signal, control and power cables. (Refer to item 3.2 Electric Installation).

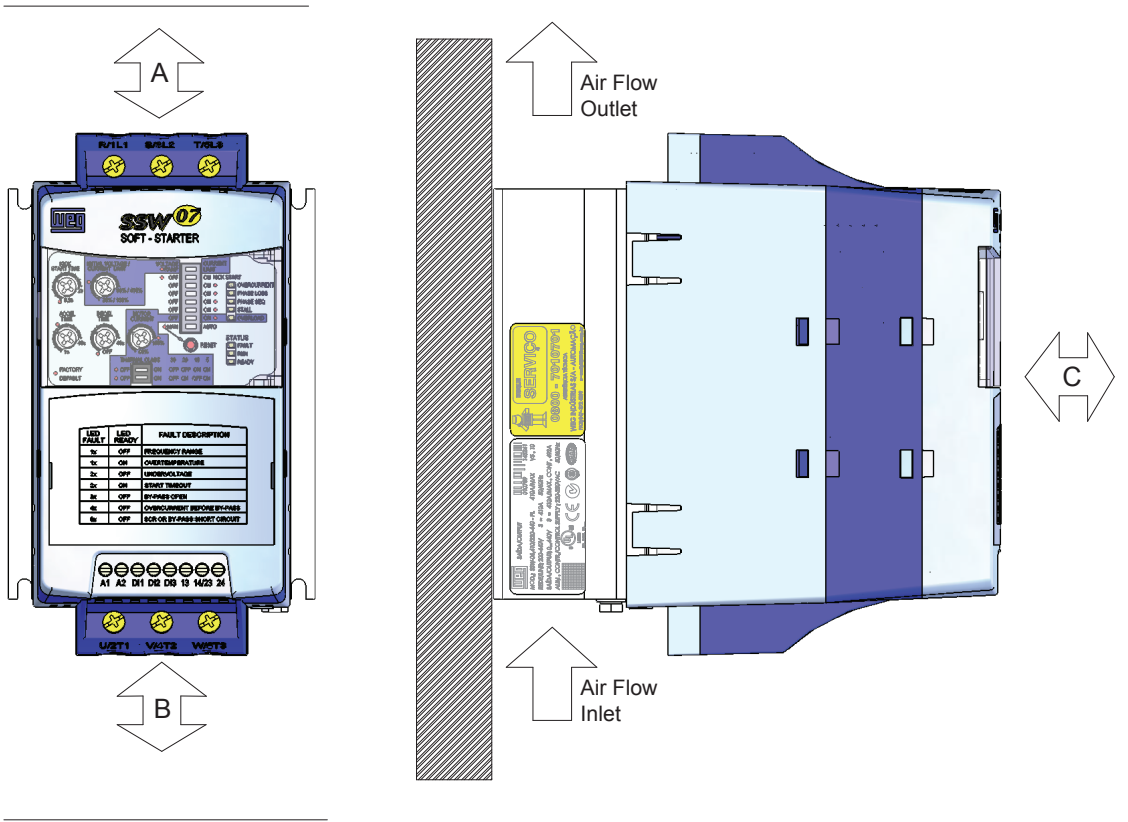


Figure 3.2 - Free spaces for ventilation

3.1.3.1 Mounting Inside a Panel

For Soft-Starters SSW-07 installed in panels or closed metallic boxes exhaustion/cooling is required so the temperature does not exceed the maximum allowed. Refer to dissipated nominal power in table 3.3.

SSW-07 Model	Dissipated Power in the electronics (W)	Average Power dissipated 10 starts/h 3 x In @ 30 s (W)	Total Average Power dissipated 10 starts/h 3 x In @ 30 s (W)
17 A	12	15.3	27.3
24 A	12	21.6	33.6
30 A	12	27	39
45 A	12	41	53
61 A	12	55	67
85 A	12	77	89
130 A	12	117	129
171 A	12	154	166
200 A	12	180	192
255 A	12	230	242
312 A	12	281	293
365 A	12	329	341
412 A	12	371	383

Table 3.3 - Dissipated power for ventilator panel dimensioning

3.1.3.2 Mounting on Surface

Figure 3.3 shows the installation of the Soft-Starter SSW-07 on the surface of a mounting plate.

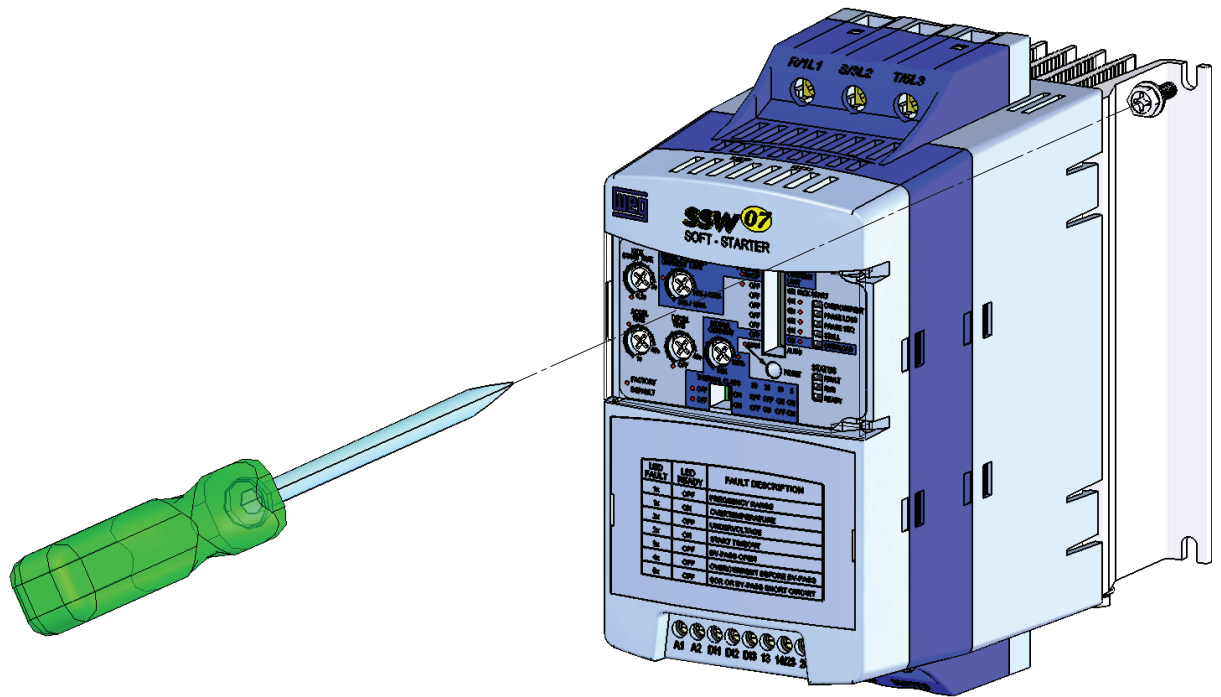


Figure 3.3 - Installation procedures of the Soft-Starter SSW-07 on a surface

3.2 ELECTRICAL INSTALLATION



DANGER!

The Soft-Starter SSW-07 cannot be used as an emergency stop device.



DANGER!

Be sure that the AC input power is disconnected before making any terminal connection.



ATTENTION!

The information below may be used as a guide to achieve a proper installation. Follow also the applicable local standards for electrical installations.



ATTENTION!

If a power isolating contactor or circuit breaker with minimum voltage coil is not used at the first power on, then power up the electronics first, adjust the trimpots that are necessary to put the SSW-07 into operation and only after this energize the power section.

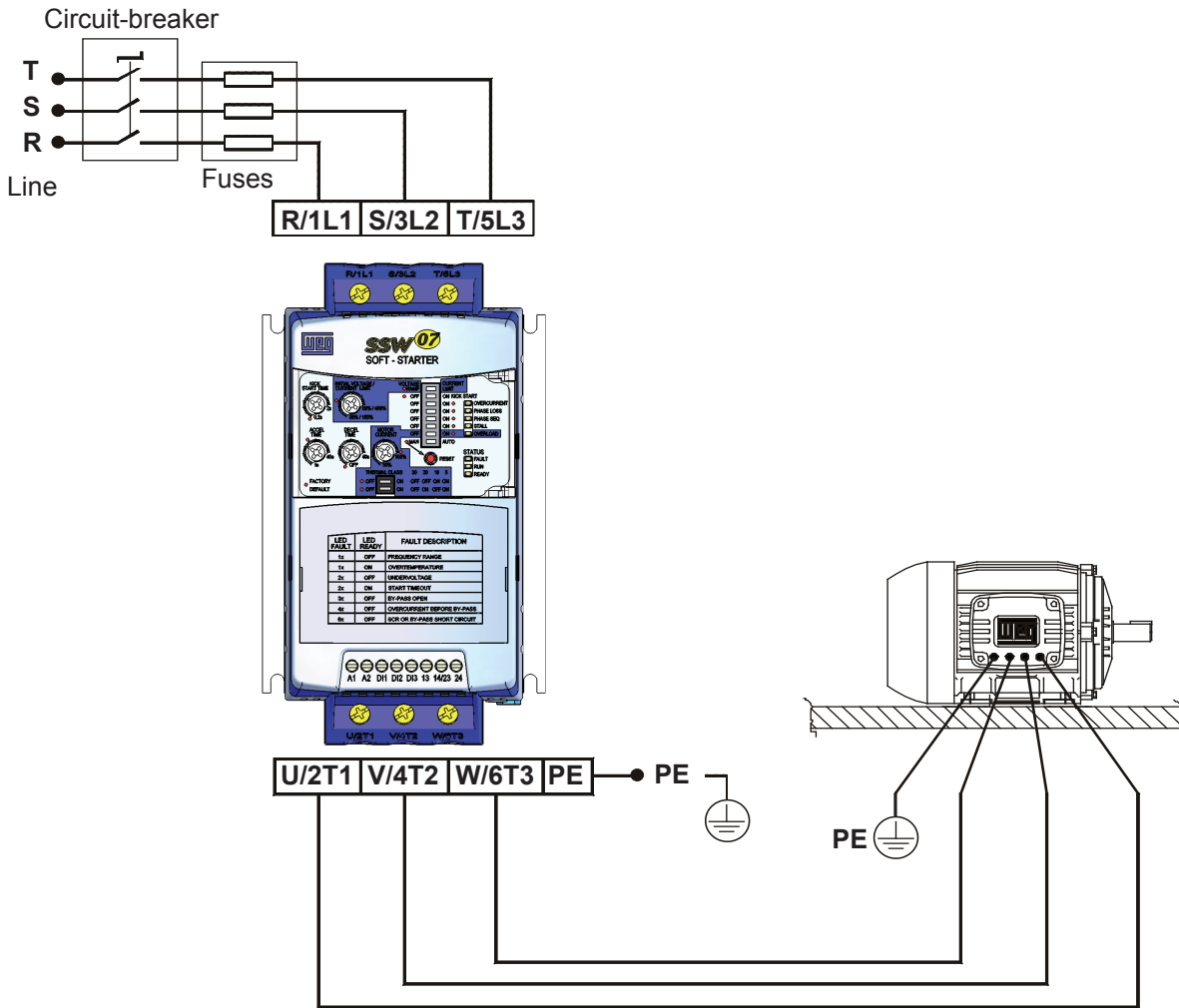


Figure 3.4 - Standard power/grounding connections

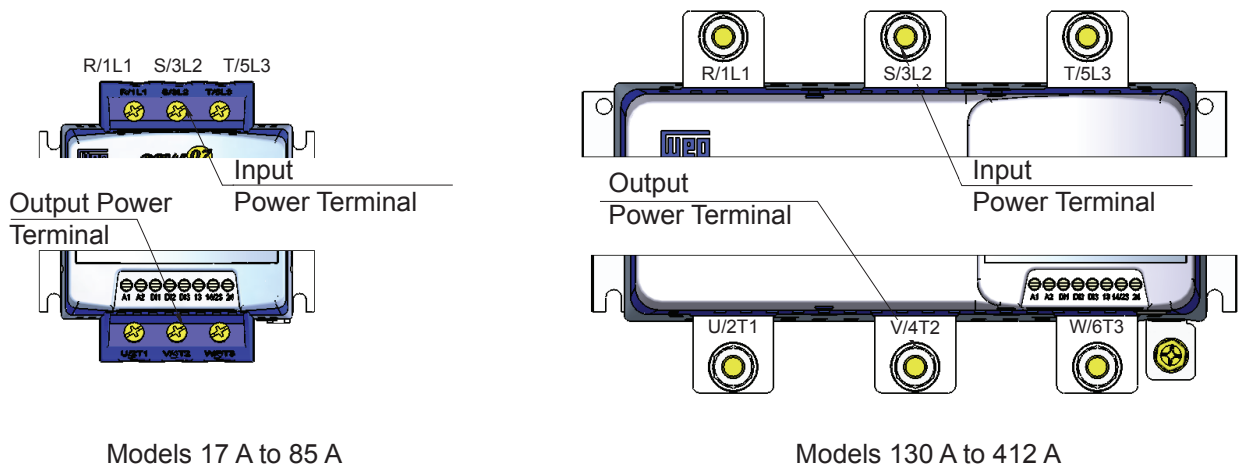
3.2.1 Power Terminals

The power terminal blocks vary in size and configuration, depending on the SSW-07 soft-starter model, as can be observed at the figures 3.5 and 3.6.

Terminals:

R / 1L1, S / 3L2 and T / 5L3: AC supply line.

U / 2T1, V / 4T2 and W / 6T3: Motor connection.



Models 17 A to 85 A

Models 130 A to 412 A

Figure 3.5 - Power terminals

SSW-07 Model	Enclosure Size	Line / Motor		Grounding	
		Screw/ Terminal	Torque Nm (in lb)	Screw	Torque Nm (in lb)
17 A 24 A 30 A	Size 01	Terminal	3 (27)	M4 (5/32")	4.5 (40)
45 A 61 A 85 A	Size 02	Terminal	5.5 (49)	M5 (3/16")	6 (53)
130 A 171 A 200 A	Size 03	M8 (5/16")	19 (168)	M6 (1/4")	8.3 (73)
255 A 312 A 365 A 412 A	Size 04	M10 (3/8")	37 (328)	Terminal	0.5 (4.5)

Table 3.4 - Maximum torque for power connection

3.2.2 Location of the Grounding, Control and Power Connections

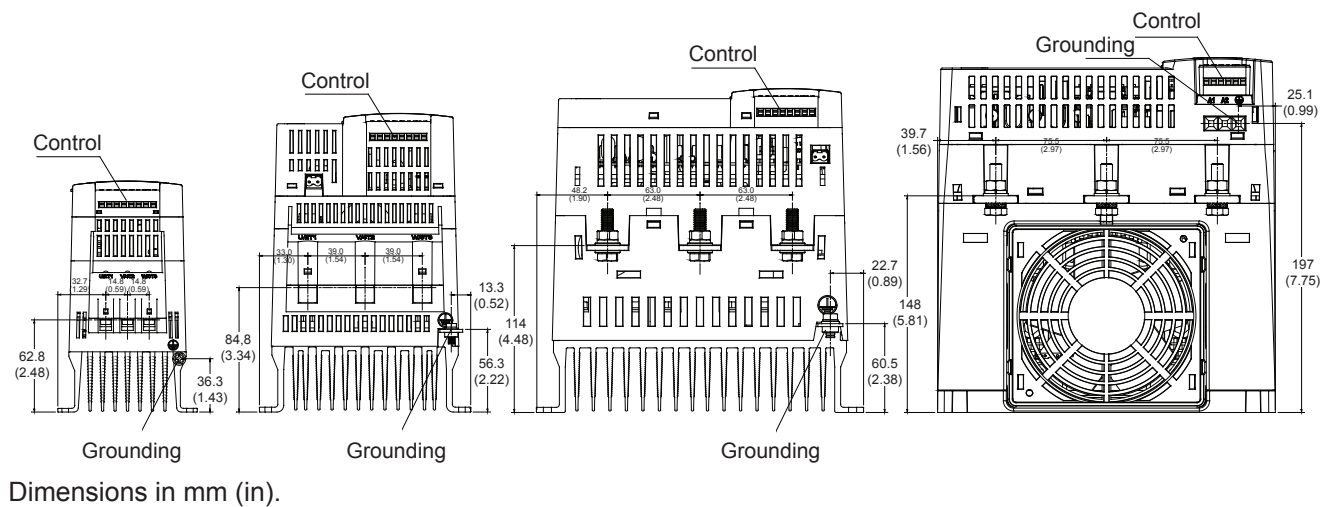


Figure 3.6 - Location of the grounding, control and power connections

English

3.2.3 Recommended Power and Grounding Cables

The described specifications in table 3.5 are valid only for the following conditions:

- ☑ Copper wires for 70 °C (158 °F) with PVC insulation for ambient temperature of 40 °C (104 °F), installed in perforated and not agglomerated conduits.
- ☑ Naked or silver coated copper busbars with round edges with 1 mm radius with ambient temperature of 40 °C (104 °F) and bus temperature of 80 °C (176 °F).



NOTE!

For correct cable dimensioning, consider the installation condition and the maximum permitted line voltage drop.

SSW-07 Model	Power Cable		Grounding Cable	
	(mm ²)	AWG	(mm ²)	AWG
17 A	2.5	14	4	12
24 A	4	12	6	10
30 A	6	10	6	10
45 A	10	8	6	10
61 A	16	6	10	8
85 A	25	3	10	8
130 A	50	1/0	25	3
171 A	70	2/0	35	2
200 A	95	4/0	50	1/0
255 A	120	250 kcmil	2.5	14
312 A	185	400 kcmil	2.5	14
365 A	240	500 kcmil	2.5	14
412 A	240	600 kcmil	2.5	14

Table 3.5 - Minimum cable gauge specification

3.2.4 Power Supply Connection to the Soft-Starter SSW-07



DANGER!

The AC input must be compatible with the voltage range of the Soft-Starter SSW-07.



DANGER!

Provide a power supply disconnecting switch for the Soft-Starter SSW-07. This disconnecting switch must disconnect the AC input voltage to the Soft-Starter SSW-07 whenever necessary (for example: during maintenance services).

If a disconnected switch or a contactor is inserted in the motor supply line never operate these devices with the motor running or when the Soft-Starter SSW-07 is enabled.



ATTENTION!

The overvoltage control in the line that feeds the soft-starter must be done using overvoltage suppressors with a clamping voltage of 680 Vac (phase-to-phase connection) and an energy absorption capability of 40 joules (17 A to 200 A models) and 80 joules (255 A to 412 A models).



NOTE!

Use the wire sizes and fuses recommended in tables 3.5 and 3.7. The connector tightening torque is indicated in table 3.4. Use only copper wires 70 °C (158 °F).

3.2.4.1 Power Supply Capacity

The Soft-Starter SSW-07 is suitable to be used in a circuit capable of supplying not more than X (according to table 3.6) symmetrical rms amperes, Y maximum volts when protected by ultra-rapid fuses.

SSW-07 Model	Y = 220-575 V X (kA)
17 A	5
24 A	5
30 A	5
45 A	5
61 A	5
85 A	10
130 A	10
171 A	10
200 A	10
255 A	18
312 A	18
365 A	18
412 A	30

Table 3.6 - Maximum current capacity of the power supply

3.2.4.2 Recommended Fuses

High speed fuses must be used at the input, which will protect the SSW-07 against short circuit. It is possible to use other protection devices that will protect the installation; however, in that case the SSW-07 will remain unprotected.

SSW-07 Model	Nominal Current (A)	Maximum I ² t (10 ³ x A ² s)
17 A	50	0.57
24 A	80	3.2
30 A	80	3.2
45 A	100	6.4
61 A	125	8.4
85 A	200	40.9
130 A	315	77.6
171 A	450	134
200 A	500	196
255 A	400	72.5
312 A	500	190
365 A	550	190
412 A	700	256

Table 3.7 - Recommended fuses

3.2.4.3 Recommended Contactors When the SSW07 is used in applications that require an isolator contactor, according to the figure 3.10 (K1), the use of WEG contactors is recommended.

SSW-07 Model	WEG Contactor
17 A	CWM18
24 A	CWM25
30 A	CWM32
45 A	CWM50
61 A	CWM65
85 A	CWM95
130 A	CWM150
171 A	CWM180
200 A	CWM250
255 A	CWM250
312 A	CWM300
365 A	CWME400
412 A	CWME400

Table 3.8 - Recommended contactors

3.2.5 Soft-Starter SSW-07 Connection to the Motor



DANGER!

Power factor correction capacitors must never be installed at the output of the Soft-Starter SSW-07. (U / 2T1, V / 4T2 and W / 6T3).



ATTENTION!

To ensure that the protections based on the current reading and display operate correctly, for example the overload, the motor nominal current must not be lower than 50 % of the nominal Soft-Starter SSW-07 current.



NOTE!

Use the wire sizes and fuses recommended in tables 3.5, 3.6 and 3.7. The connector tightening torque is indicated in table 3.4. Use only copper wires.



NOTE!

The Soft-Starter SSW-07 is provided with electronic protection against motor overload. This protection must be set according to the specific motor. When several motors are connected to the same Soft-Starter SSW-07 use individual overload relays for each motor.

3.2.5.1 Standard Three-Wire Connection

Line current of the Soft-Starter SSW-07 is equal to the motor current.

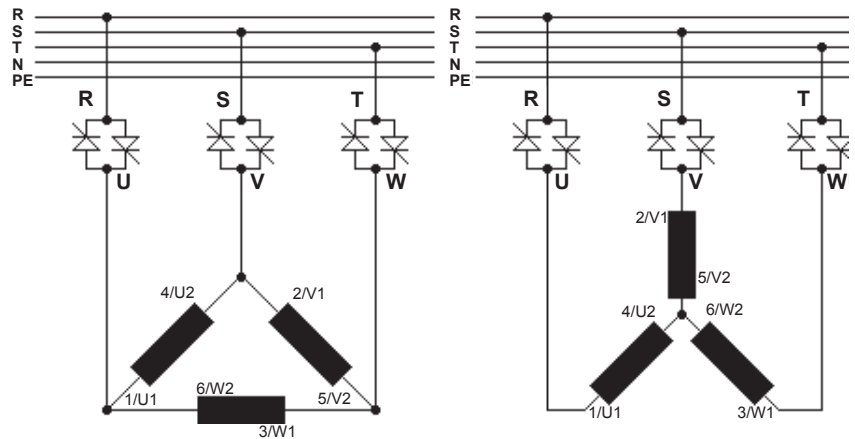


Figure 3.7 - Soft-Starter SSW-07 with standard connection

3.2.6 Grounding Connections



DANGER!

The Soft-Starter must be grounded for safety purposes (PE). The ground connection must comply with the local regulations. Make the ground connection to a grounding bar or to the general grounding point (resistance ≤ 10 ohms).



DANGER!

The AC input for the Soft-Starter SSW-07 must have a ground connection.



DANGER!

Do not use the neutral conductor for grounding purpose. Use dedicated ground conductor.



ATTENTION!

Do not share the ground wiring with other equipment that operate with high current (for examples: high voltage motors, welding machines, etc.). When several Soft-Starters SSW-07 are used, observe the connections in the figure 3.8.

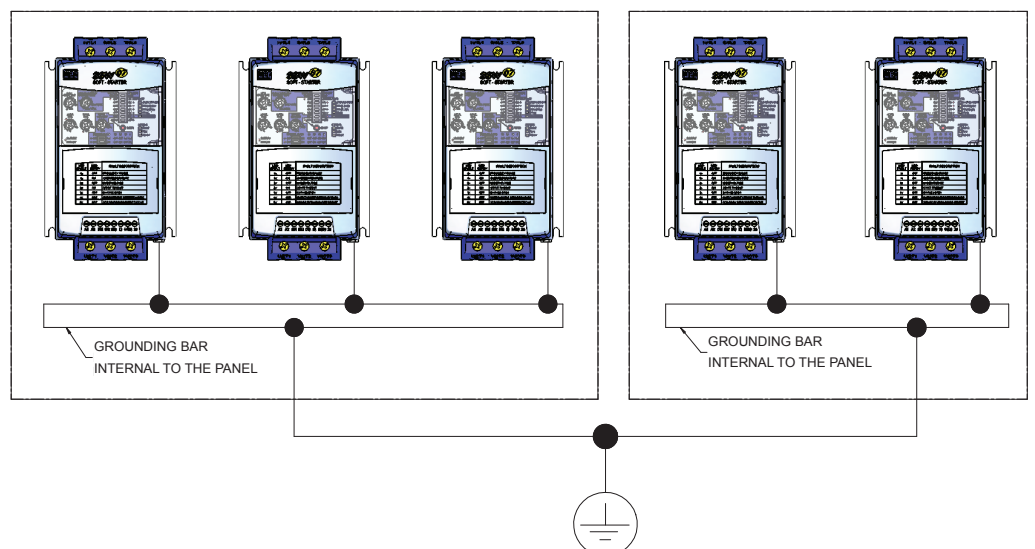


Figure 3.8 - Grounding connections for more than one Soft-Starter SSW-07

EMI - Electronic Interference

The Soft-Starter SSW-07 is developed to be used in industrial systems (Class A) according to Standard EN60947-4-2.

It's necessary to have a distance of 0.25 m (10 in) between the Soft- Starter SSW-07 control cables and motor cables.

Example: PLC wiring, temperature controllers, thermocouple cables, etc.

Grounding of the Motor frame

Always ground the motor frame. The Soft-Starter SSW-07 output wiring to the motor must be installed separately from the input wiring as well as from the control and signal wiring.

English

3.2.7 Control and Signal Connections

The control connections (digital inputs and relay outputs) are made through the terminals (refer to figure 3.9).


Terminal	Description	Specifications	Torque Nm (in lb)
A1	Electronics Supply	Voltage: 110 to 240 Vac (-15 % to +10 %) (models from 17 A to 200 A) 110 to 130 Vac or 208 to 240 Vac (-15 % to 10 %) (models from 255 A to 412 A).	0.5 (4.5)
A2			
	Grounding	Only for the 255 to 412 A models	
Terminal	Factory Default	Specifications	
DI1	Starts/Stops Motor	3 isolated digital inputs Voltage: 110 to 240 Vac (-15 % to +10 %) Current: 2 mA Max.	
DI2	Fault reset		
DI3	Fault reset		
13	Relay 1 output - Operation	Contact capacity: Voltage: 250 Vac Current: 1 A	
14/23	Relay common point		
24	Relay 2 output - Full voltage		

Table 3.9 - Description of the control connector pins

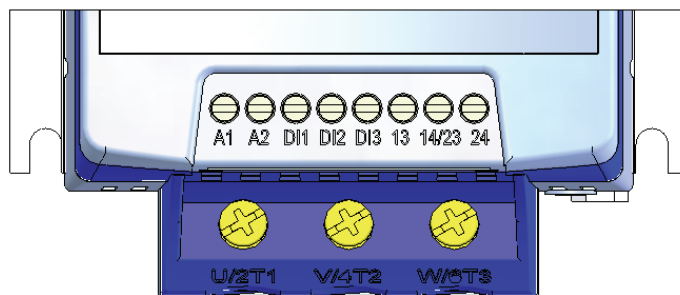


Figure 3.9 - Control terminals of the Soft-Starter SSW-07

3.3 RECOMMENDED SET-UPS

Some recommended set-ups are shown here and they can be completely or partly used.

The main warning notes for all the recommended set-ups are shown below and are described in the schemes by their respective numbers.

**NOTES!**

- ① The use of fuses or circuit breakers at the input circuit is necessary for the entire installation protection. It is not necessary to use ultra-fast fuses for the SSW-07 operation; however, their use is recommended for the soft-starter complete protection.
- ② The transformer “T1” is optional and must be used when there is a difference between the line voltage and the electronic power voltage.
- ③ In case that damage at the SSW-07 Soft-Starter power circuit keeps the motor running (e.g., shorted thyristors), the motor protection is obtained with the use of the power isolating contactor (K1) or circuit breaker (Q1).
- ④ Start push-button.
- ⑤ Stop push-button.
- ⑥ Start/Stop switch. Bear in mind that when using two-wire digital input command (normally open switch with retention), in case of a power interruption, upon return of power, the motor will be started immediately if the switch remains closed.
- ⑦ In case of maintenance of the Soft-Starter SSW-07 or the motor it is necessary to remove the input fuses or disconnect the power supply to ensure the complete equipment disconnection from the power supply.
- ⑧ The emergency stop can be used by disconnecting the electronics power supply.
- ⑨ Undervoltage release for the Q1 power isolation circuit breaker.

3.3.1 Recommended Set-up with Command via Two-wire Digital Inputs and Isolation Contactor

Refer to notes in item 3.3.

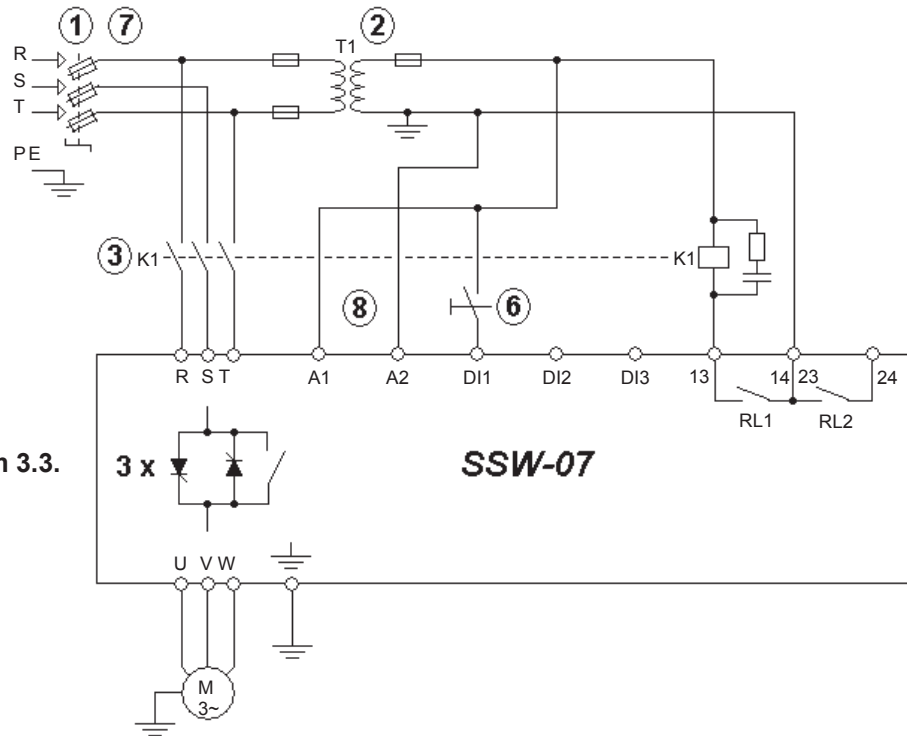


Figure 3.10 - Recommended set-up with commands via two-wire digital inputs and isolation contactor

3.3.2 Recommended Set-up with Command via Three-wire Digital Inputs and Circuit-Breaker

Refer to notes in item 3.3.

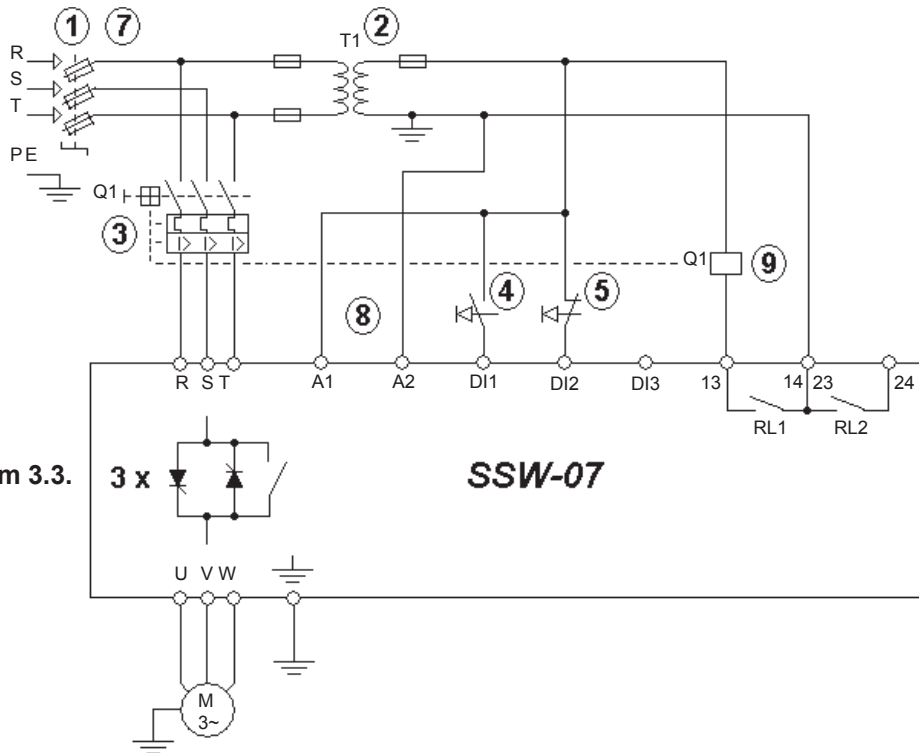


Figure 3.11 - Recommended set-up with commands via three-wire digital inputs and a circuit-breaker



NOTE!



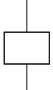


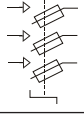

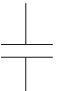
It's necessary to program the digital input DI2 for the three-wire command function. Refer to item 4.10.



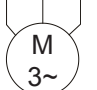


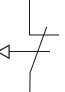

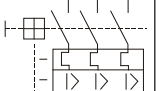


NOTE!

The RL1 shall be set to the "No fault" function. Refer to item 4.12.

3.3.3 Symbols

	Electrical connection between two signals
	Connection terminals
	Relay or contactor coil
	Normally open contact (NO)
	Indicator light
	Circuit-breaker (opens under load)
	Resistor
	Capacitor

	Fuse
	Thyristor/SCR
	Three-phase motor
	Transformer
	N.O Contact (with retention)
	Normally closed (NC) push-button
	Normally open (NO) push-button
	Circuit-breaker with undervoltage release

SETTING THE SSW-07

This chapter describes how to make the necessary settings for the correct functioning of the SSW-07.

4.1 CONTROL TYPE SETTING

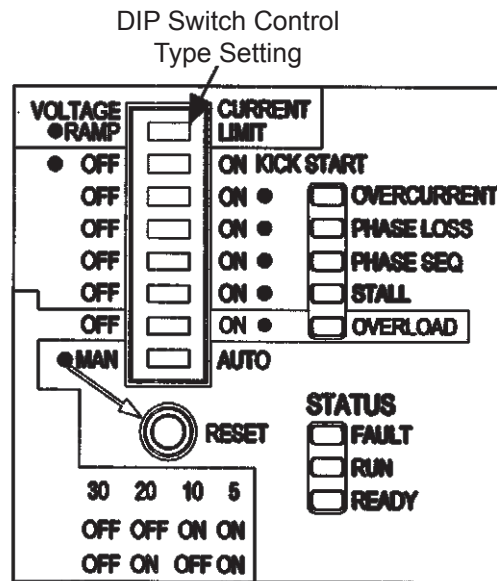


Figure 4.1 - Control type setting

Select the type of starting control that best adapts to the application.

Voltage Ramp Starting:

This is the most commonly used method. Very easy to program and set.

The Soft-Starter SSW-07 imposes the voltage applied to the motor. Generally applied to loads with a lower initial torque or a square torque.

This kind of control can be used as an initial working test.

Current Limit Starting:

The maximum current level is maintained during the start, being set according to the application necessities.

Generally applied to loads with a higher initial torque or a constant torque.

This kind of control is used to adapt the start to the capacity limits of the supply network.

4.2 KICK START

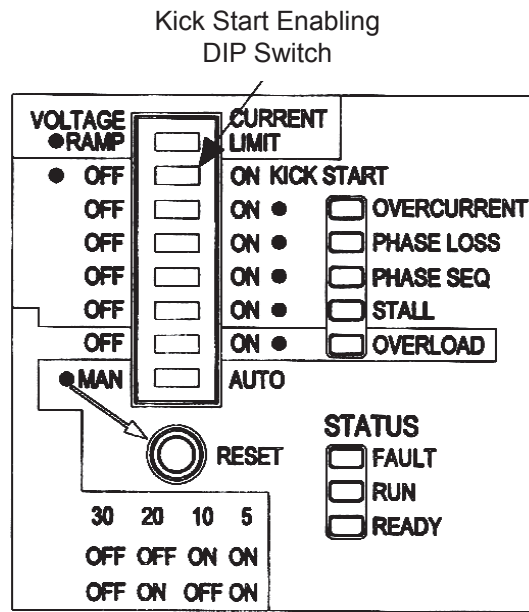


Figure 4.2 - Kick Start enabling

Soft-Starter SSW-07 offers a Kick Start function for loads that present a large initial resistance to movement.

This function is enabled through the Kick Start DIP Switch. The duration of the voltage pulse is set through the trimpot Kick Start Time.

The voltage pulse applied is of 80 % U_n during the programmed trimpot Kick Start Time.



NOTE!

Use this function only for specific applications and where necessary.

4.3 INITIAL VOLTAGE SETTING

Set the initial voltage to a value that the motor starts to run as soon as the start command is given to the SSW-07.

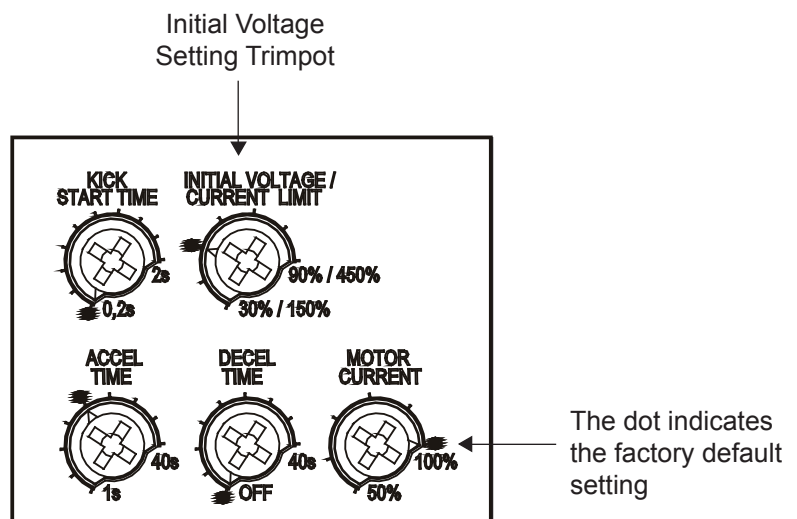


Figure 4.3 - Initial voltage setting

English



NOTE!

The Initial Voltage trimpot has an initial voltage setting function only when the kind of control is programmed to start with a voltage ramp.

4.4 CURRENT LIMIT SETTING

This setting defines the maximum limit of the current during motor starting in percentage of the nominal current of the Soft-Starter. If the current limit is reached during the start of the motor, Soft-Starter SSW-07 will maintain the current at this limit until the motor reaches nominal speed.

If the current limit is not reached, the motor will start immediately. The current limitation should be set to a level that the motor acceleration can be observed, otherwise the motor will not start.

English

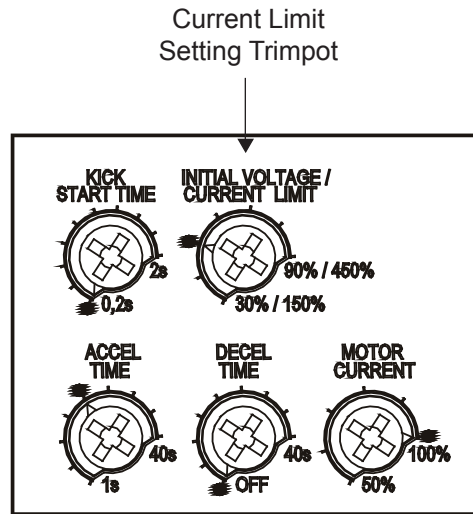


Figure 4.4 - Current limit setting



NOTES!

If at the end of the acceleration ramp (set at the Trimpot Acceleration Time), full voltage is not reached, a start timeout Fault will be shown. This fault is indicated through the Fault LED flashing twice with the Ready LED on.

The trimpot Current Limit has a Current Limit setting function only when the kind of control is programmed to start with a Current Limit.

4.5 ACCELERATION RAMP TIME SETTING

When Soft-Starter SSW-07 is programmed to Voltage Ramp control, this is the voltage increment ramp time.

When Soft-Starter SSW-07 is programmed to Current Limit control, this time is used as the maximum starting time, working as a protection against blocked rotors.

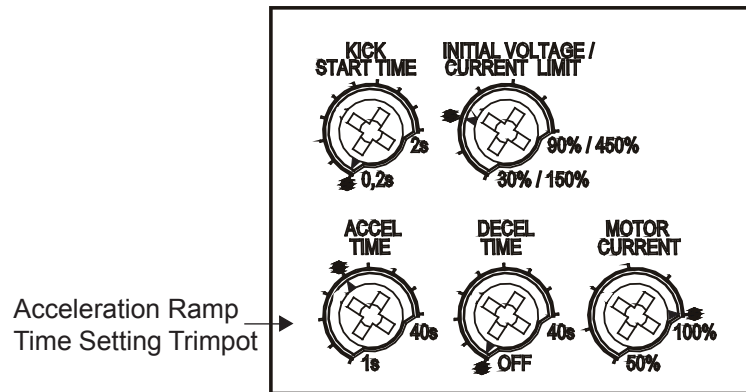


Figure 4.5 - Acceleration ramp time setting



NOTE!

The programmed acceleration time is not the exact motor acceleration time, but the time of the voltage ramp or the maximum starting time. The motor acceleration time depends on the motor characteristics and the load.

Please consider that in cases where the relation of the SSW-07 current and the motor nominal current is 1.00, the maximum time that the SSW-07 can work with 3 x I_n is 30 seconds.

4.6 DECELERATION RAMP TIME SETTING

Enables and sets the time of voltage decrease. This setting should be used only for the deceleration of pumps to reduce the water hammer. This setting must be made to achieve the best pump performance.



NOTE!

This function is used to lengthen the normal deceleration time of a load and not to force a lower time than that imposed by the load itself.

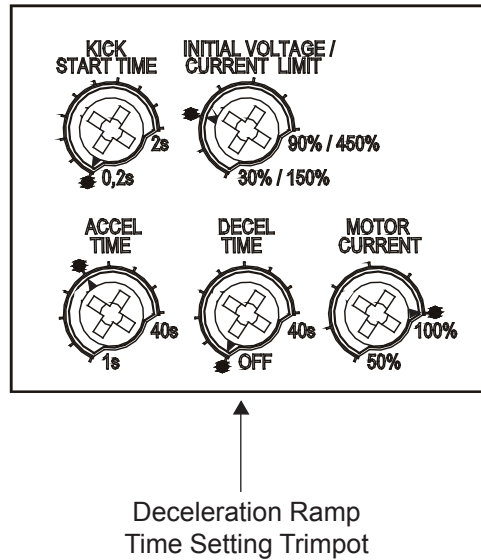


Figure 4.6 - Deceleration ramp time setting

4.7 MOTOR CURRENT SETTING

This setting defines the ratio of the SSW-07 current and the motor current. The value of the setting is very important since it defines the protection of the motor driven by the SSW-07. The setting of this function interferes directly in the following motor protections:

- Overload;
- Overcurrent;
- Stall;
- Phase loss.

Calculation Example:

SSW-07 Used: 30 A

Motor Used: 25 A

Trimpot for the Motor Current Setting

$$\text{Motor Current Setting} = \frac{I_{\text{motor}}}{I_{\text{SSW-07}}}$$

$$\text{Motor Current Setting} = \frac{25 \text{ A}}{30 \text{ A}}$$

$$\text{Motor Current Setting} = 0.833$$

Therefore it must be set at 83 %

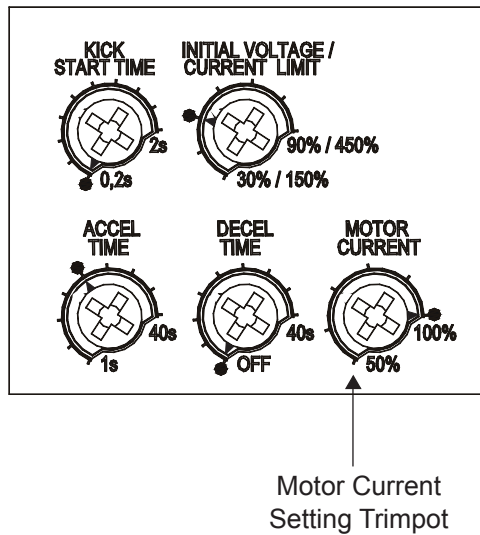


Figure 4.7 - Motor current setting

4.8 MOTOR ELECTRONIC OVERLOAD PROTECTION

The motor electronic overload protection simulates the heating and cooling of the motor, also known as thermal image. This simulation uses as input data the True rms current. The curve with the working time in motor overload is defined in figure 4.8.

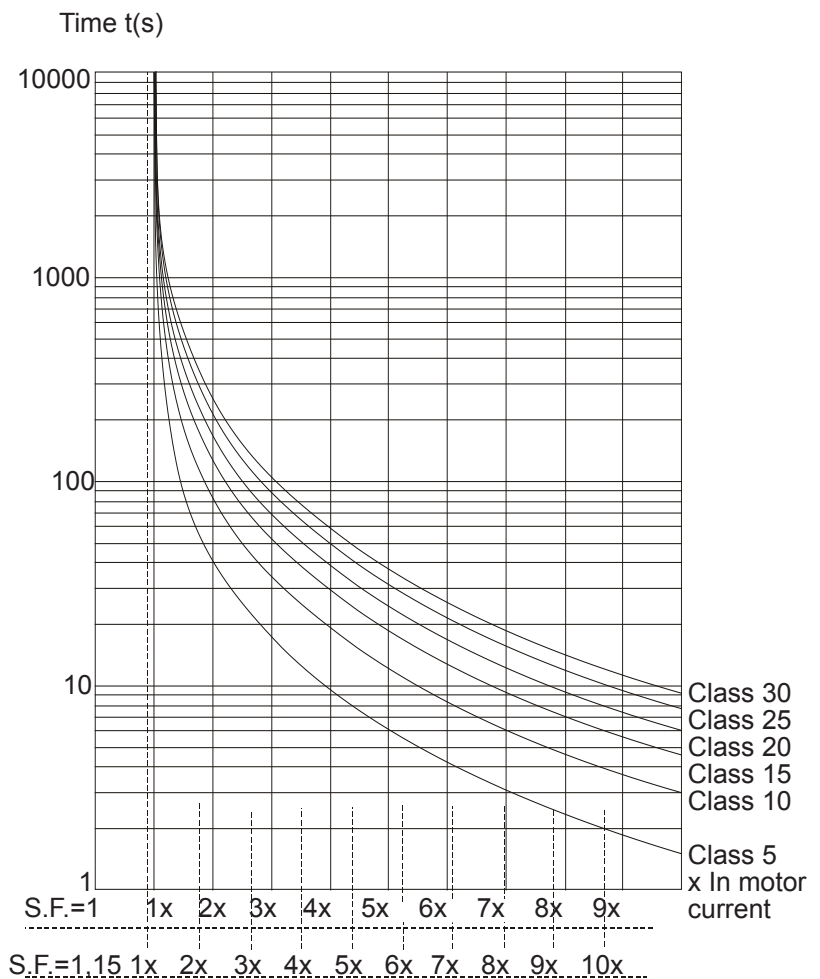


Figure 4.8 - Thermal classes of motor protection in cold condition

Motor Current	Class		
	30	20	10
3xIn	101.2 s	67.5 s	33.7 s
5xIn	36.1 s	24 s	12 s
7xIn	18.3 s	12.2 s	6.1 s

Table 4.1 - Motor protection thermal class time in cold condition at S.F.=1

Motor Current	Class		
	30	20	10
3xIn	135.1 s	90.1 s	45.1 s
5xIn	47.7 s	31.8 s	15.9 s
7xIn	24.3 s	16.2 s	8.1 s

Table 4.2 - Motor protection thermal class time in cold condition at S.F.=1.15



NOTES!

- ☑ When SSW-07 is without the electronic supply voltage (A1 and A2), the thermal image is saved internally. When the supply (A1 and A2) is re-established, the thermal image value returns to the value prior to the electronic supply loss.
- ☑ The RESET of the electronic overload protection can be set to manual function (man). In this case the RESET must be made via digital input 2 (DI2) or through the RESET key. If the RESET setting is set to automatic (auto), the fault condition will automatically be reset after the equipment cooling time;
- ☑ Upon disabling the electronic overload protection, the thermal image is reset at zero.

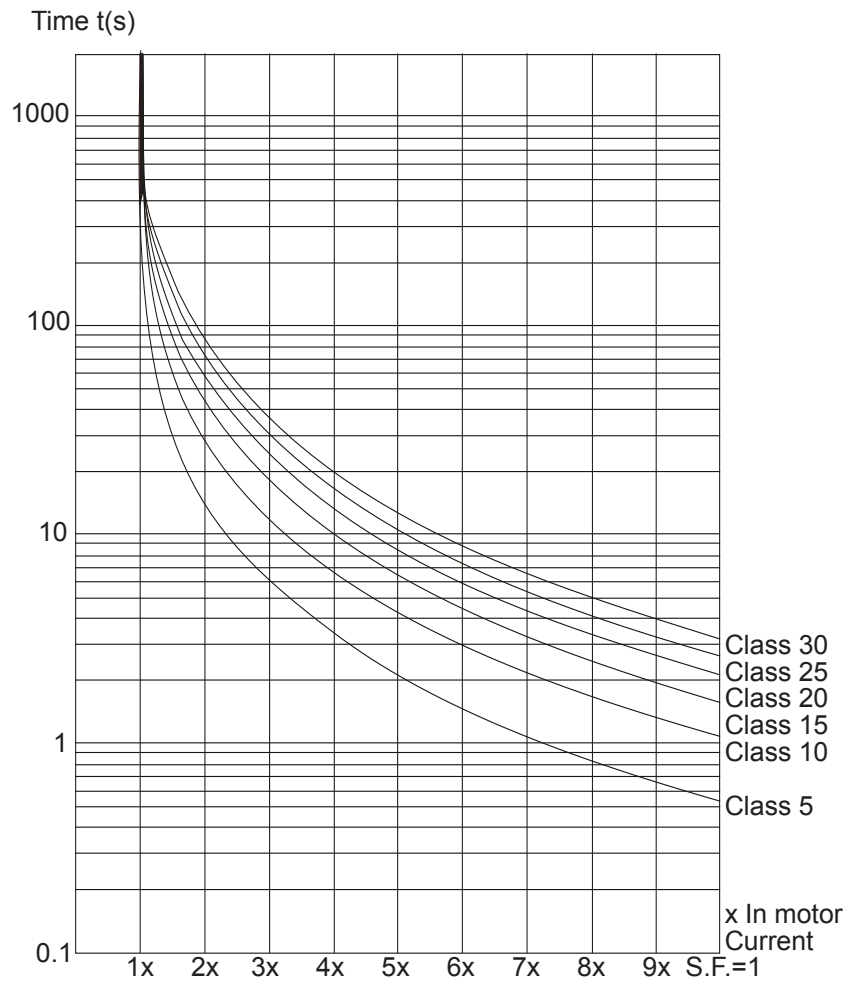


Figure 4.9 - Motor protection thermal classes in hot condition at 100 % In

Motor Current	Class		
	30	20	10
3xIn	34.4 s	23.6 s	11.8 s
5xIn	12.6 s	8.4 s	4.2 s
7xIn	6.4 s	4.2 s	2.1 s

Table 4.3 - Motor protection thermal class time in hot condition

Current in % of In of the motor	Factor
0 % (cold condition)	1
20 %	0.87
40 %	0.74
60 %	0.61
80 %	0.48
100 % (rated load)	0.35

Table 4.4 - Multiplication factor of the thermal class times in cold condition to obtain the thermal class times in hot condition

4.9 RESET

A fault condition can be reset using the RESET key at the front of the SSW-07 or through a push-button (0.5 seconds) at DI3 (digital input for RESET). Another way to reset the SSW-07 is by switching Off/On the electronic power supply (A1 and A2).



NOTE!

The SSW-07 also allows for the possibility of automatic RESET by enabling this function through the DIP Switch (auto):

- Automatic RESET occurs after 15 minutes in the following conditions:
 - Overcurrent;
 - Phase loss;
 - Stall;
 - Overcurrent before By-pass;
 - Frequency out of range;
 - Contact of the internal By-pass relay is open;
 - Power control supply undervoltage;
 - External fault.
- For incorrect phase sequence there is no automatic RESET.
- For electronic overload of the motor there is a specific algorithm for the automatic RESET time.

4.10 DI2 DIGITAL INPUT SETTING

In the factory default, the DI2 digital input has its function programmed for the reset of faults. DI2 can also be programmed to work as a three wire control.

The three wire control allows the Soft-Starter to be commanded through two digital inputs, DI1 as an ON input and DI2 as an OFF input. This allows for the direct placement of two push buttons. Refer to item 3.3.2.

To change the DI2 digital input, follow the instructions below:

1. To enter in programming mode, maintain the reset key at the front of the SSW-07 pressed for 5 seconds. Maintain the reset key pressed during programming;
2. When in programming mode, two LEDs will turn on (overcurrent and phase loss), indicating that DI2 is programmed for fault Reset. When three LEDs turn on (overcurrent, phase loss and phase sequence), it indicates that the DI2 is programmed for three wire commands;
3. To change the programming to three wire commands, move the overcurrent DIP Switch and return to the previous position. The three LEDs will turn on, indicating that DI2 is programmed for three wire commands;
4. To change the DI2 programming to fault Reset, move the Kick Start DIP Switch and return to the previous position. Two LEDs will turn on, indicating that the DI2 is programmed for fault Reset;
5. Programming is concluded when the reset key is released.

4.11 OUTPUT RELAY OPERATION

- ☑ The relay of the Operation Function closes its N.O. contact (13-14/23) every time the SSW-07 receives the enable command. This contact is only opened at the end of the deceleration ramp (when it is set via trimpot) or when the SSW-07 receives the disable command.
- ☑ The relay of the Full Voltage Function closes the N.O. contacts (14/23-24) every time the SSW-07 applies 100 % of the voltage to the driven motor. This contact opens when the SSW-07 receives the disable command.

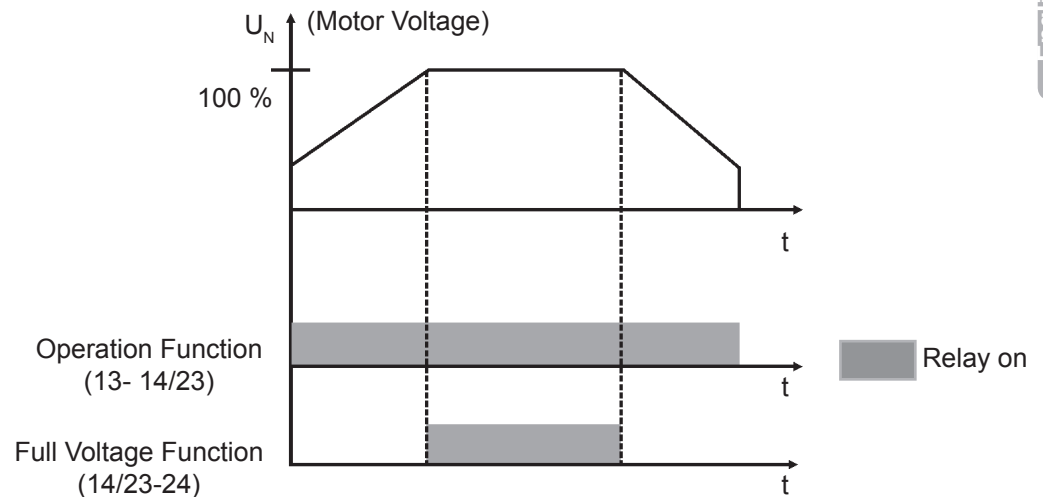


Figure 4.10 - Output relay operation

4.12 RELAY OUTPUT RL1 PROGRAMMING

In the factory default programming, the relay output RL1 has its function programmed for “Operation”. RL1 (13/14) can be also be programmed for the “No Fault” function. This function allows the installation of a circuit breaker with an undervoltage release at the SSW-07 input. Refer to figure 3.3.2. In order to change the relay output RL1 programming follow these instructions:

1. To enter in programming mode keep the reset key, at the SSW-07 front cover, pressed during 5 seconds, keeping it also pressed throughout the programming;
2. When in the programming mode two LEDs turn on (Overcurrent and Phase Loss), indicating that DI2 is programmed for Error Reset. If three LEDs turn on (Overcurrent, Phase Loss and Phase Sequence), it indicates that DI2 is programmed for three-wire command. If the Overload LED turns on, then the RL1 function is “No Fault”, otherwise the function is “Operation”;
3. To modify the RL1 function change the Overload DIP Switch and put it back in the previous position. The Overload LED will indicate the new programmed function:
 - Overload LED off: Operation function;
 - Overload LED on: No Fault function.

PROGRAMMING INFORMATION AND SUGGESTIONS

This chapter helps the user to set the types of starting controls according to their applications.

5.1 APPLICATIONS AND PROGRAMMING

English



ATTENTION!

Suggestions and important notes for each type of starting control.



ATTENTION!

To know the correct programming of the parameters, have your load data on hand and use the WEG (Soft-Starter) Dimensioning Software available at WEG's home page (<http://www.weg.net>). If you are unable to use the software mentioned above, you can follow some practical concepts described in this chapter.

Shown below are some characteristic curves with current and starting torque behavior according to some kinds of control.

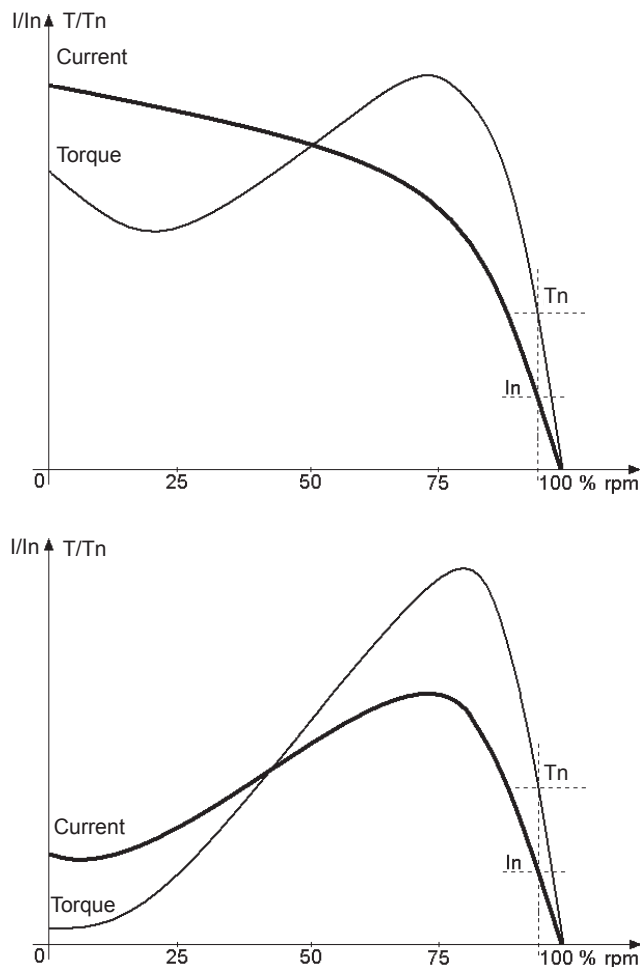


Figure 5.1 - Characteristic curves of torque and current in a direct on-line start and by voltage ramp

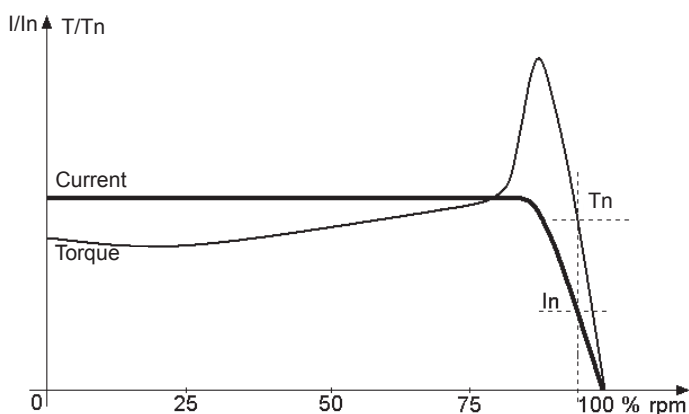


Figure 5.2 - Characteristic curves of torque and current in a current limitation start

5.1.1 Voltage Ramp Starting

- 1) Set the value of the initial voltage to a low value;
- 2) When a load is applied to the motor, set the initial voltage to a value that makes the motor rotate smoothly from the instant it is started.
- 3) Set the acceleration time with the necessary start time, initially with short times, 10 to 15 seconds, and afterwards try to find the best starting condition for the used load.

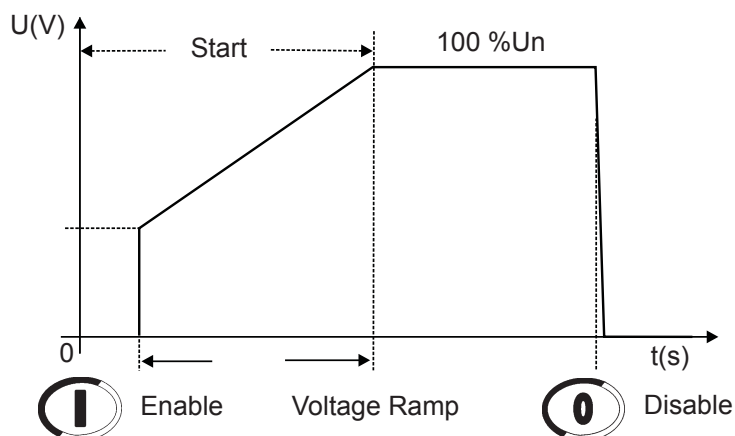


Figure 5.3 - Voltage ramp starting



NOTES!

- With long starting times, or when the motor is without a load, vibration can occur during the start of the motor, therefore lower the starting time;
- If faults occur during the start, check all the connections from the Soft-Starter to the supply network, motor connections, supply network voltage levels, fuses and circuit breakers.

5.1.2 Current Limit Starting

- 1) To start with a current limitation it is necessary to start with a load. Initial test without load can be done with a voltage ramp;
- 2) Set the acceleration time with the necessary starting time, initially with short times, 20 to 25 seconds. This time will be used as the stall time in case the motor does not start;
- 3) Set the current limit according to the conditions that your electric installation allows, as well as to the values that supply enough torque to start the motor. It can initially be programmed with values between 2x and 3x the nominal current of the motor (I_n of the motor).

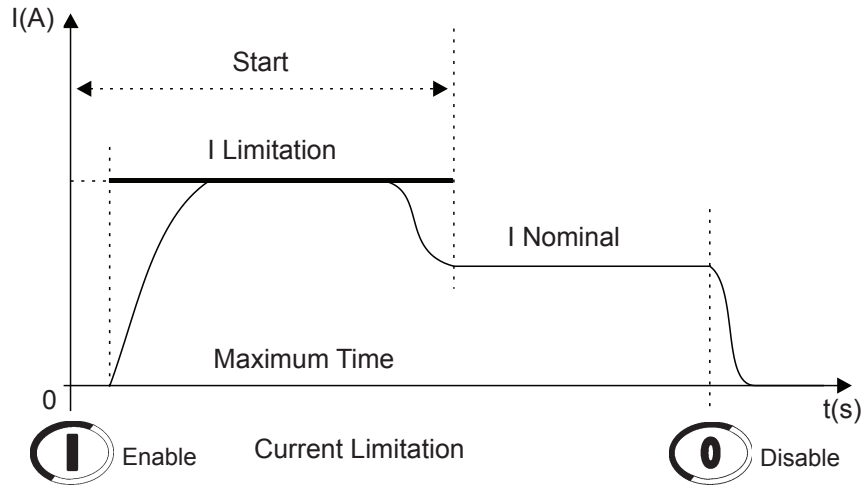


Figure 5.4 - Current limit starting



NOTES!

- ☑ If the current limit is not reached during the start, the motor will start immediately;
- ☑ Very low Current Limit values do not provide sufficient torque to start the motor. Always keep the motor rotating once it is started.
- ☑ For loads that need a higher initial starting torque, the Kick Start function can be used;
- ☑ If faults occur during the start, check all the connections from the Soft-Starter to the supply network, motor connections, supply network voltage levels, fuses and circuit breakers.

5.2 PROTECTIONS AND PROGRAMMING

5.2.1 Suggestion on How to Program the Thermal Class

- 1) Initially start at the standard thermal class, sometimes, but without the motor overheating;
- 2) Determine the correct starting time. Find an average of the current using a multimeter with a current probe to measure it; A current average can be found for any type of starting control;

For example:

Starting an 80 A motor using a voltage ramp. The current starts at 100 A and goes to 300 A, returning afterwards to the nominal value in 20 seconds.

$$(100 \text{ A} + 300 \text{ A})/2 = 200 \text{ A}$$

$$200 \text{ A}/80 \text{ A} = 2.5 \times I_n \text{ of the motor}$$

Therefore: 2.5 x In @ 20 seconds.

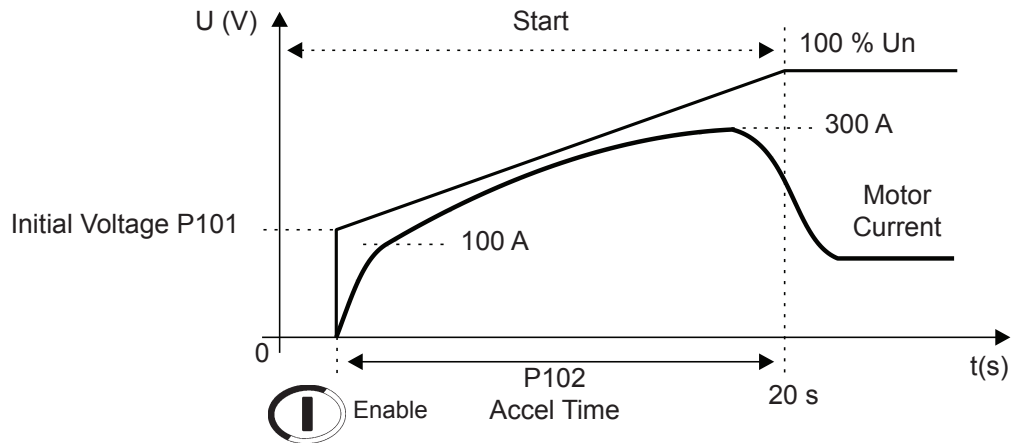


Figure 5.5 - Typical current curve during a voltage ramp start

- 3) Use this time to find the minimum class necessary to start the motor in cold condition. In the item 4.8 Overload Protection it is possible to check the thermal class curves of the motor in cold condition.

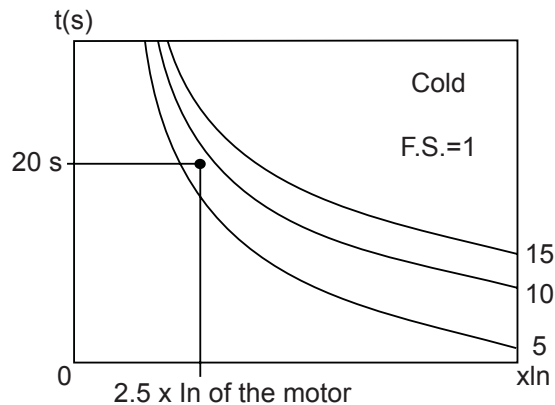


Figure 5.6 - Checking the minimum class of curves in cold condition

Therefore the minimum class necessary to start the motor is Class 10. Class 5 has an inferior time for this current. This class allows motor starting in cold condition.

4) In order to identify the thermal class to start a hot motor, it is necessary to know the locked rotor time that the motor withstand.



NOTE!

To correctly program the Thermal Class that will protect your motor it is essential to have in hands the stall time of the motor. This information is available in the motor manufacturer's catalogue.

With the stall time it is possible to find the maximum thermal class that will protect the motor to start in hot condition. In the item 4.8 Overload Protection, it is possible to check the thermal class curves of the motor in hot condition.

For example: $6.6 \times I_n @ 6 \text{ s}$.

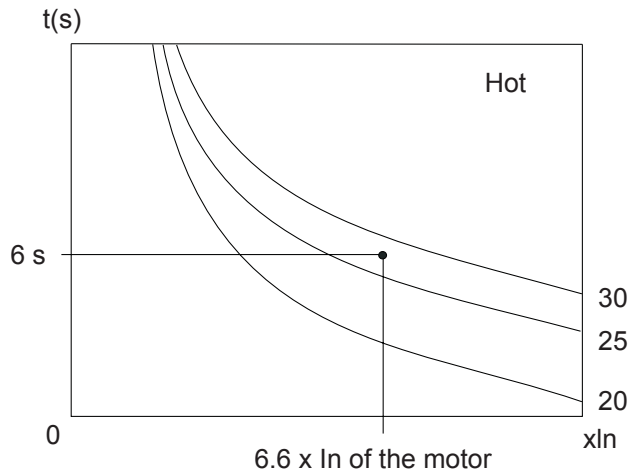


Figure 5.7 - Checking the maximum class of curves in hot condition

Class 25 is the highest thermal class that protects the motor and allows its hot start, or in any other condition.



NOTE!

Remember that this protection has as a standard the Three Phase IP55 Standard WEG Motor, therefore if your motor is different, then do not program the thermal class to its maximum, instead, program it near its minimum thermal class to start.

Example of how setting the thermal class:

Motor data:

Power: 50 hp
 Voltage: 380 V
 Nominal Current (In): 71 A
 Service Factor (S.F.): 1.00
 Ip/In: 6.6
 Stall time: 12 s in hot condition
 Speed: 1770 rpm

Motor + load starting data:

Starting by Voltage Ramp, starting current average:
 3 x the nominal current of the motor during 25 s (3 x In @ 25 s).
 1) In the graph, figure 4.8 in cold condition, one can see the minimum Thermal Class that will allow the start with a reduced voltage:
 For 3 x In of the motor @25 s, the next highest is adopted: Class 10.
 2) In the graph, figure 4.9 in hot condition, one can see the maximum Thermal Class that the motor can stand due to the stall time in hot condition:
 For 6.6 x In of the motor @ 12 s, the next lowest is adopted. Class 30.

One now knows that Thermal Class 10 allows a start and Thermal Class 30 is the maximum limit. Thus, a Thermal Class between the two should be adopted, according to the quantity of starts per hour and the interval of time between Off/On procedures the motor.

The closer to Class 10, the more protected the motor will be, the fewer the starts per hour and the greater the interval of time must be between Off/On procedures the motor.

The closer to Class 30, the closer it gets to the maximum limit of the motor, thus there can be more starts per hour and lower intervals of time between Off/On procedures the motor.

5.2.2 Time Reduction from Cold to Hot Starting

To determine the working times of the thermal classes in hot condition, when the motor is running at full voltage with a current lower that 100 % of the In of the motor, use the multiplication factor in table 4.4, according to the current percentage that the motor is operating. For example:

A motor is running with 80 % In and is turned off. Immediately afterwards it is turned back on. The starting current is 3 x In of the motor @ 25 s. The Thermal Class selected is Class 10 with 33.7 s @ 3 x In of the motor. In the table, the setting factor to 80 % In of the motor is 0.48.

The final working time will be: $0.48 \times 33.7 \text{ s} = 16.2 \text{ s}$, in other words, the time was reduced from 33.7 s during a start in cold condition to 16.2 s for a start in hot condition. A new start will not be allowed before the thermal image of the motor decreases, in other words, cools down.

5.2.3 Service Factor When the Service Factor (S.F.) is different from 1.00 and if there is a need to use it, one can check in the graph, in cold condition, the points for S.F.=1.15 and in the table for S.F.=1.15.

If one wishes to know the thermal protection working times for other S.F. values just move the $x I_n$ line of the motor to the left.

$$\frac{1}{S.F.} \times N \times I_n = \text{New_Line} \times I_n$$

N= Number of motor nominal current times.

Examples:

Considering the line of $3x I_n$ with S.F.=1.00 to S.F.=1.25.

$$\frac{1}{1.25} \times 3 \times I_n = 2.40 \times I_n$$

The new line of $3x I_n$ with S.F.= 1.25 must be situated in $2.40x I_n$.

Considering the line of $3x I_n$ with S.F.=1.00 to S.F.=1.15.

$$\frac{1}{1.15} \times 3 \times I_n = 2.61 \times I_n$$

The new line of $3x I_n$ with S.F.= 1.15 must be situated in $2.61x I_n$.

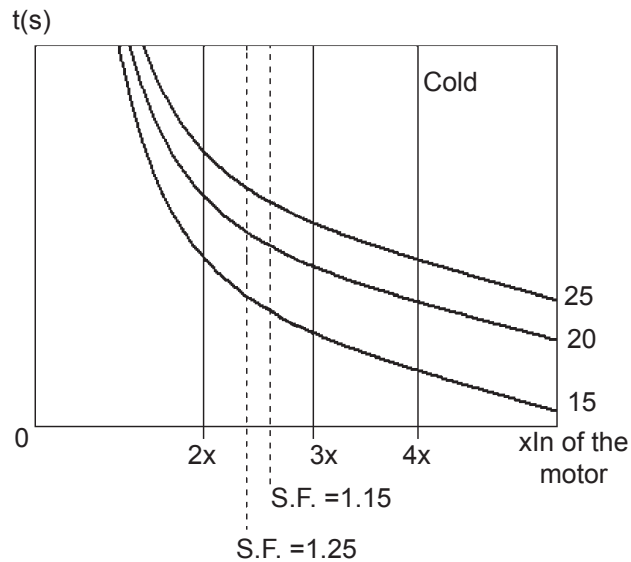


Figure 5.8 - Using the S.F. to find the new time

If the optional keypad or serial communication is unavailable to program the service factor parameter, it is necessary to use the nominal current of the motor as the I_n of the motor x S.F. In this case, the Motor Current trimpot must be programmed considering the service factor.

$$\text{Motor_Current} = \frac{I_n \text{ of_ Motor} \times \text{S.F.}}{I_n \text{ of_ SSW}} \times 100$$

Example:

Motor with 80 A and S.F.=1.25
SSW-07 of 130 A

$$\frac{80 \times 1.25}{130} \times 100 = 77 \%$$

The Motor Current trimpot must then be set to 77 %.



NOTE!

The example and equation above must only be used when the service factor is used, and if the parameter of the service factor is not programmable via the optional keypad or serial communication.

SOLUTION AND TROUBLESHOOTING

6.1 FAULTS AND POSSIBLE CAUSES

When an error is detected, the Soft-Starter is blocked (disabled) and the LED's indicate this error by means of intermittent flashes. In order that the Soft-Starter operates normally again after an error trip, it is necessary to reset it. This procedure is performed in the following ways:

- ☑ Disconnecting and reapplying the AC power (power-on RESET);
- ☑ Pressing the "RESET" key in the SSW-07 front panel (RESET key);
- ☑ Automatically by the automatic RESET. Enable this function via DIP Switch (auto);
- ☑ Via digital input DI2 or DI3.

English

Protection Description and Fault Display	Activation Description	Probable Causes	Reset
Phase loss or Undercurrent E03 (LED Phase Loss) Flashing	At starting: It occurs when there is no voltage in the power supply terminals (R/1L1, S/3L2 and T/5L3) or when the motor is disconnected. At full voltage: It trips when the current stays below the programmed value longer than the programmed time. Referring to the nominal motor current. When the parameters are set with the factory default values, then this protection trips after elapsing 1 second with phase loss either at the input or at the output (motor). It trips when the current circulating through the SSW-07 is less than 20 % of the value adjusted at the Motor Current trimpot.	In hydraulic pump applications, it may be running with no load. Phase loss in the three-phase network. Short-circuit or fault at the thyristor or By-pass. Motor not connected. Motor connection is incorrect Loose contact in the connections. Starting problems with the input contactor. Input fuses are blown. Incorrect programming of the Motor Current trimpot. Motor current consumption lower than required for phase loss protection to work.	Power-on. Reset key. Auto-reset. DIx.
Over temperature in the power section E04 (LED Fault) Flashes once (LED Ready) On	When the heatsink temperature is superior to the limit. Also trips when the temperature sensor is not connected.	Shaft load too high. Elevated number of successive starts. Internal temperature sensor not connected. Starting cycle requires ventilation kit (models from 45 A to 200 A).	Power-on. Reset key. Auto-reset. DIx.

Table 6.1 - Faults and possible causes

Protection Description and Fault Display	Activation Description	Probable Causes	Reset
<p>Electronic motor overload</p> <p>E05</p> <p>(LED Overload) Flashing</p>	<p>When the times given by the programmed thermal class curves exceed the limit.</p>	<p>Incorrect setting of the "Motor Current" trimpot (motor current set). The set value is too low for the motor being used.</p> <p>Starting sequence greater than allowed.</p> <p>Programmed thermal class too low.</p> <p>Time between Off/On procedures lower than that permitted by the motor power refrigeration time.</p> <p>Load on the motor shaft too high.</p> <p>Thermal protection value saved when the control is turned off and brought back when turned back on.</p>	<p>Power-on.</p> <p>Reset key.</p> <p>Auto-reset.</p> <p>Dlx.</p>
<p>Start timeout during current limit starting</p> <p>E62</p> <p>(LED Fault) Flashes twice (LED Ready) On</p>	<p>When the starting time is longer than the time set in the acceleration ramp trimpot. Active only with current limit starting.</p>	<p>Programmed time for the acceleration ramp inferior to what is needed.</p> <p>Value of the programmed current limitation too low.</p> <p>Motor locked, rotor blocked.</p>	<p>Power-on.</p> <p>Reset key.</p> <p>Auto-reset.</p> <p>Dlx.</p>
<p>Stall</p> <p>E63</p> <p>(LED Stall) Flashing</p>	<p>Activates before full voltage, if the current is greater than twice the nominal motor current.</p>	<p>Programmed acceleration ramp time lower than the actual acceleration time.</p> <p>Motor shaft is locked</p> <p>The transformer that supplies the motor can be saturating and taking too much time to recover from the starting current.</p>	<p>Power-on.</p> <p>Reset key.</p> <p>Auto-reset.</p> <p>Dlx.</p>
<p>Overcurrent</p> <p>E66</p> <p>(LED Overcurrent) Flashing</p>	<p>It is only monitored when the SSW-07 is at full voltage. When the parameters are set with the factory default values this protection trips when the motor current exceeds 2 times the value adjusted in the trimpot (Motor Current) for a time longer than 1 second.</p>	<p>Momentary motor overload.</p> <p>Motor shaft is locked, rotor blocked.</p>	<p>Power-on.</p> <p>Reset key.</p> <p>Auto-reset.</p> <p>Dlx.</p>
<p>Incorrect phase sequence</p> <p>E67</p> <p>(LED Phase Seq.) Flashing</p>	<p>When the sequence of synchronism signals interruptions does not follow the RST sequence.</p>	<p>Network phase sequence inverted at the input.</p> <p>May have been changed in another place of the supply network.</p>	<p>Power-on.</p> <p>Reset key.</p> <p>Dlx.</p>

Table 6.1 - Faults and possible causes (cont.)

Protection Description and Fault Display	Activation Description	Probable Causes	Reset
<p>Undervoltage in the control supply</p> <p>E70</p> <p>(LED Fault) Flashes twice (LED Ready) Off</p>	<p>Activates when the control supply voltage is lower than 93 Vac.</p>	<p>Electronics supply lower than the minimum value. Electronics power supply with loose contact. Electronics power supply fuse blown.</p>	<p>Power-on. Reset key. Auto-reset. Dlx.</p>
<p>Internal By-pass relay contact Open</p> <p>E71</p> <p>(LED Fault) Flashes 3 times (LED Ready) Off</p>	<p>When there is a fault with the internal By-pass relay contacts at full voltage.</p>	<p>Loose contact in the starting cables of the Internal By-pass relays. Defective By-pass relay contacts due to an overload</p>	<p>Power-on. Reset key. Auto-reset. Dlx.</p>
<p>Overcurrent before the By-pass</p> <p>E72</p> <p>(LED Fault) Flashes 4 times (LED Ready) Off</p>	<p>Activates before the closing of the By-pass if the current is greater than: 37.5 A for the models up to 30 A; 200 A for the models from 45 to 85 A; 260 A for the model of 130 A; 400 A for the models from 171 and 200 A. 824 for the models from 255 A to 412 A.</p>	<p>The time programmed for the acceleration ramp is shorter than the actual acceleration time. Nominal motor current higher than the current that can be supported by the Soft-Starter. Motor shaft is locked, rotor blocked.</p>	<p>Power-on. Reset key. Auto-reset. Dlx.</p>
<p>Frequency out of tolerance</p> <p>E75</p> <p>(LED Fault) Flashes once (LED Ready) Off</p>	<p>When the limit is higher or lower than the limits of 45 to 66 Hz.</p>	<p>The line frequency is out of range. When the Soft-Starter + motor are being supplied by a generator that is not supporting the full load or the start of the motor.</p>	<p>Power-on. Reset key. Auto-reset. Dlx.</p>
<p>Closed By-pass contact or shorted SCR's</p> <p>E77</p> <p>(Fault LED) flashes 6 times (Ready LED) is off</p>	<p>When there is no opening of the internal By-pass contact circuit.</p>	<p>Bad contact in the relay activation cables, at either internal or external By-pass. Defective contacts due to an overload. A short-circuit in parallel or external.</p>	<p>Power-on. Reset key. Dlx.</p>

Table 6.1 - Faults and possible causes (cont.)

NOTES:

In the case of E04 (over temperature), it is necessary to wait a little before resetting, in order to cool down.

In the case of E05 (motor overload), it is necessary to wait a little before resetting, in order to cool down.

6.2 TROUBLESHOOTING

Problem	Points to check	Corrective action
Motor does not run	Wrong wiring	Check all the power and command connections. For example: The DIx digital inputs programmed as enabling or external fault must be connected to AC supply.
	Wrong programming	Check if the parameters are with the correct values for the application.
	Fault	Check if the Soft-Starter is not blocked to a detected fault condition.
Motor does not reach nominal speed	Motor stall	Increase the current limit level with the control to limit the current (refer to table 6.1).
Motor rotation oscillates (fluctuates)	Loose connections	Switch the Soft-Starter and the power supply off and tighten all the connections. Check all the internal connections of the Soft-Starter to make sure they are well connected.
Motor rotation: Too high or too low	Motor nameplate data	Check if the motor used is in accordance to the application.
LEDs off	Check the power supply voltage of the control board (A1 and A2)	Nominal values must be inside the following limits: Umin. = 93.5 Vac Umax.= 264 Vac
Vibration during acceleration	Soft-Starter Settings	Reduce the acceleration ramp time.

Table 6.2 - Solving the most frequent problems



NOTE!

When contacting WEG for service or technical assistance, please have the following data on hand:

- Model of the Soft-Starter;
- Serial number, production date and hardware revision present in the identification label of the product (refer to item 2.3);
- Installed software version (refer to item 2.3);
- Application and programming data.

For explanations, training or service, please contact WEG Automação Service Department.

6.3 PREVENTIVE MAINTENANCE



WARNING!

Always disconnect the general power supply before touching any electric component associated to the Soft-Starter SSW-07.

**Do not apply any high voltage tests on the Soft-Starter SSW-07!
If necessary, consult the manufacturer.**

Do not use megometers to test thyristors.

Periodic inspections of Soft-Starters SSW-07 and installations are necessary to avoid operating problems due to unfavorable environmental conditions like high temperature, moisture, dust, vibrations or due to the aging of the components.

Component	Abnormality	Corrective Action
Terminals, Connectors	Loose screws	Tightening ⁽¹⁾
	Loose connectors	
Fans / Ventilation Systems	Dirty fans	Cleaning ⁽¹⁾
	Abnormal noise	Substitute fan
	Fan always off	
	Abnormal vibration	
	Dust in the air filters	Cleaning or substitution ⁽²⁾
Power Module / Power Connections	Accumulated dust, oil, moisture, etc.	Cleaning ⁽¹⁾
	Screws with loose connections	Tightening ⁽¹⁾

(1) Every six months.

(2) Twice a month.

Table 6.3 - Periodic inspections after putting into use

OPTIONS AND ACCESSORIES

This chapter describes the optional devices that can be used with Soft-Starter SSW-07.

Optional Description	WEG Part Number
Plug-in Local Keypad	10935572
Remote Keypad Kit	10935649
1 m SSW-07 - Remote HMI Connection Cable	10050268
2 m SSW-07 - Remote HMI Connection Cable	10190951
3 m SSW-07 - Remote HMI Connection Cable	10211478
5 m SSW-07 - Remote HMI Connection Cable	10211479
7,5 m SSW-07 - Remote HMI Connection Cable	10050302
10 m SSW-07 - Remote HMI Connection Cable	10191029
Plug-in Kit for DeviceNet Communication	10935681
Plug-in Kit for RS-232 Communication	10935578
3 m RS-232 Connection Cable	10050328
10 m RS-232 Connection Cable	10191117
Plug-in Kit for RS-485 Communication	10935573
Ventilation Kit for Size 2 (Currents from 45 to 85 A)	10935650
Ventilation Kit for Size 3 (Currents from 130 to 200 A)	10935559
IP20 Kit for Size 3 (Currents from 130 to 200 A)	10935651
Size 4 IP20 kit (255 to 412 A current)	11059230
Plug-in Kit for Motor PTC	10935663
SuperDrive G2 Kit	10945062

English

Table 7.1 - Optional description

7.1 IP20 KIT

The purpose of the IP20 KIT is to protect the user from the contact with the live parts of the Soft-Starter.



Figure 7.1 - IP20 kit size 3

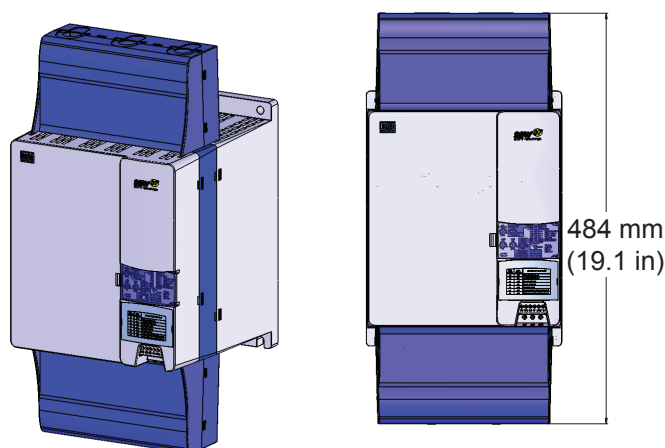


Figure 7.2 - IP20 kit size 4

TECHNICAL CHARACTERISTICS

This chapter describes the electric and mechanical technical characteristics of the Soft-Starter SSW-07 line.

8.1 NOMINAL POWERS AND CURRENTS ACCORDING TO UL508

SSW-07 Model	Motor voltage 220/230 V		Motor voltage 380/400 V		Motor voltage 440/460 V		Motor voltage 575 V	
	(Hp)	(kW)	(Hp)	(kW)	(Hp)	(kW)	(Hp)	(kW)
17 A	5	3.7	7.5	5.5	10	7.5	15	11
24 A	7.5	5.5	10	7.5	15	11	20	15
30 A	10	7.5	15	11	20	15	25	18.5
45 A	15	11	25	18.5	30	22	40	30
61 A	20	15	30	22	40	30	50	37
85 A	30	22	50	37	60	45	75	55
130 A	50	37	75	55	100	75	125	90
171 A	60	45	100	75	125	90	150	110
200 A	75	55	100	75	150	110	200	150
255 A	100	75	150	110	200	150	250	185
312 A	125	90	175	130	250	185	300	225
365 A	150	110	200	150	300	225	350	260
412 A	150	110	250	185	350	260	450	330

Table 8.1 - Powers and currents according to UL508

8.2 NOMINAL POWERS AND CURRENTS FOR STANDARD IP55, IV POLE WEG MOTOR

SSW-07 Model	Motor voltage 220/230 V		Motor voltage 380/400 V		Motor voltage 440/460 V		Motor voltage 525 V		Motor voltage 575 V	
	(Hp)	(kW)	(Hp)	(kW)	(Hp)	(kW)	(Hp)	(kW)	(Hp)	(kW)
17 A	6	4.5	10	7.5	12.5	9.2	15	11	15	11
24 A	7.5	5.5	15	11	15	11	20	15	20	15
30 A	10	7.5	20	15	20	15	25	18.5	30	22
45 A	15	11	30	22	30	22	40	30	40	30
61 A	20	15	40	30	50	37	50	37	60	45
85 A	30	22	60	40	60	45	75	55	75	55
130 A	50	37	75	55	100	75	125	90	125	90
171 A	60	45	125	90	125	90	150	110	175	132
200 A	75	55	125	90	150	110	200	150	200	150
255 A	100	75	175	132	200	150	250	185	250	185
312 A	125	90	200	150	250	185	300	220	300	225
365 A	150	110	250	185	300	225	350	260	400	300
412 A	150	110	300	220	350	260	440	315	450	330

Table 8.2 - Powers and currents for WEG motors



NOTE!

The maximum powers indicated in table 8.1 are based on 3 x nominal current of Soft-Starter SSW-07 during 30 s and 10 starts per hour (3xIn @ 30 s).

8.3 POWER DATA

Power Supply	Power Voltage (R/1L1, S/3L2, T/5L3)	(220 to 575) Vac (-15 % to +10 %), or (187 to 632) Vac
	Frequency	(50 to 60) Hz (± 10 %), or (45 to 66) Hz
Capacity	Maximum number of starts per hour (without ventilation)	10 (1 every 6 minutes; models from 17 A to 30 A) 3 (1 every 20 minutes; models from 45 A to 200 A) 10 (1 every 6 minutes; models from 255 A to 412 A)
	Maximum number of starts per hour with optional ventilation Kit	10 (1 every 6 minutes; models from 45 A to 200 A)
	Start cycle	3 x In of the SSW-07 during 30 seconds
Thyristors (SCRs)		Reverse voltage with 1600 V maximum peak
Overvoltage category		III (UL508/EN61010)

8.4 ELECTRONICS AND PROGRAMMING DATA

Power Supply	Control voltage	<input checked="" type="checkbox"/> (110 to 240) Vac (-15 % to +10 %), models from 17 A to 200 A
	Connector (A1, A2)	<input checked="" type="checkbox"/> (110 to 130) Vac or (208 to 240) Vac (-15 % to +10 %) (models from 255 A to 412 A)
	Frequency	<input checked="" type="checkbox"/> (50 to 60) Hz (± 10 %), or (45 to 66) Hz
	Consumption	<input checked="" type="checkbox"/> 15 VA models from 17 A to 200 A <input checked="" type="checkbox"/> 60 VA continuos 800 VA additional during By-pass closing (models from 255 A to 412 A).
Control	Method	<input checked="" type="checkbox"/> Voltage ramp; <input checked="" type="checkbox"/> Current limitation.
Inputs	Digitals	<input checked="" type="checkbox"/> 3 Isolated digital inputs; <input checked="" type="checkbox"/> Minimum upper level: 93 Vac; <input checked="" type="checkbox"/> Maximum lower level: 10 Vac; <input checked="" type="checkbox"/> Maximum voltage: 264 Vac; <input checked="" type="checkbox"/> Input current: 1.1 mA @ 220 V; <input checked="" type="checkbox"/> Programmable functions.
Outputs	Relay	<input checked="" type="checkbox"/> 2 relays with NO contacts, 240 Vac, 1 A, and programmable functions.
Safety	Protections	<input checked="" type="checkbox"/> Overcurrent; <input checked="" type="checkbox"/> Phase loss; <input checked="" type="checkbox"/> Inverted phase sequence; <input checked="" type="checkbox"/> Heatsink overtemperature; <input checked="" type="checkbox"/> Motor overload; <input checked="" type="checkbox"/> External fault; <input checked="" type="checkbox"/> Open By-pass contact; <input checked="" type="checkbox"/> Closed By-pass contact; <input checked="" type="checkbox"/> Overcurrent before By-pass; <input checked="" type="checkbox"/> Stall; <input checked="" type="checkbox"/> Frequency out of range; <input checked="" type="checkbox"/> Electronic supply undervoltage.

CAPÍTULO 1

Instrucciones de Seguridad

1.1 Avisos de Seguridad en el Manual	55
1.2 Avisos de Seguridad en el Producto	55
1.3 Recomendaciones Preliminares.....	55

CAPÍTULO 2

Informaciones Generales

2.1 A Respecto del Manual.....	57
2.2 A Respecto del Arrancador Suave SSW-07	57
2.3 Etiqueta de Identificación del Arrancador Suave SSW-07	58
2.4 Recibimiento y Almacenado	61

CAPÍTULO 3

Instalación y Conexión

3.1 Instalación Mecánica.....	62
3.1.1 Condiciones Ambientales	62
3.1.2 Dimensiones del Arrancador Suave SSW-07	62
3.1.3 Posicionamiento/Fijación	63
3.1.3.1 Montaje en Tablero.....	64
3.1.3.2 Montaje en Superficie	65
3.2 Instalación Eléctrica.....	65
3.2.1 Terminales de Potencia	66
3.2.2 Ubicación de las Conexiones de Potencia, Puesta a Tierra y Control	67
3.2.3 Cables de Potencia y de Puesta a Tierra Propuestos.....	68
3.2.4 Conexiones de la Red de Alimentación al Arrancador Suave SSW-07	68
3.2.4.1 Capacidad de la Red de Alimentación	69
3.2.4.2 Fusibles Recomendados.....	69
3.2.4.3 Contactores Recomendados.....	70
3.2.5 Conexiones del Arrancador Suave SSW-07 al Motor..	70
3.2.5.1 Conexión Padrón del Arrancador Suave SSW-07 al Motor con Tres Cables.....	71
3.2.6 Conexiones de Puesta a Tierra	71
3.2.7 Conexiones de Señal y Control	72
3.3 Accionamientos Propuestos	73
3.3.1 Accionamiento Propuesto con Comando por Entradas Digitales a Dos Cables y Contactor de Aislamiento de la Potencia.....	74
3.3.2 Accionamiento Propuesto con Comando por Entradas Digitales a Tres Cables y Disyuntor de Aislamiento de la Potencia	74
3.3.3 Simbología	75

CAPÍTULO 4

Como Ajustar el SSW-07

4.1 Ajuste del Tipo de Control	76
4.2 Kick Start	77
4.3 Ajuste de la Tensión Inicial	77
4.4 Ajuste del Limite de Corriente	78
4.5 Ajuste del Tiempo de la Rampa de Aceleración	79
4.6 Ajuste del Tiempo de la Rampa de Desaceleración	79
4.7 Ajuste de Corriente del Motor	80
4.8 Protección de Sobrecarga Electrónica del Motor	81
4.9 Reset	84
4.10 Programación de la Entrada Digital DI2	84
4.11 Funcionamiento de las Salidas a Relé	85
4.12 Programación de la Salida a Relé RL1	85

CAPÍTULO 5

Informaciones y Sugerencias de Programación

5.1 Aplicaciones y Programación	87
5.1.1 Arranque con Rampa de Tensión	88
5.1.2 Arranque con Limitación de Corriente	89
5.2 Protecciones y Programación	90
5.2.1 Sugerencia de como Programar la Clase Térmica	90
5.2.2 Reducción del Tiempo de Arranque a Frío para Caliente	92
5.2.3 Factor de Servicio	93

CAPÍTULO 6

Solución y Prevención de Fallos

6.1 Errores y Posibles Causas	95
6.2 Solución de los Problemas más Frecuentes	98
6.3 Mantenimiento Preventivo	99

CAPÍTULO 7

Dispositivos Opcionales

7.1 Kit IP20	100
--------------------	-----

CAPÍTULO 8

Características Técnicas

8.1 Potencias y Corrientes Nominales Conforme UL508	101
8.2 Potencias y Corrientes Nominales Conforme Motores WEG, Estándar, IP55, IV Polos	101
8.3 Datos de la Potencia	102
8.4 Datos de la Electronica y Programación	102

INSTRUCCIONES DE SEGURIDAD

Este manual contiene las informaciones necesarias para el uso correcto del Arrancador Suave SSW-07.

Fue desarrollado para ser utilizado por personas con entrenamiento o calificación técnica adecuada para operar este tipo de equipamiento.

1.1 AVISOS DE SEGURIDAD EN EL MANUAL

En el texto serán utilizados los siguientes avisos de seguridad:



¡PELIGRO!

No considerar los procedimientos recomendados en este aviso puede llevar a la muerte, daños físicos graves y daños materiales considerables.



¡ATENCIÓN!

No considerar los procedimientos recomendados en este aviso puede llevar a daños materiales.



¡NOTA!

El texto objetiva suministrar informaciones importantes para la correcta comprensión y buen funcionamiento del producto.

1.2 AVISOS DE SEGURIDAD EN EL PRODUCTO

Los siguientes símbolos están fijados al producto, sirviendo como aviso de seguridad:



Tensiones elevadas presentes.



Componentes sensibles a descargas electrostáticas. No tocarlos.



Conexión obligatoria puesta a tierra de protección (PE).

1.3 RECOMENDACIONES PRELIMINARES



¡PELIGRO!

Solamente personas con calificación adecuada y familiaridad con el Arrancador Suave SSW-07 y equipamientos asociados deben planear o implementar la instalación, arranque, operación y mantenimiento de este equipamiento.

Estas personas deben seguir todas las instrucciones de seguridad contenidas en este manual y/o definidas por las normas locales.

No seguir las instrucciones de seguridad puede resultar en riesgo de vida y/o daños en el equipamiento.



¡NOTA!

Para los propósitos de este manual, personas calificadas son aquellas entrenadas de forma a que estén aptas para:

1. Instalar, hacer la puesta a tierra, energizar y operar el SSW-07 de acuerdo con este manual y los procedimientos legales de seguridad vigentes;
2. Utilizar los equipamientos de protección de acuerdo con las normas establecidas;
3. Prestar servicios de primeros socorros.



¡PELIGRO!

Siempre desconecte la alimentación general antes de cambiar cualquier componente eléctrico asociado al Arrancador Suave SSW-07. Altas tensiones pueden estar presente mismo después de la desconexión de la alimentación. Espere por lo menos 3 minutos para la descarga completa de los condensadores (capacitores). Siempre conecte el disipador del equipamiento a tierra de protección (PE), en el punto adecuado para esto.



¡ATENCIÓN!

Las tarjetas electrónicas poseen componentes sensibles a las descargas electrostáticas. No toque directamente sobre los componentes o conectores. Caso necesario, tocar antes en el disipador metálico puesta a tierra o utilice pulsera antiestática adecuada.

No ejecute ninguna prueba de tensión aplicada al Arrancador Suave SSW-07!
Caso sea necesario consultar el fabricante.



¡NOTA!

Arrancadores Suaves SSW-07 pueden interferir en otros equipamientos electrónicos. Cumpra los cuidados recomendados en el capítulo 3 (Instalación) para minimizar estos efectos.



¡NOTA!

Leer completamente este manual antes de instalar o operar el Arrancador Suave SSW-07.

INFORMACIONES GENERALES

2.1 A RESPECTO DEL MANUAL

Este manual describe la instalación del Arrancador Suave, como proceder la puesta en marcha, las principales características técnicas y como identificar y corregir los problemas más comunes. Los manuales descriptos a seguir deben ser consultados para obtener mayores informaciones, referentes a las funciones, accesorios y condiciones de funcionamiento:

- ☑ Manual de Programación, con descripción detallada de los parámetros y sus funciones;
- ☑ Manual de Comunicación RS-232 / RS-485.
- ☑ Manual de Comunicación DeviceNet.

Estos manuales son suministrados en formato electrónico (en CD), en conjunto con el Arrancador Suave. También se puede obtener estos manuales en la pagina Web de la WEG (www.weg.net).

2.2 A RESPECTO DEL ARRANCADOR SUAVE SSW-07

El Arrancador Suave SSW-07 es un producto de alto desempeño lo cual permite el control del arranque de motores de inducción trifásicos. De esta forma, se evitan golpes mecánicos en la carga y surtos de corrientes en la red de alimentación.

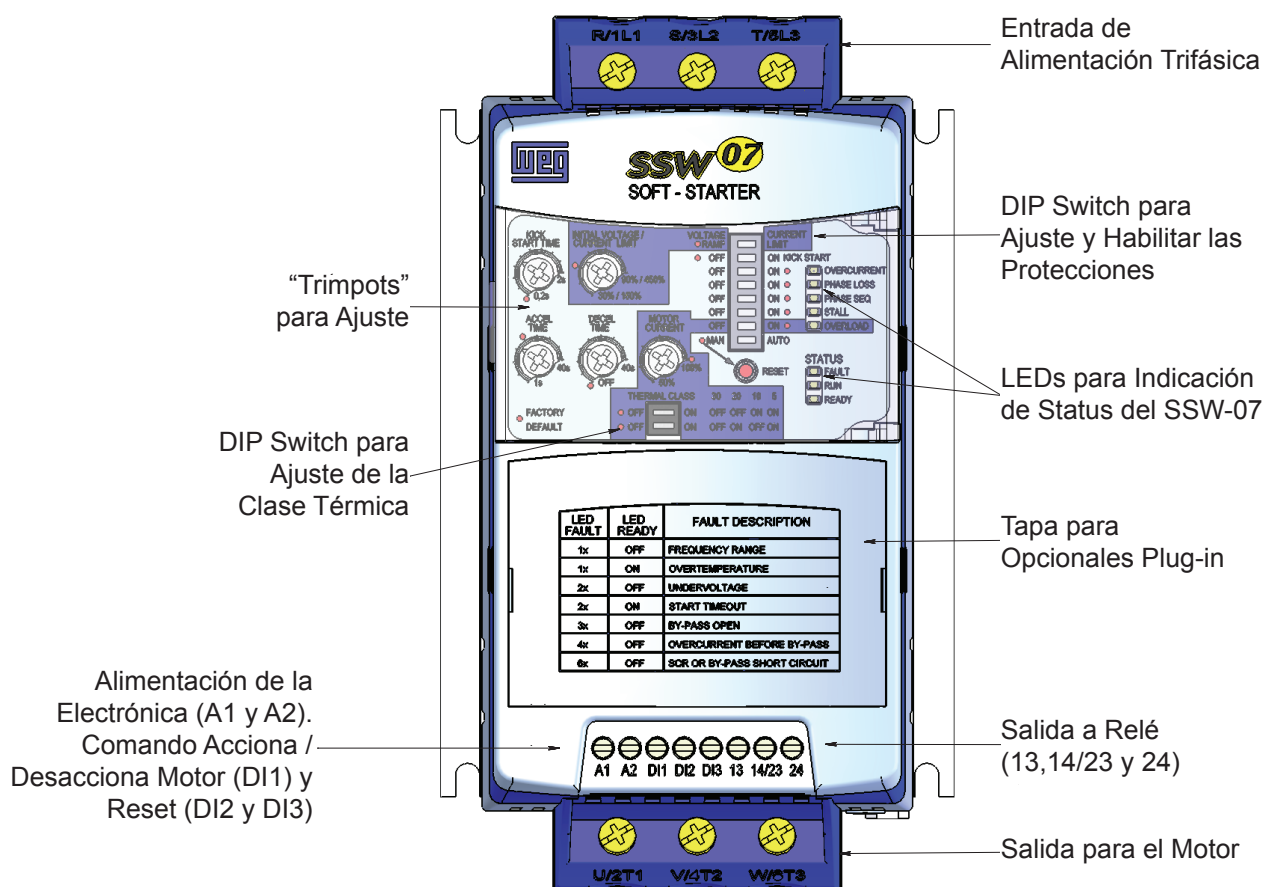


Figura 2.1 - Vista frontal del SSW-07

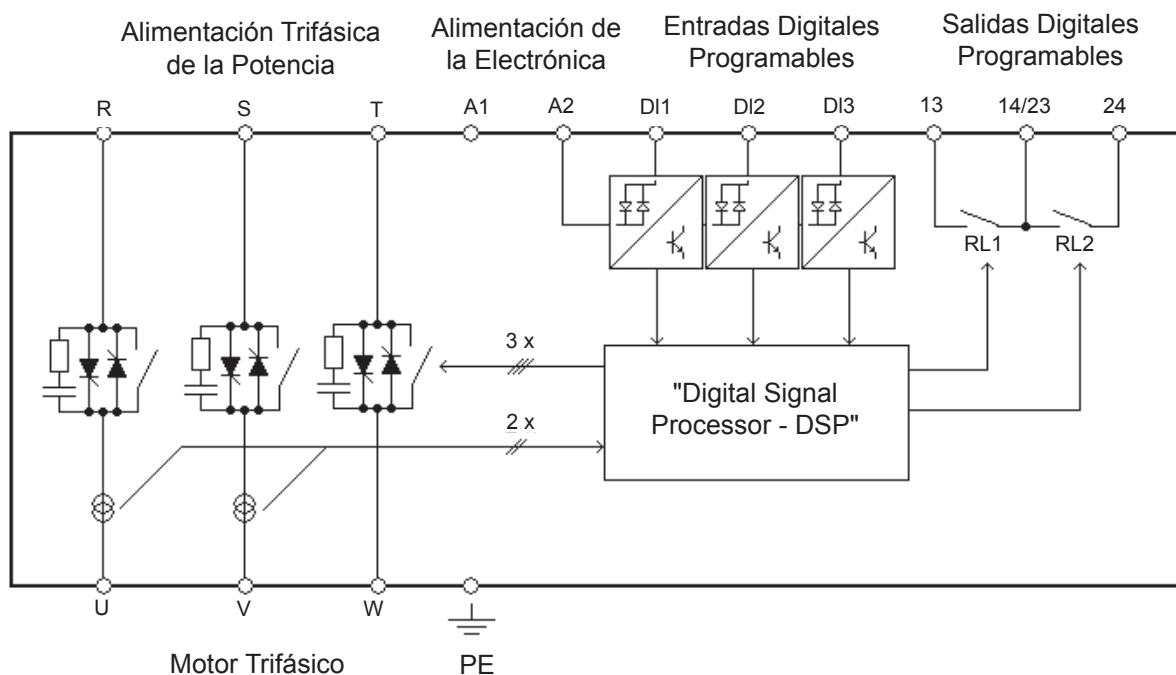


Figura 2.2 - Diagrama de bloques del Arrancador Suave SSW-07

2.3 ETIQUETA DE IDENTIFICACIÓN DEL ARRANCADOR SUAVE SSW-07

Español

Modelo del SSW-07

Numero de serie

Ítem de stock WEG

Versión del "Software"

Fecha de fabricación

Datos de la entrada (tensión, nº de fases, corriente, frecuencia)

Datos de la alimentación de control (tensión, frecuencia)

WEG MADE IN BRAZIL
 MOD.: BRSSW070130T5SZ MAT.: 10194176 V 1.31
 OP.: 11459675 SERIAL#: 1003190503 16/10/2008
 REDE/LINE: 220-575V 3~ 130A 50-60Hz
 ALIM.CONTR./CONTROL SUPPLY: 94-264V AC 50-60Hz

7 894 171 148 066
 LISTED INB. CONT. EQ. 16KVM
 CE

Figura 2.3 - Etiqueta de identificación del Arrancador Suave SSW-07

Posición de la etiqueta de identificación en el Arrancador Suave SSW-07:

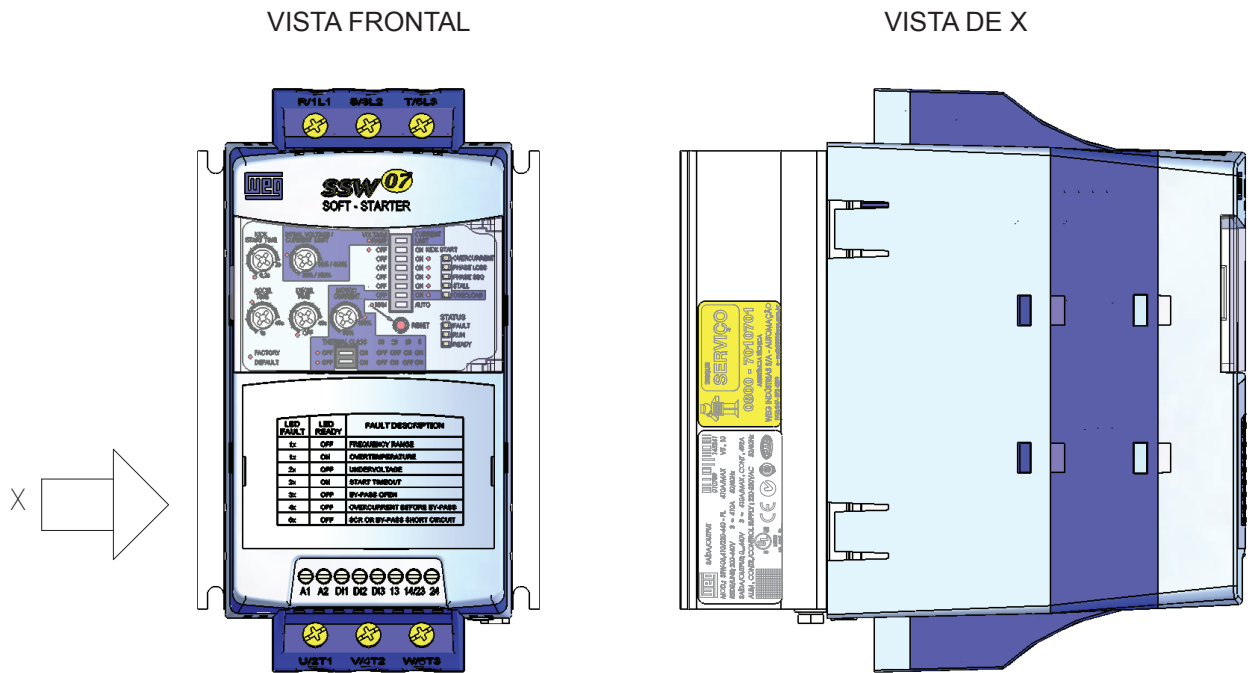


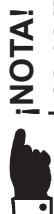
Figura 2.4 - Ubicación de las etiquetas

COMO ESPECIFICAR EL MODELO DEL SSW-07

EX	SSW07	0017	T	5	S	--	--	Z
Mercado	Arrancador Suave WEG serie SSW-07	Corriente nominal del SSW-07	Alimentación Trifásica	220-575 Vca	Opcionales: S = Estándar O = con opcionales	Grado de Protección	Hardware Especial	Fin del Código
BR = Brasil		0017 = 17 A				En blanco = Estándar	En blanco = Estándar	
EX = Exportación		0024 = 24 A				IP = IP20 ⁽¹⁾	H1 = Alimentación de la electrónica: 110 a 130 VAC ⁽²⁾	
		0030 = 30 A					H2 = Alimentación de la electrónica: 208 a 240 VAC ⁽²⁾	
		0045 = 45 A						S1 = Software Especial
		0061 = 61 A						
		0085 = 85 A						
		0130 = 130 A						
		0171 = 171 A						
		0200 = 200 A						
		0255 = 255 A						
		0312 = 312 A						
		0365 = 365 A						
		0412 = 412 A						

(1) Solamente para los modelos 130 A hasta 412 A.

(2) Solamente para los modelos de 255 A hasta 412 A.



¡NOTA!

Los campos opcionales (S o O) definen si el Arrancador Suave SSW-07 será en la versión estándar o se tendrá opcionales. Si fuera estándar, aquí termina el código.

Colocar también siempre la letra Z en el fin.

Por ejemplo:

EXSSW070017T5SZ = Arrancador Suave SSW-07 de 17 A entrada trifásica 220-575 Vca con manual en inglés, español y portugués.

Si tuviera opcionales, los campos deberán sierreñ rellenos en la secuencia correcta hasta el código ser finalizado con la letra Z .

El producto estándar, para efecto de este código, es proyectado en:

- Grado de protección IP20 de 17 A a 85 A y IP00 de 130 A a 412 A.

**2.4 RECIBIMIENTO
Y
ALMACENADO**

El Arrancador Suave SSW-07 es suministrado empaquetado en caja de cartón. En la parte externa de este embalaje existe una etiqueta de identificación que es la misma fijada en el Arrancador Suave SSW-07.

Para abrir la embalaje:

- 1- Colóquelo sobre una mesa;
- 2- Abra la embalaje;
- 3- Retire el Arrancador Suave.

Verifique se:

- La etiqueta de identificación del Arrancador Suave SSW-07 corresponde al modelo comprado;
- Ocurrencia de daños durante el transporte. Caso fuera detectado algún problema, contacte inmediatamente la transportadora;
- Si el Arrancador Suave SSW-07 no fuera luego instalado, mantenerlo dentro del embalaje cerrado y almacenado en un lugar limpio y seco con temperatura entre -25 °C y 65 °C. 1 hora en -40 °C es permitido.

Modelo SSW-07	Altura H mm (in)	Anchura L mm (in)	Profundidad P mm (in)	Volumen cm ³ (in ³)	Peso kg (lb)
17 A 24 A 30 A	221 (8.70)	180 (7.09)	145 (5.71)	5768 (352.2)	1.65 (3.64)
45 A 61 A 85 A	260 (10.24)	198 (7.80)	245 (9.65)	12613 (770.8)	3.82 (8.42)
130 A 171 A 200 A	356 (14.02)	273 (10.75)	295 (11.61)	28670 (1750)	8.36 (18.43)
255 A 312 A 365 A 412 A	415 (16.34)	265 (10.43)	320 (12.6)	35192 (2147)	12.8 (28.2)

Tabla 2.1 - Dimensiones de la embalaje en mm (in)

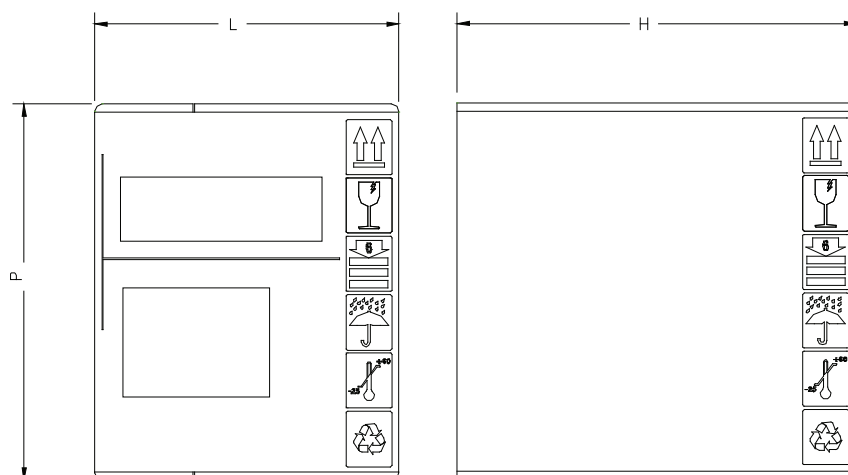


Figura 2.5 - Dimensiones de la embalaje

INSTALACIÓN Y CONEXIÓN

Este capítulo describe los procedimientos de instalación eléctrica y mecánica del Arrancador Suave SSW-07. Las orientaciones y sugerencias deben ser seguidas para la búsqueda del correcto funcionamiento del Arrancador Suave SSW-07.

3.1 INSTALACIÓN MECÁNICA

3.1.1 Condiciones Ambientales

La ubicación de los Arrancadores Suaves SSW-07 es factor determinante para la obtención de un funcionamiento correcto y una vida normal de sus componentes.

Evitar:

- Exposición directa a los rayos solares, lluvia, humedad excesiva o niebla salina;
- Gases o líquidos explosivos o corrosivos;
- Vibración excesiva, polvo o partícula metálicas y/o aceites suspensos en el aire.

Condiciones Ambientales Permitidas:

- Temperatura: 0 °C a 55 °C - condiciones nominales.
- Humedad relativa del aire: 5 % a 90 % sin condensación.
- Altitud máxima: 1000 m arriba del nivel del mar - condiciones nominales.
De 1000 m a 4000 m arriba del nivel del mar - reducción de la corriente de 1 % para cada 100 m arriba de los 1000 m.
De 2000 m a 4000 m arriba del nivel del mar - reducción de la tensión de 1.1 % para cada 100 m arriba de los 2000 m.
- Grado de contaminación: 2 (conforme UL508).
Normalmente, solamente polución no conductiva. La condensación no debe causar conducción en las partículas contenidas en el aire.

3.1.2 Dimensiones del Arrancador Suave SSW-07

La figura 3.1, en sistema con la tabla 3.1, trae las dimensiones externas de los agujeros para fijación del Arrancador Suave SSW-07.

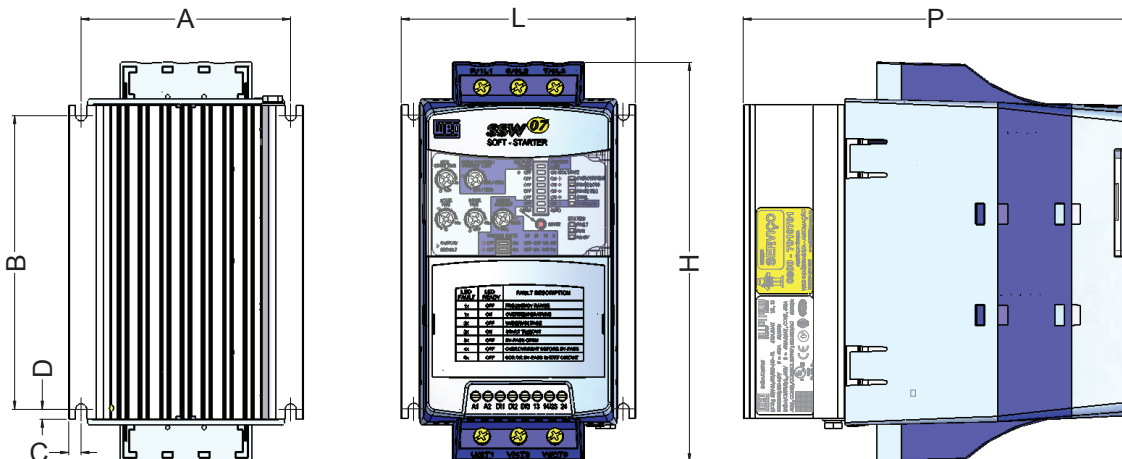


Figura 3.1 - Dimensional de la SSW-07

Modelo SSW-07	Alt. H mm (in)	Anch. L mm (in)	Profund P mm (in)	A mm (in)	B mm (in)	C mm (in)	D mm (in)	Tornillo p/ Fijación	Peso kg (lb)	Grado de Protección
17 A 24 A 30 A	162 (6.38)	95 (3.74)	157 (6.18)	85 (3.35)	120 (4.72)	5 (0.20)	4 (0.16)	M4	1.3 (2.9)	IP20
45 A 61 A 85 A	208 (8.19)	144 (5.67)	203 (7.99)	132 (5.2)	148 (5.83)	6 (0.24)	3.4 (0.13)	M4	3.3 (7.28)	IP20
130 A 171 A 200 A	276 (10.9)	223 (8.78)	220 (8.66)	208 (8.19)	210 (8.27)	7.5 (0.3)	5 (0.2)	M5	7.6 (16.8)	IP00 *
255 A 312 A 365 A 412 A	331 (13.0)	227 (8.94)	242 (9.53)	200 (7.87)	280 (11.0)	15 (0.59)	9 (0.35)	M8	11.5 (25.4)	IP00 *

* IP20 con Kit opcional.

Tabla 3.1 - Datos para la instalación con dimensiones en mm (in)

3.1.3 Posicionamiento/ Fijación Para la instalación del Arrancador Suave SSW-07 se debe dejar en el mínimo los espacios libres al rededor del Arrancador Suave conforme la figura 3.2 presentada a seguir. Las dimensiones de cada espacio libre están disponibles en la tabla 3.2.

Modelo SSW-07	A mm (in)	B mm (in)	C mm (in)
17 A 24 A 30 A	50 (2)	50 (2)	30 (1.2)
45 A 61 A 85 A	80 (3.2)	80 (3.2)	30 (1.2)
130 A 171 A 200 A	100 (4)	100 (4)	30 (1.2)
255 A 312 A 365 A 412 A	150 (6)	150 (6)	30 (1.2)

Tabla 3.2 - Espacios libres recomendados

Instalar el Arrancador Suave SSW-07 en la posición vertical de acuerdo con las siguientes recomendaciones:

- 1) Instalar en superficie razonablemente plana;
- 2) No colocar componentes sensibles al calor luego arriba del Arrancador Suave SSW-07.



¡ATENCIÓN!

Si montar un Arrancador Suave SSW-07 arriba del otro, usar la distancia mínima A + B y desviar del Arrancador Suave superior el aire caliente que viene del Arrancador Suave inferior.



¡ATENCIÓN!

Prever conduítes o electroductos independientes para la separación física de los cables conductores de la señal, de control y de la potencia (mirar ítem 3.2 - Instalación Eléctrica).

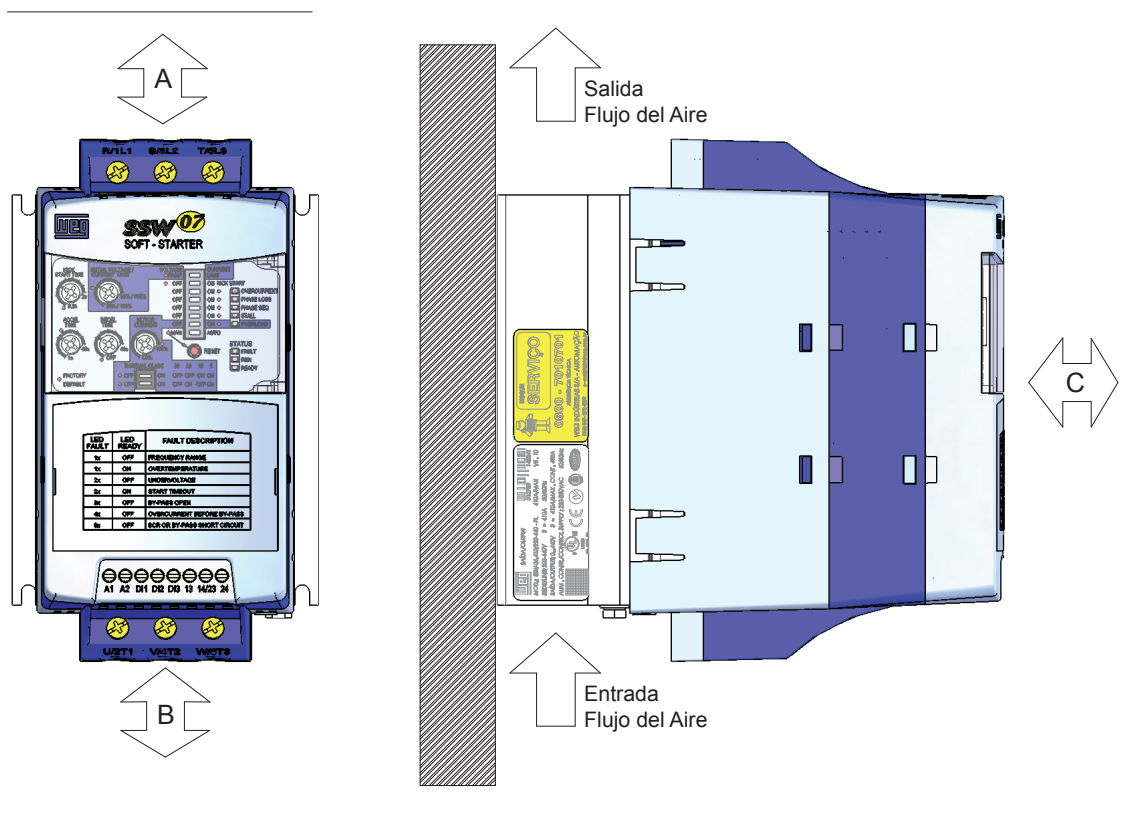


Figura 3.2 - Espacios libres para la ventilación

3.1.3.1 Montaje en Tablero

Para los Arrancadores Suaves SSW-07 instaladas dentro de tablero o de cajas metálicas cerradas, proveer extractor adecuada para que la temperatura quede dentro del rango permitido. Mirar potencias nominales disipadas en la tabla 3.3.

Modelo SSW-07	Potencia disipada en la electrónica (W)	Potencia media disipada con 10 partidas / hora 3 x In @ 30s (W)	Potencia media total disipada con 10 partidas / hora 3 x In @ 30s (W)
17 A	12	15.3	27.3
24 A	12	21.6	33.6
30 A	12	27	39
45 A	12	41	53
61 A	12	55	67
85 A	12	77	89
130 A	12	117	129
171 A	12	154	166
200 A	12	180	192
255 A	12	230	242
312 A	12	281	293
365 A	12	329	341
412 A	12	371	383

Tabla 3.3 - Potencias disipadas para dimensionado del ventilador del tablero

3.1.3.2 Montaje en Superficie

La figura 3.3 presenta la instalación del Arrancador Suave SSW-07 en la superficie de una placa de montaje.

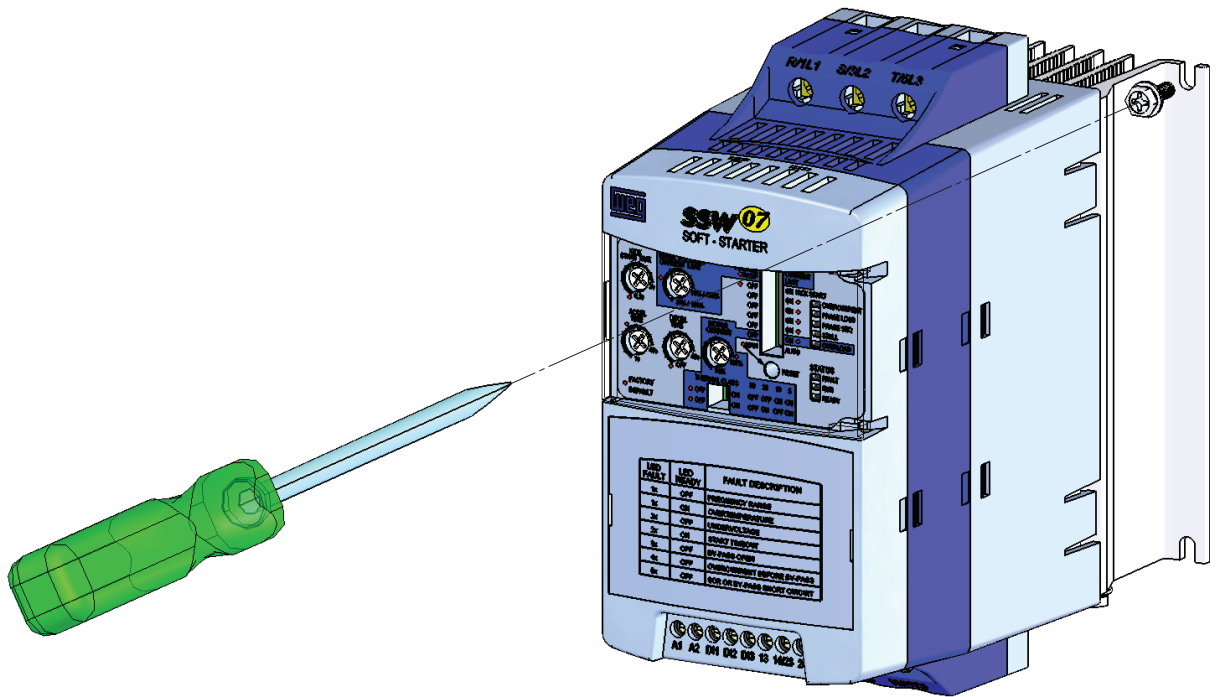


Figura 3.3 - Procedimiento de instalación del SSW-07 en superficie

3.2 INSTALACIÓN ELÉCTRICA



¡PELIGRO!

El Arrancador Suave SSW-07 no puede ser utilizado como mecanismo para parada de emergencia.



¡PELIGRO!

Certifíquese que la red de alimentación está desconectada antes de iniciar las conexiones.



¡ATENCIÓN

Las informaciones a seguir pueden ser usadas como guía para se obtener una instalación correcta. Siga también las normas de instalación eléctricas aplicables.



¡ATENCIÓN

Si en la primera energización no se utiliza un contactor o un disyuntor de aislamiento de la potencia con bobina de mínima tensión, energice primero la electrónica, ajuste los trimpots necesarios para poner el SSW-07 en funcionamiento y solamente después energice la potencia.

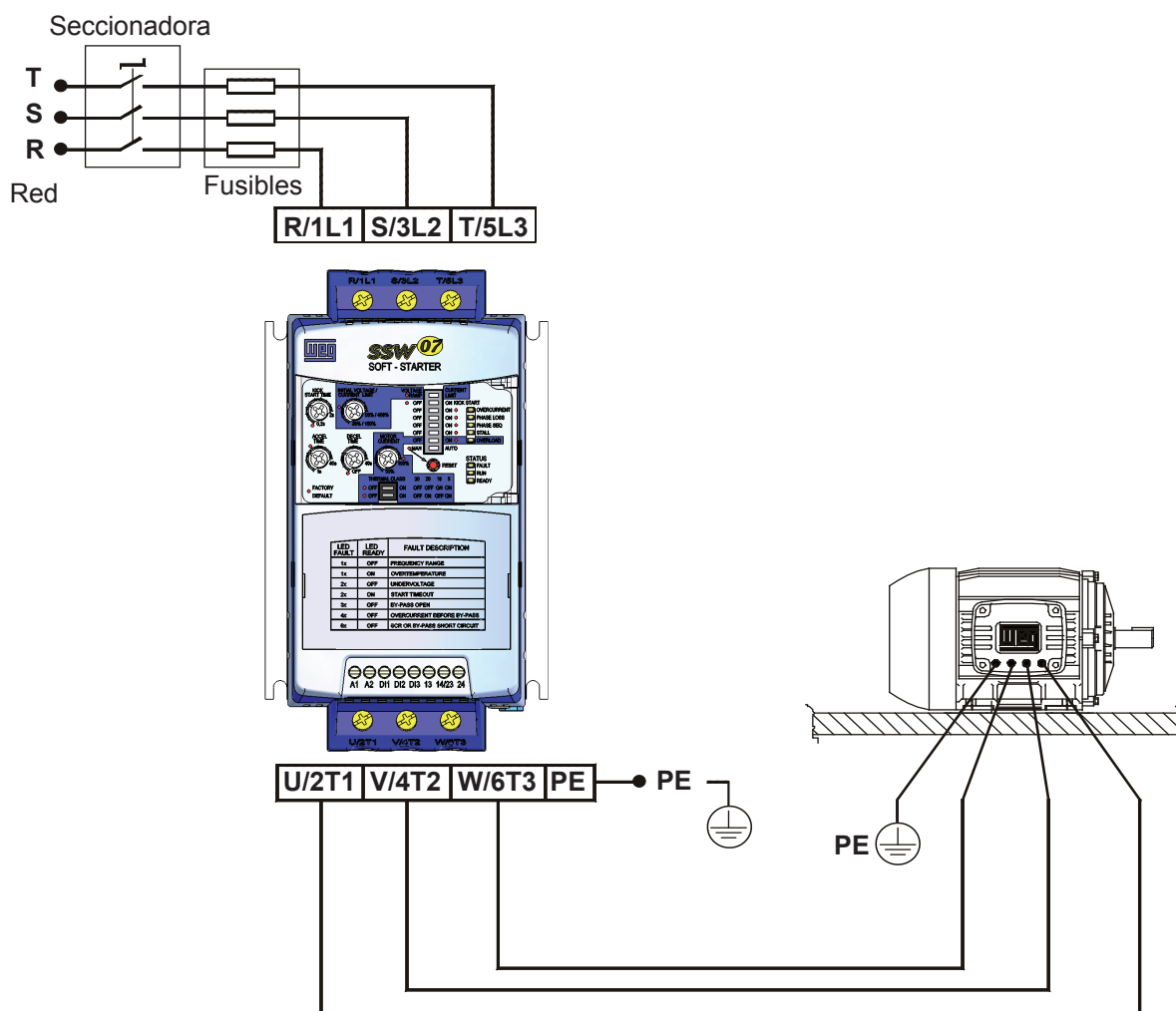


Figura 3.4 - Conexiones de potencia y de puesta a tierra para conexión padrón

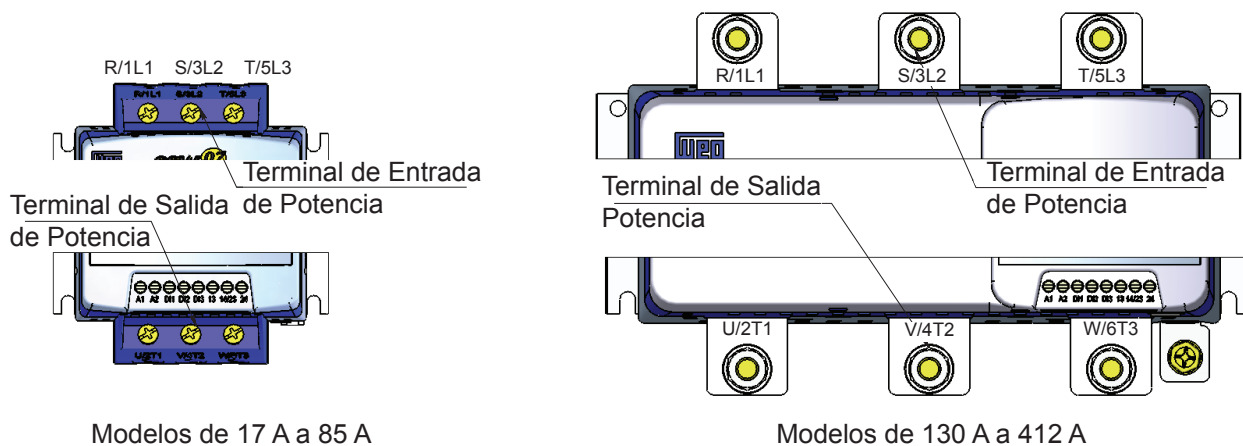
3.2.1 Terminales de Potencia

Los bornes de conexión de potencia cambian de mecánicas y configuraciones dependiendo del modelo del Arrancador Suave SSW-07, como se puede observar en las figuras 3.5 y 3.6.

Terminales:

R / 1L1, S / 3L2 y T / 5L3: Red de alimentación de la potencia.

U / 2T1, V / 4T2 y W / 6T3: Conexión para el motor.



Modelos de 17 A a 85 A

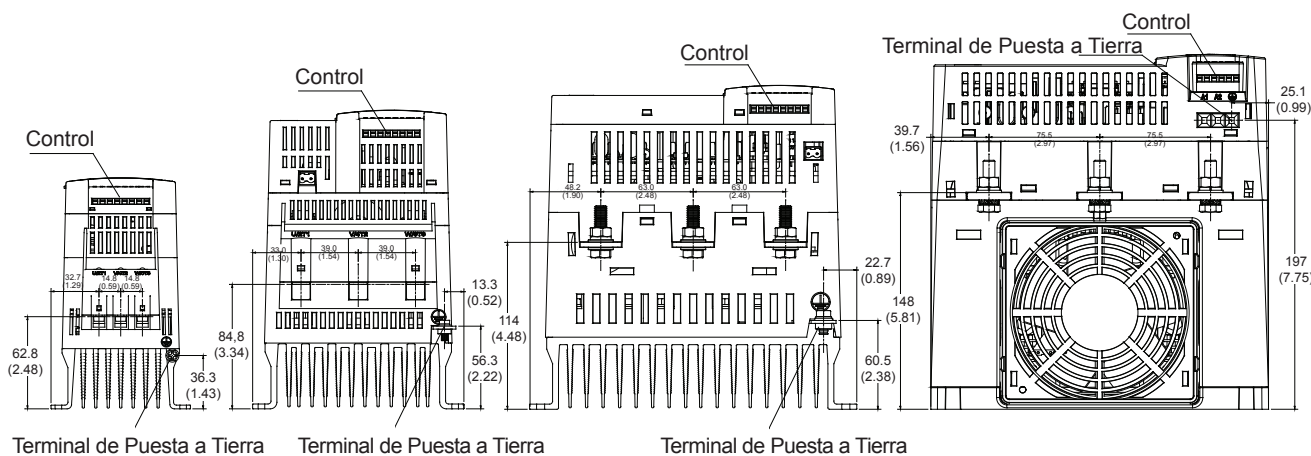
Modelos de 130 A a 412 A

Figura 3.5 - Terminales de potencia

Modelo SSW-07	Mecánica	Red / Motor		Puesta a Tierra	
		Tornillo / Terminal	Torque (Par) (Nm)	Tornillo	Torque (Par) (Nm)
17 A 24 A 30 A	MEC-01	Terminal	3 (27)	M4 (5/32")	4.5 (40)
45 A 61 A 85 A					
130 A 171 A 200 A	MEC-03	M8 (5/16")	19 (168)	M6 (1/4")	8.3 (73)
255 A 312 A 365 A 412 A					
	MEC-04	M10 (3/8")	37 (328)	Borne	0.5 (4.5)

Tabla 3.4 - Máximo torque (par) en los terminales de conexión de la potencia

3.2.2 Ubicación de las Conexiones de Potencia, Puesta a Tierra y Control



Dimensiones en mm(in).

Figura 3.6 - Ubicación de las conexiones de potencia, puesta a tierra y control

Español

3.2.3 Cables de Potencia y de Puesta a Tierra Propuestos

Las especificaciones descritas en la tabla 3.5 son validas solamente para las siguientes condiciones:

- ☑ Cables de Cobre con aislamiento de PVC 70 °C, temperatura ambiente de 40 °C, instalados en canaletas agujeradas y no amontonadas (aglomeradas);
- ☑ Barramiento de cobre nudo o plateado con cantos (esquina) arredondeados de 1 mm de rayo, temperatura 80 °C y temperatura ambiente de 40 °C.



¡NOTA !

Para el correcto dimensionado de los cableados llevar en cuenta las condiciones de la instalación y la máxima caída de tensión permitida.

Modelo SSW-07	Cable de potencia (mm ²)	Cable de puesta a tierra (mm ²)
17 A	2.5	4
24 A	4	6
30 A	6	6
45 A	10	6
61 A	16	10
85 A	25	10
130 A	50	25
171 A	70	35
200 A	95	50
255 A	120	2.5
312 A	185	2.5
365 A	240	2.5
412 A	240	2.5

Tabla 3.5 - Especificaciones de las espesuras mínimas de los cableados

3.2.4 Conexiones de la Red de Alimentación al Arrancador Suave SSW-07



¡PELIGRO!

La tensión de red debe ser compatible con el rango de tensión del Arrancador Suave SSW-07.



¡PELIGRO!

Prever un equipamiento para seccionar la alimentación del Arrancador Suave SSW-07. Este debe seccionar la red de alimentación para el Arrancador Suave SSW-07 cuando necesario (por ejemplo: durante trabajos de mantenimiento).

Si una llave aislada o contactor fuera inserido en la alimentación del motor nunca opérelos con el motor girando o con el Arrancador Suave SSW-07 habilitado.



¡ATENCIÓN!

El control de sobretensión en la red que alimenta el Arrancador Suave debe ser hecho a través de protectores de sobretensión con tensión de actuación de 680 Vca (conexión fase fase) y capacidad de absorción de energía de 40 joules (modelos de 17 A hasta 200 A) y 80 joules (modelos de 255 A hasta 412 A).



¡NOTA!

Utilizar en el mínimo las espesuras de cableados y los fusibles recomendados en las tablas 3.5 y 3.7. El torque (par) de aprieto del el conector es indicado en la tabla 3.4. Use cableado de cobre (70 °C) solamente.

3.2.4.1 Capacidad de la Red de Alimentación

El Arrancador Suave SSW-07 es adecuado para ser utilizado en un circuito capaz de suministrar no más que “X” (conforme tabla 3.6) amperes “rms” simétricos, “Y” volts máximo, cuando protegidos a través de fusibles ultra rápidos.

Modelo SSW-07	Y = 220-575 V X (kA)
17 A	5
24 A	5
30 A	5
45 A	5
61 A	5
85 A	10
130 A	10
171 A	10
200 A	10
255 A	18
312 A	18
365 A	18
412 A	30

Tabla 3.6 - Máxima Capacidad de corriente de la fuente de alimentación

3.2.4.2 Fusibles Recomendados

Se debe utilizar en la entrada de la alimentación fusibles del tipo ultra rápido (U.R.), los cuales protegerán el SSW-07 contra cortocircuito. Es posible utilizar otros dispositivos de protección contra cortocircuito que protegerán la instalación, sin embargo en este caso el SSW-07 se quedará desprotegido.

Modelo SSW-07	Corriente Nominal del Fusible (A)	Máximo I ² t (10 ³ x A ² s)
17 A	50	0,57
24 A	80	3,2
30 A	80	3,2
45 A	100	6,4
61 A	125	8,4
85 A	200	40,9
130 A	315	77,6
171 A	450	134
200 A	500	196
255 A	400	72,5
312 A	500	190
365 A	550	190
412 A	700	256

Tabla 3.7 - Fusibles recomendados

- 3.2.4.3 Contactores Recomendados Cuando el SSW-07 fuera utilizado en aplicaciones que necesitan del uso de un contactor de aislamiento, de acuerdo con la a figura 3.10(K1), se recomienda el uso de contactores WEG.

Modelo SSW-07	Contador WEG
17 A	CWM18
24 A	CWM25
30 A	CWM32
45 A	CWM50
61 A	CWM65
85 A	CWM95
130 A	CWM150
171 A	CWM180
200 A	CWM250
255 A	CWM250
312 A	CWM300
365 A	CWME400
412 A	CWME400

Tabla 3.8 - Contactores recomendados

3.2.5 Conexiones del Arrancador Suave SSW-07 al Motor



¡PELIGRO!

Capacitores de corrección del factor de potencia nunca podrán ser instalados en la salida del Arrancador Suave SSW-07 (U/2T1, V/4T2 y W/6T3).



¡ATENCIÓN!

Para las protecciones basadas en la lectura y indicación de corriente funcionen correctamente, por ejemplo la sobrecarga, la corriente nominal del motor no deberá ser inferior a 50 % de la corriente nominal del Arrancador Suave SSW-07.



¡NOTA!

Utilizar en el mínimo las espesuras de cableados y fusibles recomendados en las tablas 3.5, 3.6 y 3.7. El torque (par) de aprieto del conector es indicado en la tabla 3.4. Use solamente cableado de cobre.



¡NOTA!

El Arrancador Suave SSW-07 posee protección electrónica de sobrecarga del motor, que debe ser ajustada de acuerdo con el motor específico. Cuando diversos motores fueren conectados al mismo Arrancador Suave SSW-07, utilice relés de sobrecarga individuales para cada motor.

3.2.5.1 Conexión Padrón del Arrancador Suave SSW-07 al Motor con Tres Cables

Corriente de línea del Arrancador Suave SSW-07 igual a la corriente del motor.

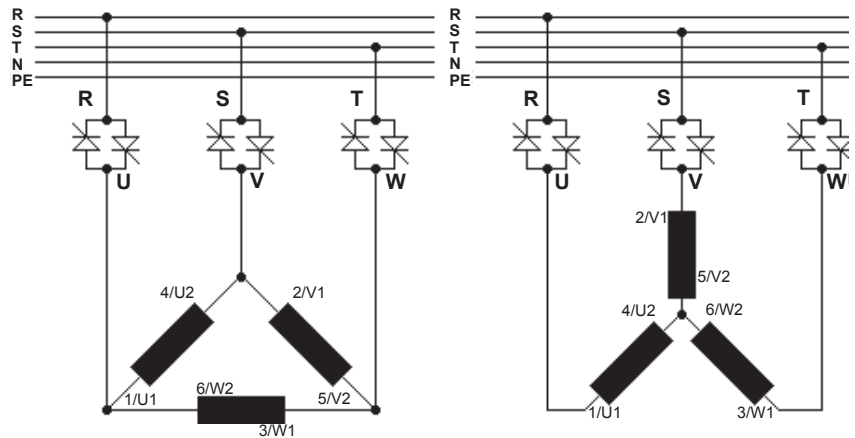


Figura 3.7 - Arrancador Suave SSW-07 con conexión padrón

3.2.6 Conexiones de Puesta a Tierra



¡PELIGRO!

Los Arrancadores Suaves SSW-07 deben ser obligatoriamente puestos a tierra de protección (PE).

La conexión de puesta a tierra debe seguir las normativas locales. Conéctelo a una barra de aterramiento específica o al punto de puesta a la tierra específico o al punto de aterramiento general (resistencia ≤ 10 ohms).



¡PELIGRO!

La red que alimenta el Arrancador Suave SSW-07 debe ser solidamente puesta a tierra.



¡PELIGRO!

Para poner a tierra no utilice el conductor neutro y si un conductor específico.



¡ATENCIÓN!

No compartir el cableado de puesta a tierra con otros equipamientos que operen con altas corrientes (ej.: motores de alta potencia, máquinas de soldadura, etc). Cuando varios Arrancadores Suaves SSW-07 fueren utilizados, observar las conexiones en la figura 3.8.

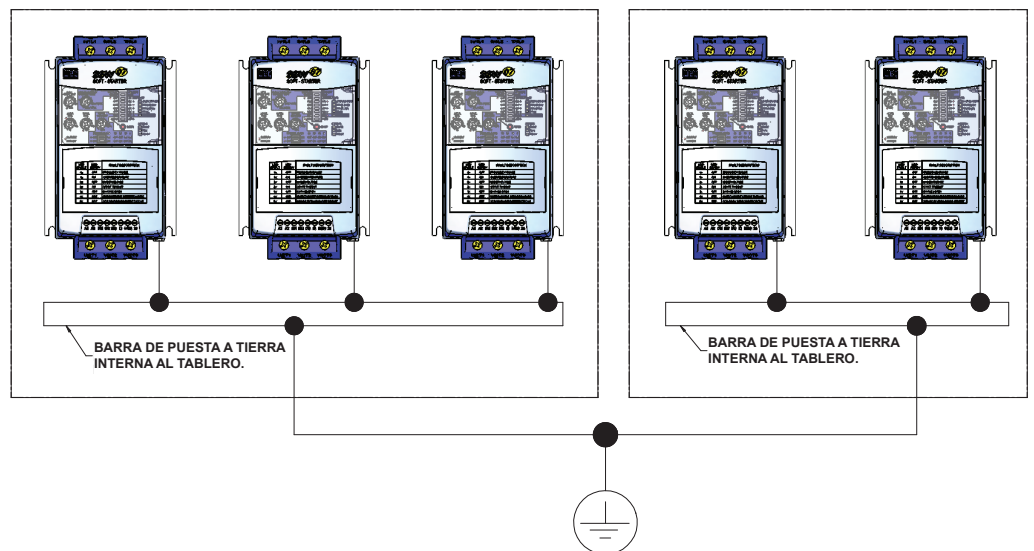


Figura 3.8 - Conexiones de puesta a tierra para más de un Arrancador Suave SSW-07

EMI - Interferencia Electromagnética

El Arrancador Suave SSW-07 es desarrollado para ser utilizado en sistemas industriales (Categoría A), conforme la normativa EN60947-4-2. Es necesario desplazar los equipamientos y cableados sensibles en 0,25 m del Arrancador Suave SSW-07 y de los cableados entre Arrancador Suave SSW-07 y motor. Ejemplo: Cableado de PLCs, controladores de temperatura, cables de termopar, etc.

Puesta a Tierra de la Carcasa del Motor

El cableado de salida del Arrancador Suave SSW-07 para el motor debe ser instalado separado del cableado de entrada de la red, bien como del cableado de control y de la señal.

3.2.7 Conexiones de Señal y Control Las conexiones de control (entradas digitales y salidas a relé) son hechas a través de los terminales (mirar posicionamiento en la figura 3.9).


Terminal	Descripción	Especificación	Torque Nm (Par)
A1	Alimentación de la Electrónica	Tensión: 110 Vca a 240 Vca (-15 % a +10 %) (modelos de 17 A hasta 200 A), 110 Vca a 130 Vca o 208 a 240 Vca (-15 % a +10 %) (modelos de 255 A hasta 412 A)	0,5
A2			
	Puesta a Tierra	Solamente para los modelos 255 A hasta 412 A	
Terminal	Padrón de Fábrica	Especificación	
DI1	Acciona / Desaciona el motor	3 entradas digitales aisladas Tensión 110 Vca a 240 Vca (-15 % a +10 %) Corriente: 2 mA Máx.	
DI2	Reset de Errores		
DI3	Reset de Errores		
13	Salida a relé - Operación	Capacidad de los contactos: Tensión: 250 Vca Corriente: 1 A	
14/23	Punto Común de los relés		
24	Salida relé 2 – Tensión Plena		

Tabla 3.9 - Descripción de los terminales de los conectores de control

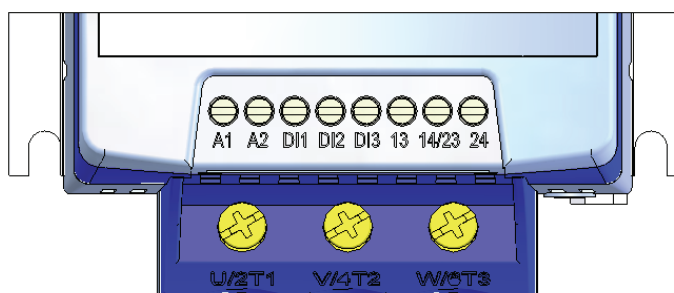


Figura 3.9 - Terminales de control de la SSW-07

3.3 ACCIONA-
MIENTOS
PROPUESTOS

Aquí son presentados algunos accionamientos propuestos, los cuales pueden ser usados por entero o en parte para implementar el accionamiento deseado.

Las principales notas de advertencia, para todos los accionamientos sugestivos, son presentados abajo y están relacionadas con los proyectos a través de los suyos respectivos números:



¡NOTAS!

- ① Para la protección de toda la instalación eléctrica es necesaria la utilización de fusibles o disyuntores en el circuito de entrada. No es necesaria la utilización de fusibles ultra rápidos para el funcionamiento del Arrancador Suave SSW-07, sin embargo su utilización es recomendada para la completa protección del Arrancador Suave.
- ② El transformador “T1” es opcional y debe ser utilizado cuando ocurrir diferencia entre la tensión de la red de alimentación y la tensión de alimentación de la electrónica.
- ③ Caso ocurran daños en el circuito de potencia del Arrancador Suave SSW-07 que mantengan el motor accionado (por ejemplo: cortocircuito en los tiristores), la protección del motor es obtenida con la utilización del contactor (K1) o del disyuntor (Q1) de aislamiento de potencia.
- ④ Botonera Acciona.
- ⑤ Botonera Desacciona.
- ⑥ Llave acciona/desacciona, recuerda que al utilizar comando por entrada digital a dos cables (llave normalmente abierta con retención) caso ocurra falta de energía eléctrica, al regresar, el motor será accionado inmediatamente si la llave permanecer cerrada.
- ⑦ En caso de mantenimiento, en el Arrancador Suave SSW-07 o en el motor, es necesario retirar los fusibles de entrada o seccionar la entrada de alimentación para garantizar la completa desconexión del equipamiento de la red de alimentación.
- ⑧ La emergencia puede ser utilizada cortándose la alimentación de la electrónica.
- ⑨ Bobina de mínima tensión del disyuntor de aislamiento de la potencia Q1.

3.3.1 Accionamiento Propuesto con Comando por Entradas Digitales a Dos Cables y Contactor de Aislamiento de la Potencia

Mirar notas en el ítem 3.3.

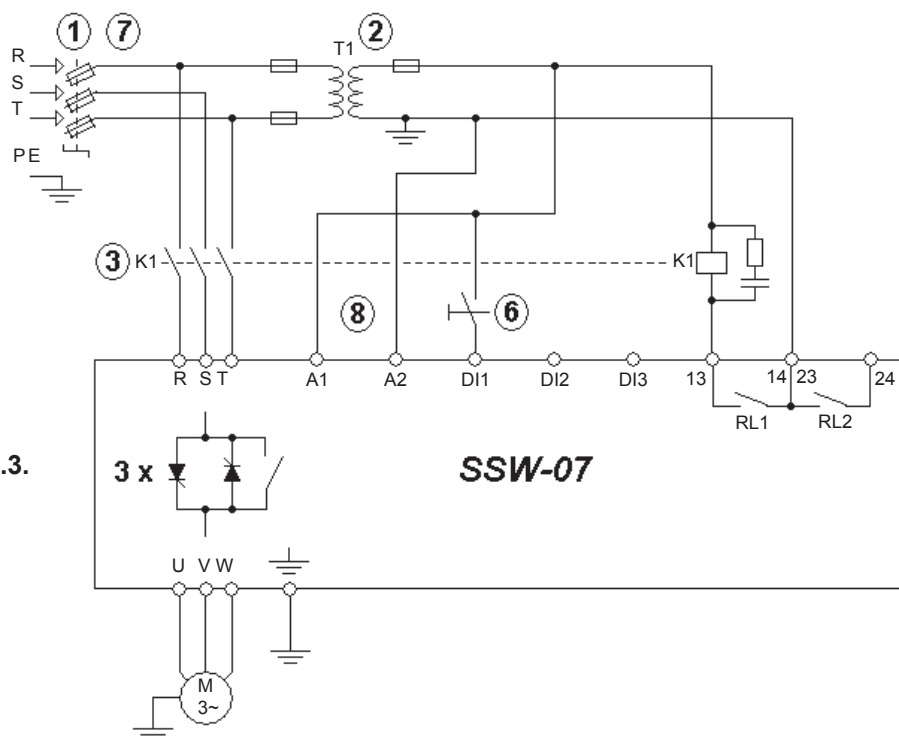


Figura 3.10 - Accionamiento propuesto con comando por entradas digitales a dos cables y contactor de aislamiento de la potencia

Español

3.3.2 Accionamiento Propuesto con Comando por Entradas Digitales a Tres Cables y Disyuntor de Aislamiento de la Potencia

Mirar notas en el ítem 3.3.

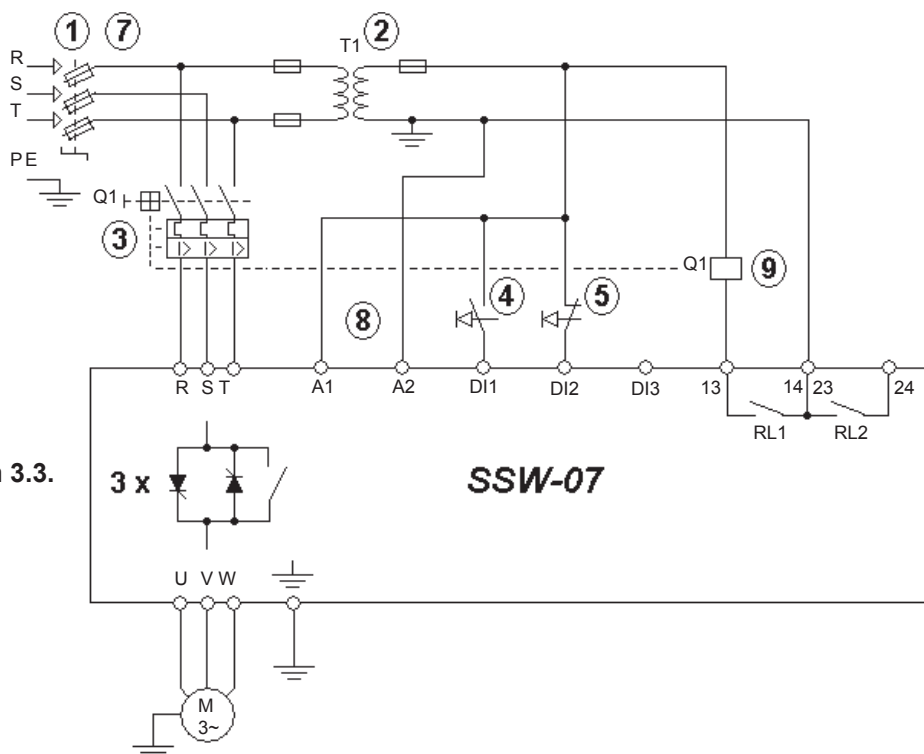


Figura 3.11 - Accionamiento propuesto con comando por entradas digitales a tres cables y disyuntor de aislamiento de la potencia



¡NOTA!


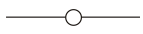
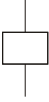
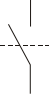

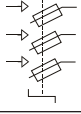

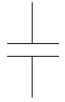
Es necesario programar la entrada digital DI2 para la función comando a 3 cables. Mirar ítem 4.10.



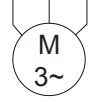
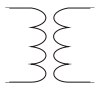

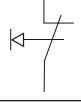
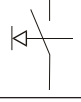
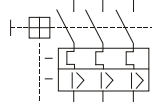


¡NOTA!

El RL1 precisa ser programado para la función "sin error". Mirar ítem 4.12.

3.3.3 Simbología

	Conexión eléctrica entre dos señales
	Terminal para conexión
	Bobina relé, contactor
	Contacto normalmente abierto
	Señalero
	Seccionadora o Disyuntor (abertura bajo carga)
	Resistor
	Capacitor

	Fusible
	Tiristor/SCR
	Motor trifásico
	Transformador
	Llave N.A. (con retención)
	Botonera push-botton normalmente cerrada
	Botonera push-botton normalmente abierta
	Disyuntor con bobina de mínima tensión

COMO AJUSTAR EL SSW-07

Este capítulo describe los procedimientos necesarios para el correcto funcionamiento del Arrancador Suave SSW-07.

4.1 AJUSTE DEL TIPO DE CONTROL

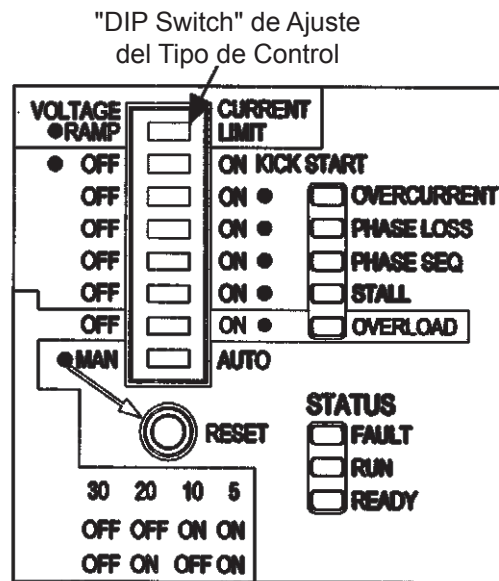


Figura 4.1 - Ajuste del tipo de control

Seleccionar el tipo de control de arranque que mejor se adapta a su aplicación.

Arranque con rampa de tensión:

Este es el método más utilizado. Muy fácil de programar y ajustar. El Arrancador Suave SSW-07 impone la tensión aplicada al motor. Generalmente aplicado a cargas con torque (par) inicial más bajo o torque (par) cuadrático.

Este tipo de control puede ser usado como un teste inicial de funcionamiento.

Arranque con Limitación de Corriente:

El máximo nivel de corriente es mantenido durante el arranque y es ajustado de acuerdo con las necesidades de la aplicación.

Generalmente aplicado a cargas con torque (par) inicial más alto o torque (par) constante.

Este tipo de control es utilizado para adecuar el arranque a los límites de capacidad de la red de alimentación.

4.2 KICK START

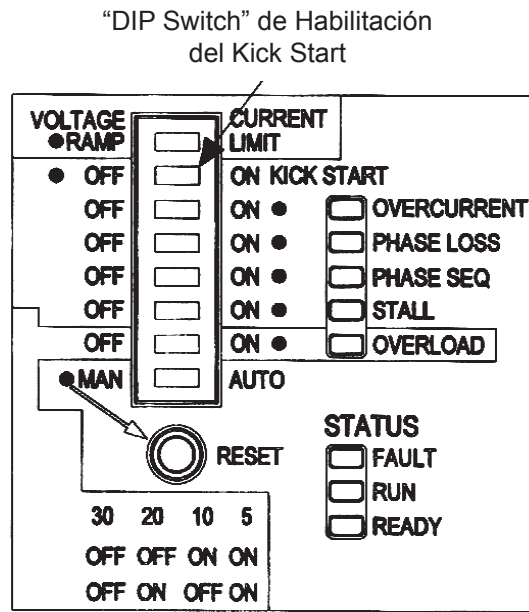


Figura 4.2 - Habilitación del Kick Start

El Arrancador Suave SSW-07 posibilita la utilización de un pulso de torque (par) en el arranque para cargas que presentan una grande resistencia inicial al movimiento.

Esta función es habilitada a través de la “DIP Switch” Kick Start. El tiempo de duración del pulso de tensión es ajustable a través del trimpot Kick Start Time.

El pulso de tensión aplicado es de 80 % Un durante el tiempo programado en el Kick Start Time.



¡NOTA!

Utilizar esta función solamente para aplicaciones específicas donde ocurra la necesidad.

4.3 AJUSTE DE LA TENSIÓN INICIAL

Ajustar el valor de la tensión inicial para el valor en que empiece a girar el motor accionado por el SSW-07, tan luego el Arrancador Suave reciba el comando de acciona.

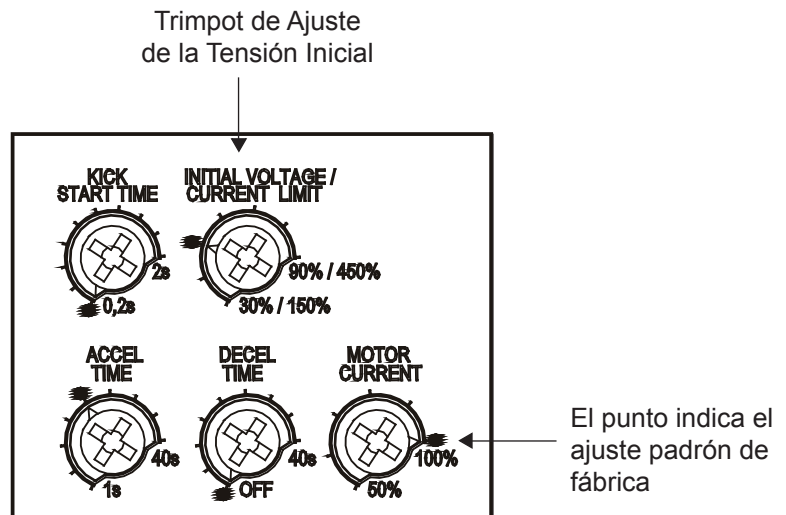


Figura 4.3 - Ajuste de la tensión inicial

Español



¡NOTA!

El trimpot Inicial Voltage posee la función de ajuste de la Tensión Inicial solamente cuando el tipo de control estuviera programado para arranque con rampa de tensión.

4.4 AJUSTE DEL LIMITE DE CORRIENTE

Este ajuste define el valor límite máximo de corriente durante el arranque del motor en porcentual de la corriente nominal del Arrancador Suave.

Si el límite es alcanzado durante el arranque del motor, el Arrancador Suave SSW-07 irá mantener la corriente en ese limite hasta el motor alcanzar el final del arranque.

Si el límite de corriente no es alcanzado el motor irá arrancar inmediatamente.

La limitación de corriente debe ser ajustada para un nivel donde se pueda observar la aceleración del motor, caso contrario el motor no irá arrancar.

Trimpot de Ajuste del Límite de Corriente

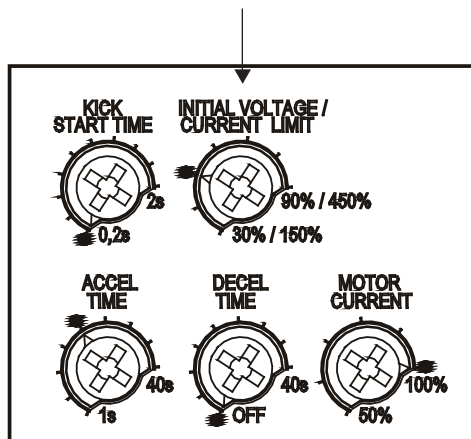


Figura 4.4 - Ajuste del límite de corriente



¡NOTAS!

Si en el final del tiempo de rampa de aceleración (ajustado en el Trimpot Accel Time), no es alcanzado la tensión plena, habrá la actuación del Error de Exceso de Tiempo de Limitación de Corriente. Este error es indicado a través del LED Fault parpadeando 2 veces con el LED Ready acceso.

El trimpot Current Limit posee la función de ajuste del Limite de Corriente solamente cuando el tipo de control esta programado para arranque con Limitación de Corriente.

Cuando el Arrancador Suave SSW-07 se encuentra programado

4.5 AJUSTE DEL TIEMPO DE LA RAMPA DE ACELERACIÓN

con control de Rampa de Tensión, este es el tiempo de la rampa de incremento de tensión.

Cuando el Arrancador Suave SSW-07 se encuentra programado con control de Límite de Corriente, este tiempo actúa como tiempo máximo de arranque, actuando como una protección contra rotor bloqueado.

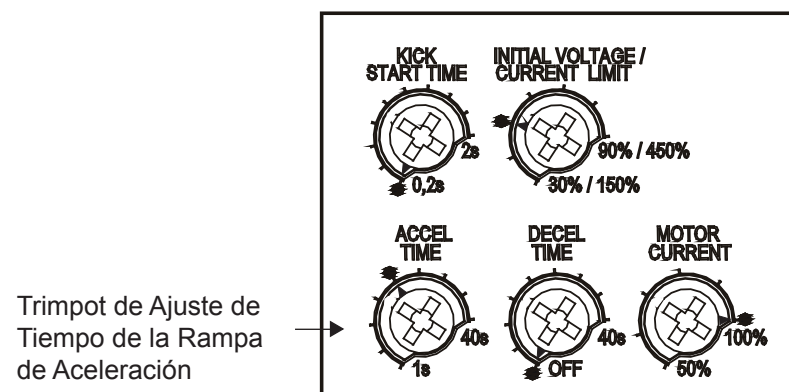


Figura 4.5 - Ajuste del tiempo de la rampa de aceleración



¡NOTA!

El tiempo de aceleración programado no es el tiempo exacto de aceleración del motor, pero sí el tiempo de la rampa de tensión o el tiempo máximo para el arranque. El tiempo de aceleración del motor dependerá de las características del motor y también de la carga.

Tomar cuidado para que en los casos en que la relación de corriente de la SSW-07 y de la Corriente nominal del motor es 1,00 el tiempo máximo que el SSW-07 puede funcionar con 3x I_n del SSW-07 es de 30 segundos.

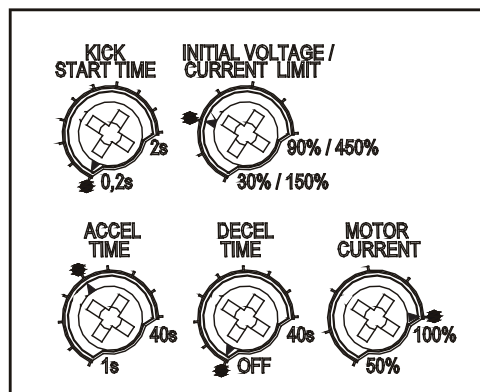
4.6 AJUSTE DEL TIEMPO DE LA RAMPA DE DESACELERACIÓN

Habilita y ajusta el tiempo de la rampa de decremento de tensión. Este ajuste debe ser utilizado solamente en desaceleración de bombas para amenizar el “Golpe de Ariete”. Este ajuste debe ser hecho para conseguir el mejor resultado práctico.



¡NOTA!

Esta función es utilizada para aumentar el tiempo de desaceleración normal de una carga y no para forzar un tiempo menor que el impuesto por la propia carga.



Trimpot de Ajuste del Tiempo de la Rampa de Desaceleración

Figura 4.6 - Ajuste del tiempo de la rampa de desaceleración

4.7 AJUSTE DE CORRIENTE DEL MOTOR

Este ajuste irá definir la relación de corriente del Arrancador Suave SSW-07 y del motor por él accionado. Este valor es de extrema importancia, pues es él quien irá definir las protecciones del motor accionado por el SSW-07.

El ajuste de esta función interfiere directamente en las siguientes protecciones del motor:

- Sobrecarga;
- Sobrecorriente;
- Rotor bloqueado;
- Falta de fase.

Ejemplo de Cálculo:
 SSW-07 utilizada: 30 A
 Motor utilizado: 25 A

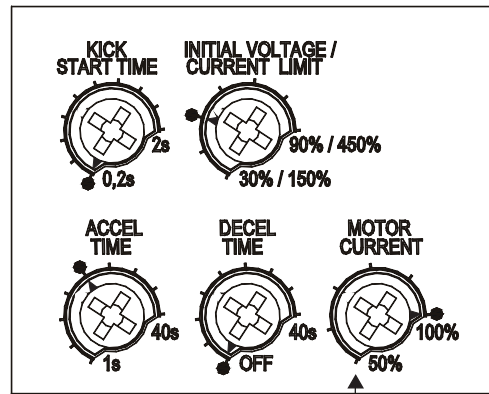
Trimpot de Ajuste de la Corriente del Motor

$$\text{Ajuste de la Corriente del Motor} = \frac{I_{\text{Motor}}}{I_{\text{SSW-07}}}$$

$$\text{Ajuste de la Corriente del Motor} = \frac{25 \text{ A}}{30 \text{ A}}$$

$$\text{Ajuste de la Corriente del Motor} = 0,833$$

Por lo tanto debe ser ajustado en 83 %



Trimpot de Ajuste de la Corriente del Motor

Figura 4.7 - Ajuste de la corriente del motor

4.8 PROTECCIÓN DE SOBRECARGA ELECTRÓNICA DEL MOTOR

La protección de sobrecarga electrónica del motor haz la simulación del calentamiento y del enfriamiento del motor, llamada de imagen térmica.

Esa simulación usa como dato de entrada el valor de corriente eficaz verdadera (True rms). La curva con el tiempo de actuación en la condición de sobrecarga del motor está definida en la figura 4.8.

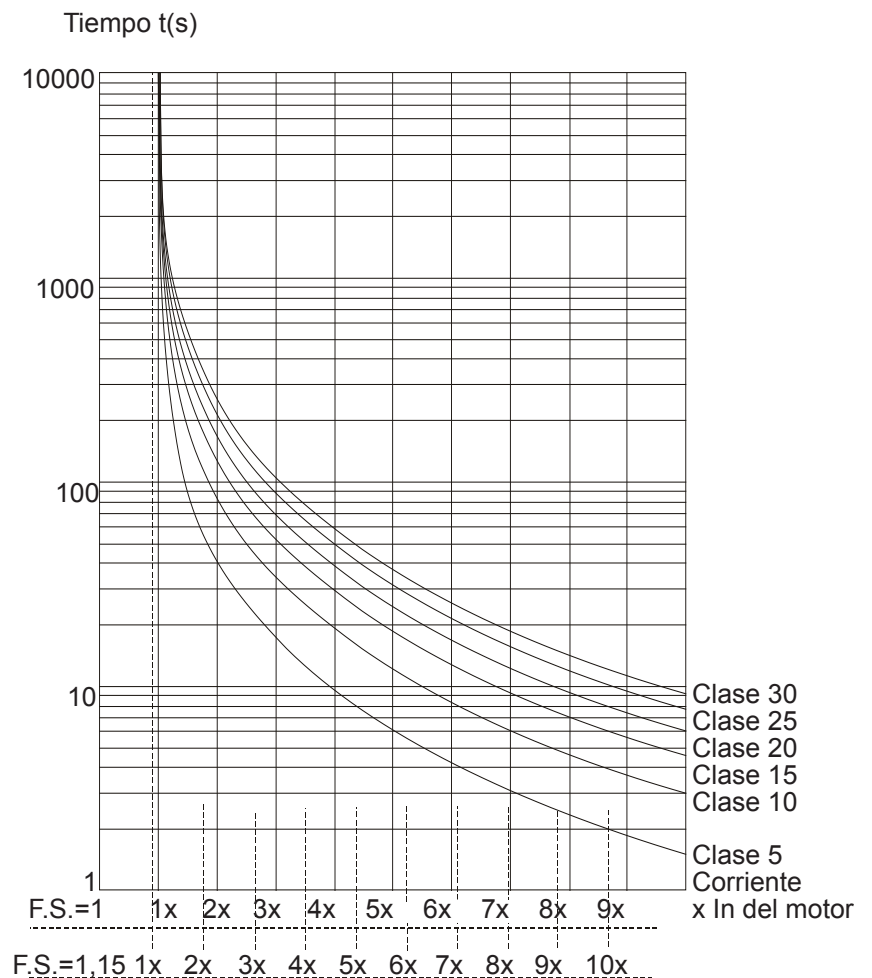


Figura 4.8 - Clases térmicas de protección del motor a frío

Español

Corriente del Motor	Clase		
	30	20	10
3xIn	101,2 s	67,5 s	33,7 s
5xIn	36,1 s	24 s	12 s
7xIn	18,3 s	12,2 s	6,1 s

Tabla 4.1 - Tiempo de las clases térmicas de protección del motor a frío con F.S.=1

Corriente del Motor	Clase		
	30	20	10
3xIn	135,1 s	90,1 s	45,1 s
5xIn	47,7 s	31,8 s	15,9 s
7xIn	24,3 s	16,2 s	8,1 s

Tabla 4.2 - Tiempo de las clases térmicas de protección del motor a frío con F.S.=1,15



¡NOTAS!

- Cuando el SSW-07 se queda sin tensión de alimentación en la electrónica (A1 y A2), la imagen térmica es guardada internamente. Al retornar la alimentación (A1 y A2) el valor de la imagen térmica retorna al valor anterior a la falta de alimentación de la electrónica;
- El RESET de la protección de sobrecarga electrónica puede ser ajustado para la función manual (man), en este caso se debe hacer el RESET vía entrada digital 2 (DI2) o a través del botón de RESET. Si el ajuste del RESET se encuentra ajustado para automático (auto), la condición de error es automáticamente reseteada después de transcurrido el tiempo de enfriamiento;
- Al desactivar la protección de sobrecarga electrónica, la imagen térmica es puesta a cero.

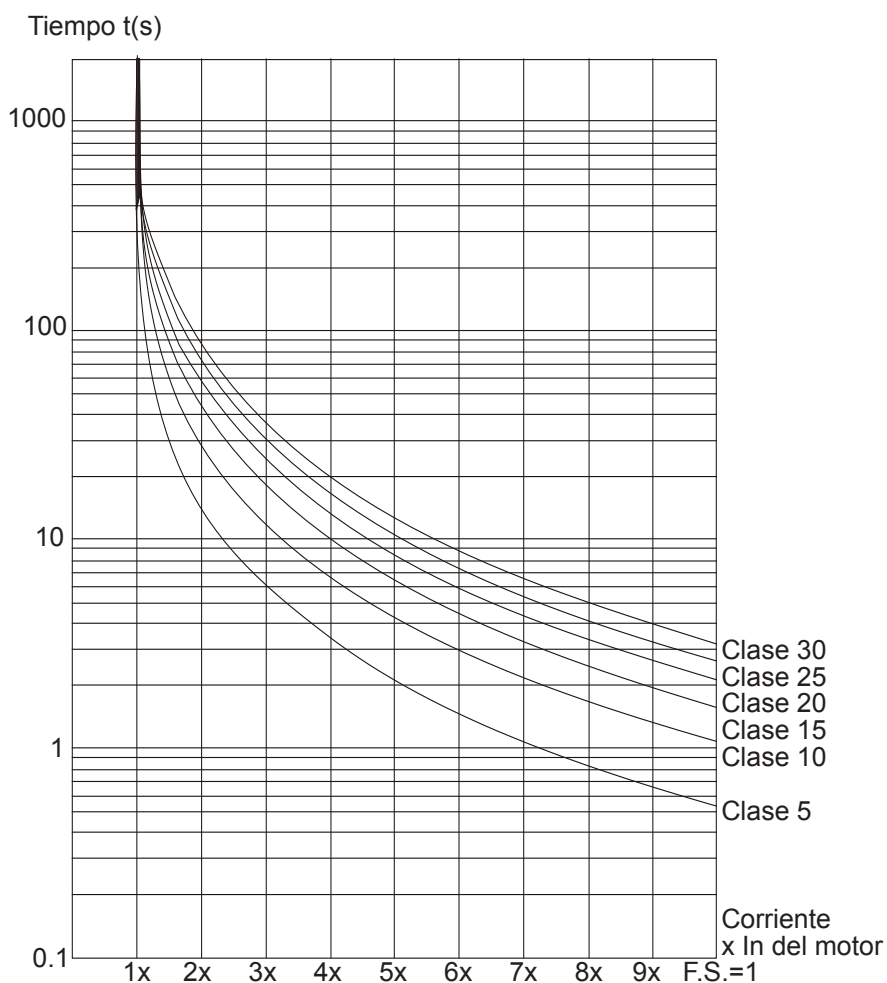


Figura 4.9 - Clases térmicas de protección del motor a caliente con 100 % I_n

Corriente del Motor	Clase		
	30	20	10
3x I_n	34,4 s	23,6 s	11,8 s
5x I_n	12,6 s	8,4 s	4,2 s
7x I_n	6,4 s	4,2 s	2,1 s

Tabla 4.3 - Tiempo de las clases térmicas de protección del motor a caliente

Corriente em % de I_n del Motor	Factor
0 % (a frío)	1
20 %	0,87
40 %	0,74
60 %	0,61
80 %	0,48
100 % (plena carga)	0,35

Tabla 4.4 - Factor de multiplicación de los tiempos de las clases térmicas a frío para obtener los tiempos de las clases térmicas a caliente

4.9 RESET

Una condición de error puede ser reseteada a través del botón de RESET en el frontal del SSW-07, o a través de una botonera pulsante (0,5 segundos) en la DI3 (entrada digital para RESET). Otro modo para efectuar el RESET en el SSW-07, es desconectar y conectar nuevamente la tensión de alimentación de la electrónica (en los terminales A1 y A2).



¡NOTAS!

En el SSW-07 existe la posibilidad de RESET automático, bastando habilitar esta función vía DIP Switch (auto):

- El tiempo para ocurrir el RESET automático después de la ocurrencia del error es de 15 minutos para las siguientes condiciones:
 - Sobrecorriente;
 - Falta de fase;
 - Rotor bloqueado;
 - Sobrecorriente antes del By-Pass;
 - Frecuencia fuera de la tolerancia;
 - Contacto del relé de By-Pass interno abierto;
 - Subtensión en la alimentación de la electrónica;
 - Error externo.
- Para secuencia de fase incorrecta no existe RESET automático;
- Para sobrecarga electrónica del motor existe un algoritmo específico para tiempo de RESET automático.

4.10 PROGRAMACIÓN DE LA ENTRADA DIGITAL DI2

En la programación padrón de fábrica, la entrada digital DI2 tiene la suya función programada para reset de errores. La DI2 puede ser también programada para funcionar con control a tres cables. El control a tres cables posibilita que el Arrancador Suave sea comandado a través de dos entradas digitales. DI1 como entrada de acciona y DI2 como entrada de desacciona. Pudiendo así colocar directamente una botonera de dos teclas. Mirar ítem 3.3.2. Para modificar la programación de la entrada digital DI2, seguir las siguientes instrucciones:

1. Para entrar en el modo de programación, mantener presionada la tecla reset en la parte frontal del SSW-07 por 5 segundos. Mantener la tecla de reset presionada durante la programación;
2. Cuando estuviera en el modo programación, encenderá dos LEDs (sobrecorriente y falta de fase), señalizando que la DI2 esta programada para Reset de errores.
Encendiendo tres LEDs (sobrecorriente, falta de fase y secuencia de fase), señala que la DI2 esta programada para comandos a tres cables;
3. Para modificar la programación para comandos a tres cables, mover la "DIP Switch" de sobrecorriente y volver para la posición anterior. Encenderá los tres LEDs, señalizando que la DI2 esta programada para comandos a tres cables;

4. Para modificar la programación de la DI2 para Reset de errores, mover la "DIP Switch" de Kick Start y volver para la posición anterior. Encenderá los dos LEDs, señalizando que la DI2 esta programada para Reset de errores;
5. Al desaccionar la tecla de Reset, la programación estará concluida.

4.11 FUNCIONAMIENTO DE LAS SALIDAS A RELÉ

- El relé para la Función de Operación cierra el suyo contacto NA. (13-14/23), siempre que el SSW-07 recibir un comando de acciona, este contacto solamente es abierto en la final de la rampa de desaceleración (cuando esta se encuentra ajustada vía trimpot), o cuando el SSW-07 recibir el comando para desacciona;
- El relé para la función Tensión Plena cierra el suyo contacto NA. (14/23-24) siempre que el SSW-07 se encuentra con 100 % de la tensión aplicada al motor por elle accionado, este contacto es abierto cuando el SSW-07 recibir el comando para desaccionar;

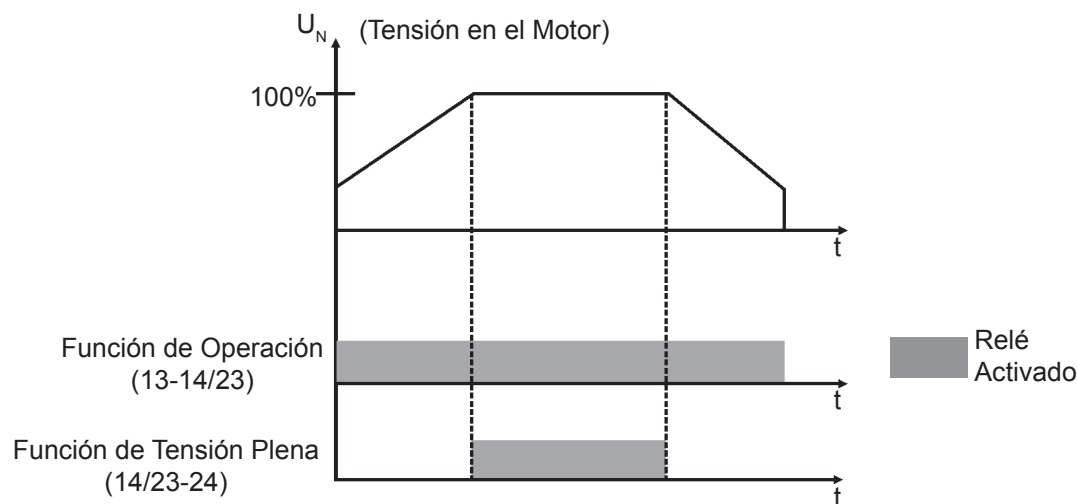


Figura 4.10 - Funcionamiento de las salidas a relé

4.12 PROGRAMACIÓN DE LA SALIDA A RELÉ RL1

En la programación padrón de fábrica, la salida a relé RL1 tiene su función programada para "Operación". El RL1 (13/14) puede ser programado también para funcionar "Sin Error". Esta función posibilita la instalación de un disyuntor con bobina de mínima tensión en la entrada del Arrancador Suave SSW-07. Mirar ítem 3.3.2.

Para modificar la programación de la salida a relé RL1, seguir las siguientes instrucciones:

1. Para entrar en el modo de programación, mantener presionada la tecla reset en la parte frontal del SSW-07 por 5 segundos. Manteniéndola presionada durante la programación;
2. Cuando en Arrancador Suave SSW-07 se encuentra en el modo de programación, encenderá dos LEDs (sobrecorriente y falta de fase), indicando que la DI2 está programada para reset de errores.
Encendido 3 LEDs (sobrecorriente, falta de fase y secuencia de

- fase), se indica que la DI2 está programada para comandos a tres cables. Si el LED Overload se enciende, la función del RL1 es "Sin Error", caso contrario la función es "Operación";
3. Para modificar la programación del relé RL1 es necesario mover el "DIP switch" de "overload" y volver para la posición anterior. El LED "overload" indica la nueva programación del RL1.
- LED Overload apagado: Función de Operación;
 - LED Overload encendido: Función Sin Error.

INFORMACIONES Y SUGERENCIAS DE PROGRAMACIÓN

Este capítulo auxilia al usuario a ajustar y a programar los tipos de control de arranque de acuerdo con la aplicación.

5.1 APLICACIONES Y PROGRAMACIÓN



¡ATENCIÓN!

Sugerencias y notas importantes para cada tipo de control de arranque.



¡ATENCIÓN!

Para saber la correcta programación de los parámetros tenga en manos los datos de su carga y utilice el “Software” de Dimensionado WEG para Arranadores Suaves disponible en la página de Internet (<http://www.weg.net>).

Caso no se consiga utilizar este software se pueden seguir algunos conceptos prácticos descritos en este capítulo.

A seguir son presentadas las curvas características con el comportamiento de la corriente y del torque (par) de arranque conforme algunos tipos de control.

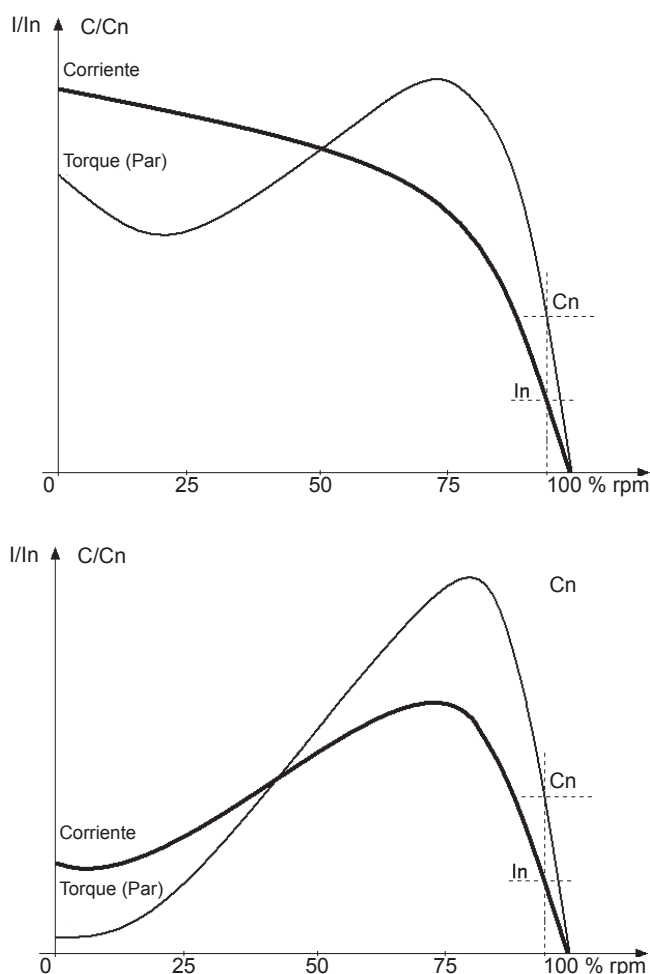


Figura 5.1 - Curvas características de torque (par) y de corriente en un arranque directo y por rampa de tensión

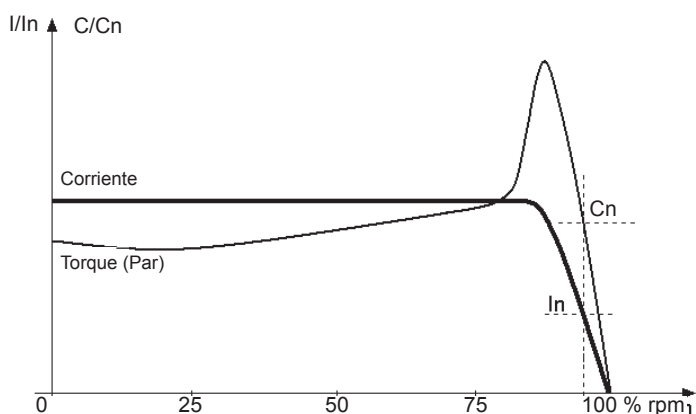


Figura 5.2 - Curvas características de torque (par) y de corriente en un arranque con limitación de corriente

5.1.1 Arranque con Rampa de Tensión

- 1) Ajustar el valor de la tensión inicial para un valor bajo;
- 2) Cuando fuera colocada carga en el motor, ajustar la tensión inicial para un valor que haga el motor girar suavemente a partir del instante que fuera accionado;
- 3) Ajustar el tiempo de aceleración con el tiempo necesario para el arranque, inicialmente con tiempos cortos, 10 a 15 segundos, después intente encontrar la mejor condición de arranque para la suya carga.

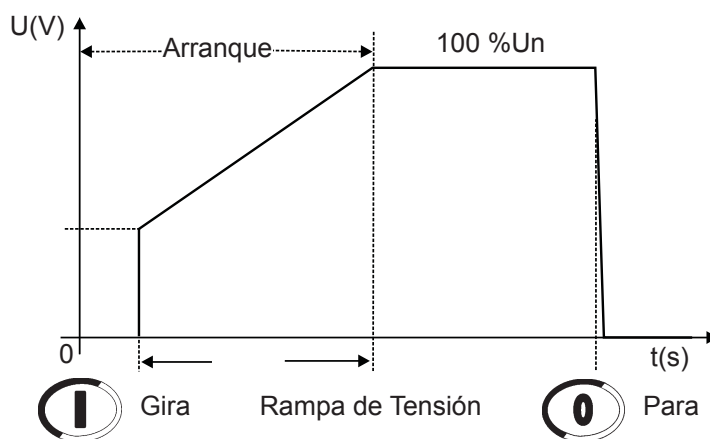


Figura 5.3 - Arranque con rampa de tensión



¡NOTAS!

- ☑ Con largos tiempos de arranque, o el motor sin carga, pueden ocurrir vibraciones durante el arranque del motor, por lo tanto disminuya el tiempo de arranque;
- ☑ Caso ocurran errores durante el arranque, revise todas las conexiones del Arrancador Suave a la red de alimentación, conexiones del motor, niveles de las tensiones de la red de alimentación, fusibles, disyuntores y seccionadoras.

5.1.2 Arranque con Limitación de Corriente

- 1) Para arrancar con limitación de corriente se debe arrancar con carga, testes a vacío pueden ser hechos con rampa de tensión;
- 2) Ajustar el tiempo de aceleración con el tiempo necesario para el arranque, inicialmente con tiempos cortos, 20 a 25 s. Ese tiempo será utilizado como tiempo de rotor bloqueado caso el motor no arranque;
- 3) Ajustar el Limite de Corriente de acuerdo con las condiciones que su instalación eléctrica permita y también a valores que suministren el torque (par) suficiente para arrancar el motor. Inicialmente puede ser programado con valores entre 2x a 3x de la corriente nominal del motor (I_n del motor).

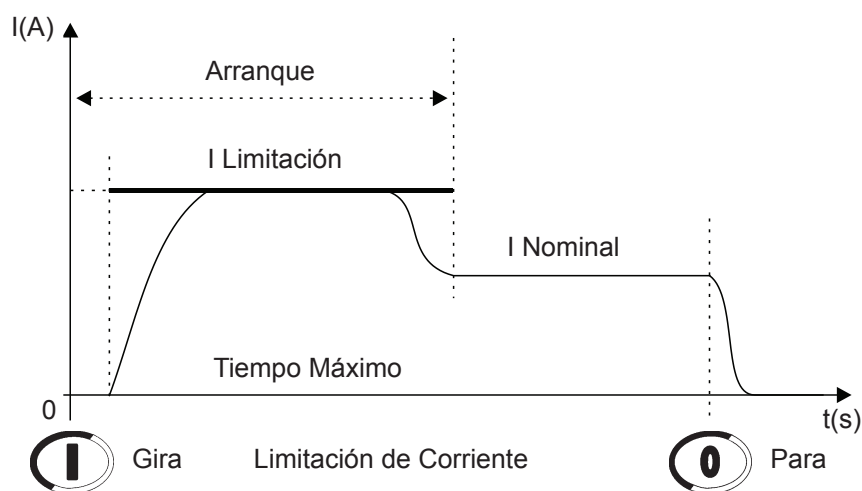


Figura 5.4 - Arranque con límite de corriente constante



¡NOTAS!

- Si el límite de corriente no fuera alcanzado durante el arranque, el motor irá arrancar inmediatamente;
- Valores muy bajos de Límite de Corriente no proporcionan torque (par) suficiente para arrancar el motor. Mantenga el motor siempre girando a partir del instante que fuera accionado;
- Para cargas que necesiten de un torque (par) inicial de arranque más elevado, se puede utilizar la función “Kick Start”;
- Caso ocurran errores durante el arranque, revise todas las conexiones del Arrancador Suave SSW-07 a la red de alimentación, conexiones del motor, niveles de las tensiones de la red de alimentación, fusibles, disyuntores y seccionadoras.

5.2 PROTECCIONES Y PROGRAMACIÓN

5.2.1 Sugerencia de como Programar la Clase Térmica

- 1) Parta inicialmente en la clase térmica padrón, algunas veces, más sin que el motor se caliente excesivamente;
- 2) Determine el correcto tiempo del arranque. Encuentre una media de la corriente utilizando un polímetro con una sonda de corriente para medirla. Para cualquier tipo de control de arranque se puede encontrar una media de la corriente;

Por ejemplo:

Arrancando con rampa de tensión un motor de 80 A. La corriente inicia en 100 A y va hasta 300 A, retornando después a la nominal en 20 s.

$$(100 \text{ A} + 300 \text{ A})/2 = 200 \text{ A}$$

$$200 \text{ A} / 80 \text{ A} = 2,5 \times I_n \text{ del motor}$$

entonces: 2,5 x In @ 20 s.

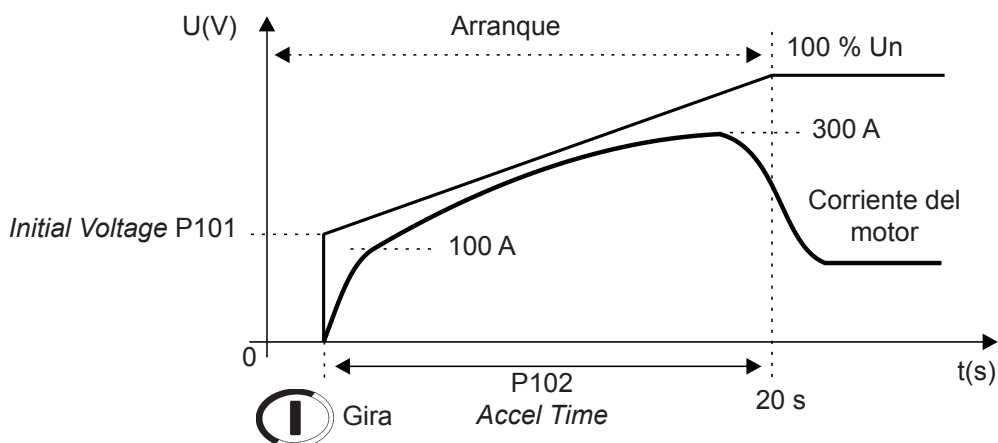


Figura 5.5 - Curva típica de corriente en un arranque por rampa de tensión

- 3) Utilice ese tiempo para encontrar la mínima clase necesaria para arrancar el motor a frío. En el ítem 4.8 - Protección de Sobrecarga es posible averiguar las curvas de las clases térmicas del motor a frío.

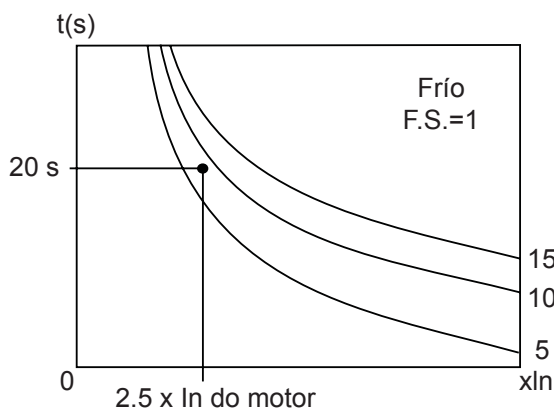


Figura 5.6 - Verificando la clase mínima en las curvas a frío

Por lo tanto, la clase térmica para arrancar el motor es la Clase 10, la Clase 5 tiene tiempo inferior para esta corriente. Esta clase permite el arranque del motor a frío.

- 4) Para identificar la clase térmica necesario para arrancar el motor a caliente, es necesario saber el tiempo de rotor bloqueado que el motor soporta.



¡NOTA!

Para programar correctamente la clase térmica que irá proteger el suyo motor es necesario saber el tiempo de rotor bloqueado que el motor permite. Este dato esta disponible en el catalogo del fabricante del motor.

Con el tiempo de rotor bloqueado encontraremos la máxima clase térmica que irá proteger el motor para el arranque a caliente. En el ítem 4.8 - Protección de Sobrecarga es posible verificar las curvas de las clases térmicas del motor a caliente.

Por ejemplo:

6,6 x I_n @ 6 s.

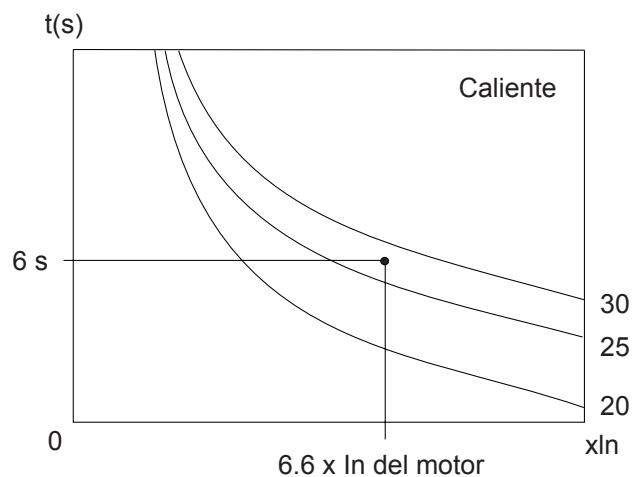


Figura 5.7 - Verificando la clase máxima en las curvas a caliente

La clase 25 es la clase térmica más elevada que protege al motor y permite el arranque del mismo en caliente o en cualquier otra condición.



¡NOTA!

Reacuérdesse que esta protección toma como padrón el Motor Trifásico IP55 Standard WEG, por lo tanto si el motor fuera distinto no programe la clase térmica en la máxima y si próximo de la mínima clase térmica necesaria para el arranque.

Ejemplo de programación de la clase térmica:

Datos del motor:

Potencia: 50 cv

Tensión: 380 Vca

Corriente Nominal (In): 71 A

Factor de Servicio (F.S.): 1,00

I_p / I_n : 6,6

Tiempo de rotor bloqueado: 12 segundos a caliente

Velocidad: 1770 rpm

Datos de arranque del motor + carga:

Arranque por rampa de tensión, media de la corriente de arranque: 3 x la corriente nominal del motor durante 25 s (3x In @ 25 s).

1) En el gráfico, a frío en la figura 4.8, verificamos la mínima Clase Térmica que irá posibilitar el arranque con tensión reducida:

Para 3 x In del motor @ 25 s, tomamos la más próxima arriba: Clase 10;

2) En el gráfico, a caliente en la figura 4.9, verificamos la máxima Clase Térmica que soporta el motor debido al tiempo de rotor bloqueado a caliente.

Para 6,6 x In del motor @ 12 s, tomamos la más próxima abajo: Clase 30.

En este caso la clase Térmica 10 posibilita el arranque y la Clase Térmica 30 es el límite máximo. Por lo tanto debemos adoptar una Clase Térmica entre esas dos, de acuerdo con la cantidad de arranques por hora y de acuerdo con el intervalo de tiempo entre paradas y re arranques del motor.

Cuanto más próximo de la Clase 10, más protegido estará el motor, menos arranques por hora y mayor debe ser el intervalo de tiempo entre paradas y re arranques del motor.

Cuanto más próximo de la Clase 30, más cerca se está del límite máximo del motor. Por lo tanto, pueden ocurrir más arranques por hora y menores intervalos de tiempo entre paradas y re arranques del motor.

5.2.2 Reducción del Tiempo de Arranque a Frío para Caliente

Para determinar los tiempos de actuación de las clases térmicas a caliente, cuando el motor estuviera trabajando en régimen pleno con corriente inferior a 100 % de la In del motor, utilice el factor multiplicador de la tabla 4.4, conforme el porcentual de corriente que el motor está operando.

Por ejemplo:

Un motor esta siendo operado con 80 % In y es desligado.

Inmediatamente es arrancado nuevamente.

El régimen de arranque es 3x In del motor @ 25 s.

La clase térmica seleccionada es la Clase 10 con 33,7 s @ 3x In del motor.

El factor de ajuste en la tabla para 80 % In del motor es de 0,48.

El tiempo final de actuación será: $0,48 \times 33,7 \text{ s} = 16,2 \text{ s}$, o sea, el tiempo fue reducido de 33,7 s en un arranque a frío para 16,2 s con arranque a caliente, por lo tanto no posibilitará un nuevo arranque antes de la imagen térmica del motor disminuir, o sea, enfriarse.

5.2.3 Factor de Servicio

Cuando el Factor de Servicio (F.S.) fuera distinto de 1,00 y tendrá la necesidad de utilizarlo, existe en lo propio gráfico, a frío, los puntos para F.S. = 1,15 y una tabla para F.S. = 1,15.

Si desear saber los tiempos de actuación de la protección térmica para otro valor de F.S. basta desplazar la línea de xI_n del motor para la izquierda.

$$\frac{1}{F.S.} \times N \times I_n = \text{Nueva_Línea} \times I_n$$

N = Número de veces de la corriente nominal del motor.

Ejemplos:

Considerando la línea $3 \times I_n$ de F.S.=1,00 para F.S.=1,25.

$$\frac{1}{1,25} \times 3 \times I_n = 2,40 \times I_n$$

La nueva línea de $3 \times I_n$ con F.S.=1,25 debe estar situada en $2,40 \times I_n$.

Considerando la línea de $3 \times I_n$ de F.S.=1,00 para F.S.=1,15.

$$\frac{1}{1,15} \times 3 \times I_n = 2,61 \times I_n$$

La nueva línea de $3 \times I_n$ con F.S.=1,15 debe estar situada en $2,61 \times I_n$.

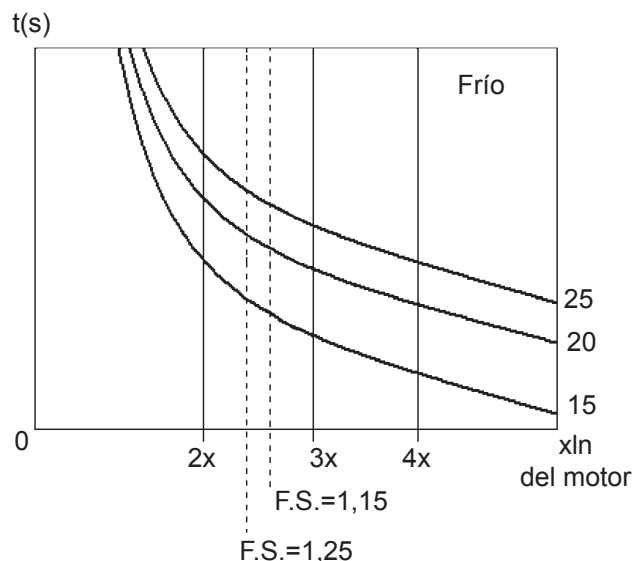


Figura 5.8 - Utilizando el F.S. para encontrar el nuevo tiempo

Caso no se encuentra disponible la HMI o comunicación serial para la programación del parámetro de factor de servicio, es necesario utilizar la corriente nominal del motor como siendo I_n del motor x F.S. En este caso, el "Trimpot Motor Current" debe ser programado considerando el factor de servicio.

$$\text{Motor_Current} = \frac{I_n \text{ del Motor} \times \text{F.S.}}{I_n \text{ de la SSW}} \times 100$$

Ejemplo:

Motor de 80 A con F.S. = 1,25

SSW-07 de 130 A

$$\frac{80 \times 1,25}{130} \times 100 = 77 \%$$

El "trimpot Motor Current" debe entonces ser ajustado en 77 %.



¡NOTA!

El ejemplo y la ecuación arriba deben ser usados solamente cuando el factor de servicio fuera usado, y no es posible programar el parámetro de factor de servicio vía HMI o comunicación serial.

SOLUCIÓN Y PREVENCIÓN DE FALLOS

6.1 ERRORES Y POSIBLES CAUSAS

Cuando fuese detectado un error, la Soft-Starter es bloqueada (deshabilitada) y el error será indicado en los LEDs a través de señales de luz intermitentes. Para que la Soft-Starter vuelva a operar normalmente después del error, es necesario resetearla. Este procedimiento puede ser realizado a través de las siguientes formas:

- Interrumpiendo la alimentación de la electrónica y conectándola nuevamente (power-on RESET);
- A través del botón de RESET en el frontal de SSW-07 (botón de RESET);
- Automáticamente a través del RESET automático. Habilitar esta función vía DIP Switch (auto);
- Vía entrada digital DI2 o DI3.

Descripción de la protección y señalización del error	Descripción de la actuación	Causas más probables	Reset
<p>Falta de Fase o Subcorriente</p> <p>E03</p> <p>(LED Phase Loss) Parpadeando</p>	<p>En el inicio del arranque: Actúa cuando no se tiene tensión en los terminales de alimentaciones de la potencia (R/1L1, S/3L2 y T/5L3) o cuando el motor estuviera desconectado.</p> <p>En régimen (100 % de tensión): Actúa cuando el valor de corriente se encuentra abajo del valor programado durante el tiempo también programado. Presentando la corriente nominal del motor. Con la programación de los parámetros con valores padrón de fábrica, esta protección actúa después de transcurrido 1 s de la falta de fase, tanto en la entrada cuanto en la salida (motor). Actúa cuando la corriente que circula por el SSW-07 es inferior a 20 % de la corriente ajustada en el Trimpot "Motor Current".</p>	<p>En aplicaciones como bombas hidráulicas ella puede estar girando a vacío.</p> <p>Falta de fase de la red trifásica.</p> <p>Cortocircuito o fallo en el tiristor o By-Pass.</p> <p>Motor no conectado.</p> <p>Tipo de conexión del motor errada.</p> <p>Problemas de mal contacto en las conexiones.</p> <p>Problemas con el accionamiento del contactor de entrada.</p> <p>Fusibles de entrada abiertos.</p> <p>Programación incorrecta del "Trimpot Motor Current".</p> <p>Motor con consumo de corriente abajo del valor límite para actuación de la protección de falta de fase.</p>	<p>Power-on.</p> <p>Botón Reset.</p> <p>Autoreset.</p> <p>DIx.</p>
<p>Sobre temperatura en la potencia</p> <p>E04</p> <p>(LED Fault) Parpadea 1 vez (LED Ready) Encendido</p>	<p>Cuando la temperatura en el disipador fuera superior al valor límite.</p> <p>Actúa también en el caso de sensor de temperatura no conectado.</p>	<p>Carga en el eje de motor muy alta.</p> <p>Elevado número de arranques sucesivos.</p> <p>Sensor interno de temperatura no conectado.</p> <p>Ciclos de arranques exige el kit de ventilación (modelos de 45 A hasta 200 A).</p>	<p>Power-on.</p> <p>Botón reset.</p> <p>Auto-reset.</p> <p>DIx.</p>

Tabla 6.1 - Errores y posibles causas

Descripción de la protección y señalización del error	Descripción de la actuación	Causas más probables	Reset
<p>Sobrecarga electrónica del motor</p> <p>E05</p> <p>(LED Overload) Parpadeando</p>	<p>Cuando exceder los tiempos informados por las curvas de las clases térmicas programadas.</p>	<p>Ajuste incorrecto del “Trimpot Motor Current” (ajuste de la corriente del motor). Valor ajustado muy bajo para el motor utilizado. Régimen de arranque arriba del permitido. Clase térmica programada abajo del régimen permitido por el motor. Tiempo entre parada y nuevo arranque abajo del permitido por los tiempos de enfriamiento para la potencia del motor. Carga en el eje muy alta. Valor de la protección térmica guardada al desligar el control y retomada al religar.</p>	<p>Power-on. Botón Reset. Autoreset. DIx.</p>
<p>Exceso de tiempo de limitación de corriente durante el arranque</p> <p>E62</p> <p>(LED Fault) Parpadea 2 veces (LED Ready) Acceso</p>	<p>Cuando el tiempo de arranque debido al arranque con limitación de corriente, fuera superior al tiempo ajustado en la rampa de aceleración.</p>	<p>Tiempo programado para rampa de aceleración inferior al necesario. Valor de la limitación de corriente programado muy bajo. Motor trabado, rotor bloqueado.</p>	<p>Power-on. Botón Reset. Autoreset. DIx.</p>
<p>Rotor bloqueado</p> <p>E63</p> <p>(LED Stall) Parpadeando</p>	<p>Actúa antes de la tensión plena, si la corriente fuera superior a dos veces la corriente nominal del motor.</p>	<p>Tiempo de la rampa de aceleración programado menor que el tiempo real de aceleración. Eje del motor trabado (bloqueado). El transformador que alimenta el motor puede estar saturado y llevando mucho tiempo para se recuperar de la corriente de arranque.</p>	<p>Power-on. Botón Reset. Autoreset. DIx.</p>
<p>Sobrecorriente</p> <p>E66</p> <p>(LED Overcurrent) Parpadeando</p>	<p>Monitoreo solamente cuando el SSW-07 está en régimen (100 % de tensión). Actúa cuando la corriente del motor ultrapasa el valor de 2 veces el valor ajustado en el trimpot (Motor Current) durante un tiempo superior a 1 s.</p>	<p>Exceso de carga momentánea en el motor. Eje del motor trabado, rotor bloqueado.</p>	<p>Power-on. Botón Reset. Autoreset. DIx.</p>
<p>Secuencia de fase incorrecta</p> <p>E67</p> <p>(LED Phase Seq) Parpadeando</p>	<p>Cuando la secuencia de interrupciones de las señales de sincronismo no sigue la secuencia RST.</p>	<p>Secuencia de fase de la red de entrada invertida. Puede tener sido modificada en otro punto de la red de alimentación.</p>	<p>Power-on. Botón Reset. DIx.</p>

Tabla 6.1 - Errores y posibles causas (cont.)

Descripción de la protección y señalización del error	Descripción de la actuación	Causas más probables	Reset
<p>Subtensión en la alimentación de la electrónica</p> <p>E70</p> <p>(LED Fault) Parpadea 2 veces (LED Ready) Apagado</p>	<p>Actúa cuando la tensión de la alimentación de la electrónica es inferior a 93 Vca.</p>	<p>Alimentación de la electrónica abajo del valor mínimo. Mal contacto en la alimentación de la electrónica. Fusibles de la alimentación de la electrónica abierto.</p>	<p>Power-on. Botón Reset. Autoreset. Dlx.</p>
<p>Contactador del relé de By-Pass interno abierto</p> <p>E71</p> <p>(LED Fault) Parpadea 3 veces (LED Ready) Apagado</p>	<p>Cuando ocurrir algún fallo con los contactos de los relés de By-Pass interno en régimen de tensión plena.</p>	<p>Mal contacto en los cables de accionamiento de los relés de By-Pass interno. Contactos de los relés de By-Pass defectuosos debido alguna sobrecarga.</p>	<p>Power-on. Botón Reset. Autoreset. Dlx.</p>
<p>Sobrecorriente antes del by-Pass</p> <p>E72</p> <p>(LED Fault) Parpadea 4 veces (LED Ready) Apagado</p>	<p>Actúa antes del cierre del By-Pass en el caso de la corriente fuera superior a: 37,5 A para modelos hasta 30 A; 200 A para los modelos de 45 A a 85 A; 260 A para los modelos de 130 A; 400 A para los modelos de 171 A y 200 A. 824 A para los modelos de 255 A hasta 412 A.</p>	<p>Tiempo de la rampa de aceleración programada menor que el tiempo real de aceleración. Corriente nominal del motor arriba de la corriente soportada por el Arrancador Suave. Eje del motor trabado, rotor bloqueado.</p>	<p>Power-on. Botón Reset. Autoreset. Dlx.</p>
<p>Frecuencia fuera de la tolerancia</p> <p>E75</p> <p>(LED Fault) Parpadea 1 vez (LED Ready) Apagado</p>	<p>Cuando la frecuencia se encuentra abajo o arriba de los límites de 45 hasta 66 Hz.</p>	<p>Frecuencia de la red esta fuera de los límites. Cuando el Arrancador Suave + Motor estuvieren siendo alimentados por un generador que no esta soportando el régimen de carga plena o de arranque del motor.</p>	<p>Power-on. Botón Reset. Autoreset. Dlx.</p>
<p>Contacto del By-Pass cerrado o SCRs en cortocircuito</p> <p>E77</p> <p>(LED Fault) parpadea 6 veces (LED Ready) Apagado</p>	<p>Cuando no ocurre la abertura del circuito del contacto de By-pass interno.</p>	<p>Mal contacto en los cables de accionamiento de los relés de By-pass interno o externo. Contactos con defectos debido alguna sobrecarga. Cortocircuito en paralelo, cortocircuito externo.</p>	<p>Power-on. Botón reset. Dlx.</p>

Tabla 6.1 - Errores y posibles causas (cont.)

OBSERVACIONES:

En el caso de actuación del error E04 (sobretensión en la potencia), es necesario esperar el Arrancador Suave enfriarse un poco antes de resetearlo.

En el caso del error E05 (sobrecarga en el motor), es necesario esperar el mismo enfriarse un poco antes de resetearlo.

6.2 SOLUCIÓN DE LOS PROBLEMAS MÁS FRECUENTES

Problema	Punto a ser verificado	Acción correctiva
Motor no gira	Cableado errado	Verificar todas las conexiones de potencia y de comando. Por ejemplo: Las entradas digitales DIx programadas como habilitación o error externo deben estar conectadas, a alimentación CA.
	Programación incorrecta	Verificar si los parámetros están con los valores correctos para la aplicación.
	Error	Verificar si el Arrancador Suave, no está bloqueado a una condición de error detectado (mirar tabla 6.1).
Motor no alcanza la velocidad nominal	Motor tumbado	Aumentar el nivel de alimentación de corriente si con el control para limitación de corriente.
Rotación del motor oscila (fluctúa)	Conexiones flojas	Deshabilite el Arrancador Suave, desconecte la alimentación y apriete todas las conexiones. Chequear todas las conexiones internas del Arrancador Suave para certificarse de que están bien conectadas.
Rotación del motor muy alta o muy baja	Datos de la placa del motor	Verificar si el motor utilizado está de acuerdo con la aplicación.
LEDs apagados	Verificar la tensión de la alimentación de la tarjeta de control (A1 y A2)	Valores nominales deben estar dentro del siguiente: Umín. = 93,5 Vca Umáx. = 264 Vca
Golpes en la aceleración	Ajuste del Arrancador Suave	Reducir el tiempo de la rampa de aceleración.

Tabla 6.2 - Solución de los problemas más frecuentes



¡NOTA!

Para consultas o solicitudes de servicios, es importante tener en las manos los siguientes datos:

- Modelo del Arrancador Suave;
- Número de serie, fecha de fabricación y revisión de hardware constantes en la etiqueta de identificación del producto (mirar ítem 2.3);
- Versión de software instalada (mirar ítem 2.3);
- Datos de la aplicación y de la programación efectuada.

Para mayores informaciones, entrenamiento o servicios, por gentileza contactar a Assistência Técnica WEG.

6.3 MANTENIMIENTO PREVENTIVO



¡PELIGRO!

Siempre desconecte la alimentación general antes de cambiar cualquier componente eléctrico asociado al Arrancador Suave SSW-07.

**No Ejecutar Ninguno Ensayo de Tensión Aplicada al Arrancador Suave SSW-07!
Caso sea necesario, consulte el fabricante.**

No Utilice Megometro para chequear los Tiristores.

Para evitar problemas de mal funcionamiento ocasionados por condiciones ambientales desfavorables tales como alta temperatura, humedad, suciedad, vibración o debido al envejecimiento de los componentes se hacen necesarias inspecciones periódicas en los Arrancadores Suaves SSW-07 e instalaciones.

Componente	Anormalidad	Acción Correctiva
Terminales, conectores	Tornillos Flojos	Aprieto (1)
	Conectores Flojos	
Ventiladores / Sistemas de ventilación	Ventiladores Sucios	Limpeza (1)
	Ruido acústico anormal	Sustituir ventiladores
	Ventilador siempre parado	
	Vibración anormal	
	Volvo en los filtros de aire	
Modulo de Potencia / Conexiones de Potencia	Acumulo de polvo, aceite, humedad, etc.	Limpeza o Sustitución (2)
	Tornillos de conexiones flojos	Limpeza (1)
		Aprieto (1)

(1) A cada seis meses.
(2) Dos veces por mes.

Tabla 6.3 - Inspecciones periódicas después la colocación en funcionamiento

DISPOSITIVOS OPCIONALES

Este capítulo describe los dispositivos opcionales que pueden ser utilizados con el Arrancador Suave SSW-07.

Descripción del Opcional	Item WEG
HMI local tipo Plug-In en el SSW-07	10935572
Kit HMI remota	10935649
Cable de 1 m para conexión SSW-07 - HMI remota	10050268
Cable de 2 m para conexión SSW-07 - HMI remota	10190951
Cable de 3 m para conexión SSW-07 - HMI remota	10211478
Cable de 5 m para conexión SSW-07 - HMI remota	10211479
Cable de 7,5 m para conexión SSW-07 - HMI remota	10050302
Cable de 10 m para conexión SSW-07 - HMI remota	10191029
Kit Plug-In para comunicación DeviceNet	10935681
Kit Plug-In para comunicación RS232	10935578
Cable de 3 m para conexión SSW-07 - Serial del PC	10050328
Cable de 10 m para conexión SSW-07 - Serial del PC	10191117
Kit Plug-In para comunicación RS485	10935573
Kit ventilación de la mecánica 2 (Corrientes de 45 a 85A)	10935650
Kit ventilación de la mecánica 3 (Corrientes de 130 a 200A)	10935559
Kit IP20 para a mecánica 3 (Corrientes de 130 a 200A)	10935651
Kit IP20 para la mecánica 4 (corrientes de 255 A hasta 412 A)	11059230
Kit Plug-In para PTC del motor	10935663
Kit SuperDrive G2	10945062

Tabla 7.1 - Dispositivos opcionales

La función del KIT IP20 es proteger el usuario de los contactos con las partes energizadas del Arrancador Suave.

Español

7.1 KIT IP20

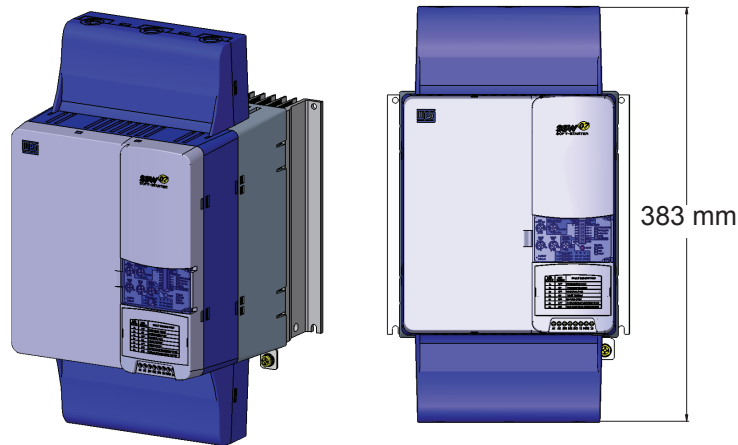


Figura 7.1 - Kit IP20 mecánica 3

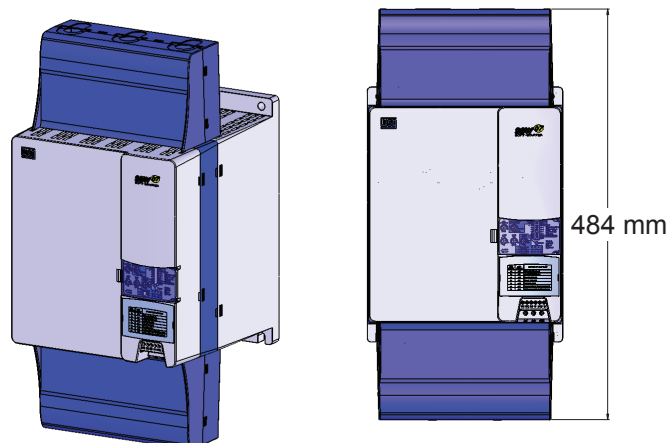


Figura 7.2 - Kit IP20 mecánica 4

CARACTERÍSTICAS TÉCNICAS

Este capítulo describe las características técnicas eléctricas y mecánicas de la línea de Arrancadores Suaves SSW-07.

8.1 POTENCIAS Y CORRIENTES NOMINALES CONFORME UL508

Modelo SSW-07	Tensión del Motor 220/230V		Tensión del Motor 380/400V		Tensión del Motor 440/460V		Tensión del Motor 575V	
	(cv)	(kW)	(cv)	(kW)	(cv)	(kW)	(cv)	(kW)
17 A	5	3.7	7.5	5.5	10	7.5	15	11
24 A	7.5	5.5	10	7.5	15	11	20	15
30 A	10	7.5	15	11	20	15	25	18.5
45 A	15	11	25	18.5	30	22	40	30
61 A	20	15	30	22	40	30	50	37
85 A	30	22	50	37	60	45	75	55
130 A	50	37	75	55	100	75	125	90
171 A	60	45	100	75	125	90	150	110
200 A	75	55	100	75	150	110	200	150
255 A	100	75	150	110	200	150	250	185
312 A	125	90	175	130	250	185	300	225
365 A	150	110	200	150	300	225	350	260
412 A	150	110	250	185	350	260	450	330

Tabla 8.1 - Potencias y corrientes conforme UL508

8.2 POTENCIAS Y CORRIENTES NOMINALES CONFORME MOTORES WEG, ESTÁNDAR, IP55, IV POLOS

Modelo SSW-07	Tensión del Motor 220/230V		Tensión del Motor 380/400V		Tensión del Motor 440/460V		Tensión del Motor 525V		Tensión del Motor 575V	
	(cv)	(kW)	(cv)	(kW)	(cv)	(kW)	(cv)	(kW)	(cv)	(kW)
17 A	6	4.5	10	7.5	12.5	9.2	15	11	15	11
24 A	7.5	5.5	15	11	15	11	20	15	20	15
30 A	10	7.5	20	15	20	15	25	18.5	30	22
45 A	15	11	30	22	30	22	40	30	40	30
61 A	20	15	40	30	50	37	50	37	60	45
85 A	30	22	60	40	60	45	75	55	75	55
130 A	50	37	75	55	100	75	125	90	125	90
171 A	60	45	125	90	125	90	150	110	175	132
200 A	75	55	125	90	150	110	200	150	200	150
255 A	100	75	175	132	200	150	250	185	250	185
312 A	125	90	200	150	250	185	300	220	300	225
365 A	150	110	250	185	300	225	350	260	400	300
412 A	150	110	300	220	350	260	440	315	450	330

Tabla 8.2 - Potencias y corrientes para motores WEG



¡NOTA!

Las potencias máximas indicadas en la tabla 8.1, son basadas en 3x Corriente Nominal del Arrancador Suave SSW-07 durante 30 s y 10 arranques por hora (3 x In @ 30 s).

CAPÍTULO 8 - CARACTERÍSTICAS TÉCNICAS

8.3 DATOS DE LA POTENCIA

Alimentación	Tensión de la Potencia (R/1L1, S/3L2, T/5L3)	(220 a 575) Vca (-15 % a +10 %), o (187 a 632) Vca
	Frecuencia	(50 a 60) Hz (± 10 %), o (45 a 66) Hz
Capacidad	Número máximo de arranques por hora (sin ventilación)	10 (1 a cada 6 minutos; modelos de 17 A a 30 A); 3 (1 a cada 20 minutos; modelos de 45 A a 200 A). 10 (1 a cada 6 minutos); modelos de 255 A a 412 A.
	Número máximo de arranques por hora con kit opcional de ventilación	10 (1 a cada 6 minutos; modelos de 45 A a 200 A)
	Ciclo de arranque	3 x In del SSW-07 durante 30 segundos
Tiristores (SCRs)		Tensión reversa de pico máxima 1600 V
Categoría de Sobretensión		III (UL508/EN61010)

8.4 DATOS DE LA ELECTRONICA Y PROGRAMACIÓN

Alimentación	Tensión de Control (A1, A2)	<input checked="" type="checkbox"/> (110 a 240) Vca (-15 % a +10 %), modelos de 17 A a 200 A. <input checked="" type="checkbox"/> (110 a 130) Vca o (208 a 240) Vca (-15 % a +10 %) (modelos 255 A a 412 A).
	Frecuencia	<input checked="" type="checkbox"/> (50 a 60) Hz (± 10 %), o (45 a 66) Hz
	Consumo	<input checked="" type="checkbox"/> 15 VA (modelo de 17 A a 200 A) <input checked="" type="checkbox"/> 60 VA continuo 800 VA adicional durante el cerramiento del By-Pass (modelos de 255 A a 412 A).
Control	Método	<input checked="" type="checkbox"/> Rampa de tensión; <input checked="" type="checkbox"/> Limitación de corriente.
Entradas	Digitales	<input checked="" type="checkbox"/> 3 entradas digitales aisladas; <input checked="" type="checkbox"/> Nivel alto mínimo: 93 Vca; <input checked="" type="checkbox"/> Nivel bajo máximo: 10 Vca; <input checked="" type="checkbox"/> Tensión máxima: 264 Vca; <input checked="" type="checkbox"/> Corriente de entrada: 1,1 mA @ 220 Vca; <input checked="" type="checkbox"/> Funciones programables.
Salidas	Relé	<input checked="" type="checkbox"/> 2 relés con contactos NA, 240 Vca, 1 A, funciones programables;
Seguridad	Protecciones	<input checked="" type="checkbox"/> Sobrecorriente; <input checked="" type="checkbox"/> Falta de Fase; <input checked="" type="checkbox"/> Secuencia de fase invertida; <input checked="" type="checkbox"/> Sobretemperatura en el disipador de la potencia; <input checked="" type="checkbox"/> Sobrecarga en el Motor; <input checked="" type="checkbox"/> Defecto externo; <input checked="" type="checkbox"/> Contactor de By-Pass abierto; <input checked="" type="checkbox"/> Contactor de By-Pass cerrado; <input checked="" type="checkbox"/> Sobrecorriente antes del By-Pass; <input checked="" type="checkbox"/> Rotor bloqueado; <input checked="" type="checkbox"/> Frecuencia fuera de la tolerancia; <input checked="" type="checkbox"/> Subtensión en la alimentación de la electrónica.

CAPÍTULO 1

Instruções de Segurança

1.1 Avisos de Segurança no Manual.....	105
1.2 Avisos de Segurança no Produto	105
1.3 Recomendações Preliminares.....	105

CAPÍTULO 2

Informações Gerais

2.1 Sobre o Manual	107
2.2 Sobre a Soft-Starter SSW-07	107
2.3 Etiqueta de Identificação da Soft-Starter SSW-07	108
2.4 Recebimento e Armazenamento	111

CAPÍTULO 3

Instalação e Conexão

3.1 Instalação Mecânica.....	112
3.1.1 Condições Ambientais	112
3.1.2 Dimensões da Soft-Starter SSW-07	112
3.1.3 Posicionamento/Fixação.....	113
3.1.3.1 Montagem em Painel	114
3.1.3.2 Montagem em Superfície	115
3.2 Instalação Elétrica	115
3.2.1 Bornes de Potência.....	116
3.2.2 Localização das Conexões de Potência, Aterramento e Controle	117
3.2.3 Cabos da Potência e Aterramento Propostos	118
3.2.4 Conexão da Rede de Alimentação à Soft-Starter SSW-07	118
3.2.4.1 Capacidade da Rede de Alimentação.....	119
3.2.4.2 Fusíveis Recomendados.....	119
3.2.4.3 Contatores Recomendados	120
3.2.5 Conexão da Soft-Starter SSW-07 ao Motor	120
3.2.5.1 Ligação Padrão da Soft-Starter SSW-07 ao Motor com Três Cabos	121
3.2.6 Conexões de Aterramento	121
3.2.7 Conexões de Sinal e Controle	122
3.3 Acionamentos Sugestivos	122
3.3.1 Acionamento Sugestivo com Comandos por Entradas Digitais a Dois Fios e Contator de Isolação da Potência	124
3.3.2 Acionamento Sugestivo com Comandos por Entradas Digitais a Três Fios e Disjuntor de Isolação da Potência	124
3.3.3 Simbologia	125

CAPÍTULO 4**Como Ajustar a SSW-07**

4.1 Ajuste do Tipo de Controle	126
4.2 Kick Start.....	127
4.3 Ajuste da Tensão Inicial	127
4.4 Ajuste do Limite de Corrente.....	128
4.5 Ajuste do Tempo da Rampa de Aceleração	129
4.6 Ajuste do Tempo da Rampa de Desaceleração	129
4.7 Ajuste de Corrente do Motor	130
4.8 Proteção de Sobrecarga Eletrônica do Motor	131
4.9 Reset	134
4.10 Programação da Entrada Digital DI2.....	134
4.11 Funcionamento das Saídas a Relé	135
4.12 Programação da Saída a Relé RL1	135

CAPÍTULO 5**Informações e Sugestões de Programação**

5.1 Aplicações e Programação.....	136
5.1.1 Partindo com Rampa de Tensão	137
5.1.2 Partindo com Limite de Corrente	138
5.2 Proteções e Programação.....	139
5.2.1 Sugestão de como Programar a Classe Térmica.....	139
5.2.2 Redução do Tempo de Partida a Frio para Quente ...	141
5.2.3 Fator de Serviço	142

CAPÍTULO 6**Solução e Prevenção de Falhas**

6.1 Erros e Possíveis Causas	144
6.2 Solução de Problemas mais Frequentes.....	147
6.3 Manutenção Preventiva.....	148

CAPÍTULO 7**Dispositivos Opcionais**

7.1 Kit IP20	149
--------------------	-----

CAPÍTULO 8**Características Técnicas**

8.1 Potências e Correntes Nominais Conforme UL508	150
8.2 Potências e Correntes Nominais Conforme Motores Weg, Standard, IP55, IV Pólos	150
8.3 Dados da Potência	151
8.4 Dados da Eletrônica e Programação.....	151

INSTRUÇÕES DE SEGURANÇA

Este manual contém informações necessárias para o uso correto da Soft-Starter SSW-07.

Ele foi escrito para ser utilizado por pessoas com treinamento ou qualificação técnica adequada para operar este tipo de equipamento.

1.1 AVISOS DE SEGURANÇA NO MANUAL

No decorrer do texto serão utilizados os seguintes avisos de segurança:



PERIGO!

Não considerar os procedimentos recomendados neste aviso podem levar à morte, ferimento grave e danos materiais consideráveis.



ATENÇÃO!

Não considerar os procedimentos recomendados neste aviso podem levar a danos materiais.



NOTA!

O texto objetiva fornecer informações importantes para a correta compreensão e bom funcionamento do produto.

1.2 AVISOS DE SEGURANÇA NO PRODUTO

Os seguintes símbolos estão afixados ao produto, servindo como aviso de segurança:



Tensões elevadas presentes.



**Componentes sensíveis a descarga eletrostáticas.
Não tocá-los.**



Conexão obrigatória ao terra de proteção (PE).

1.3 RECOMENDAÇÕES PRELIMINARES



PERIGO!

Somente pessoas com qualificação adequada e familiaridade com a Soft-Starter SSW-07 e equipamentos associados devem planejar ou implementar a instalação, partida, operação e manutenção deste equipamento.

Estas pessoas devem seguir todas as instruções de segurança contidas neste manual e/ou definidas por normas locais.

Não seguir as instruções de segurança pode resultar em risco de vida e/ou danos no equipamento.



NOTA!

Para os propósitos deste manual, pessoas qualificadas são aquelas treinadas de forma a estarem aptas para:

1. Instalar, aterrar, energizar e operar a Soft-Starter SSW-07 de acordo com este manual e os procedimentos legais de segurança vigentes;
2. Utilizar os equipamentos de proteção de acordo com as normas estabelecidas;
3. Prestar serviço de primeiros socorros.



PERIGO!

Sempre desconecte a alimentação geral antes de tocar qualquer componente elétrico associado a Soft-Starter SSW-07.

Altas tensões podem estar presentes mesmo após a desconexão da alimentação. Aguarde pelo menos 3 minutos para a descarga completa dos capacitores.

Sempre conecte o dissipador do equipamento ao terra de proteção (PE) no ponto adequado para isto.



ATENÇÃO!

Os cartões eletrônicos possuem componentes sensíveis a descargas eletrostáticas. Não toque diretamente sobre componentes ou conectores.

Caso necessário, toque antes no dissipador metálico aterrado ou utilize pulseira de aterramento adequada.

**Não execute nenhum ensaio de tensão aplicada a Soft-Starter SSW-07!
Caso seja necessário consulte o fabricante.**



NOTA!

As Soft-Starters SSW-07 podem interferir em outros equipamentos eletrônicos. Siga os cuidados recomendados no capítulo 3 (Instalação) para minimizar estes efeitos.



NOTA!

Leia completamente este manual antes de instalar ou operar esta Soft-Starter SSW-07.

INFORMAÇÕES GERAIS

2.1 SOBRE O MANUAL

Este manual apresenta a instalação da Soft-Starter, como colocá-la em funcionamento, as principais características técnicas e como identificar e corrigir problemas mais comuns.

Os manuais descritos a seguir devem ser consultados para obter mais informações, referentes as funções, acessórios e condições de funcionamento:

- ☑ Manual de Programação, com descrição detalhada dos parâmetros e suas funções;
- ☑ Manual de Comunicação RS-232 / RS-485.
- ☑ Manual de Comunicação DeviceNet.

Esses manuais são fornecidos em formato eletrônico no CD-ROM que acompanha a Soft-Starter, ou podem ser obtidos no site da WEG - www.weg.net.

2.2 SOBRE A SOFT-STARTER SSW-07

A Soft-Starter SSW-07 é um produto de alta performance o qual permite o controle da partida de motores de indução trifásicos. Desta forma evita-se choques mecânicos na carga e surtos de corrente na rede de alimentação.

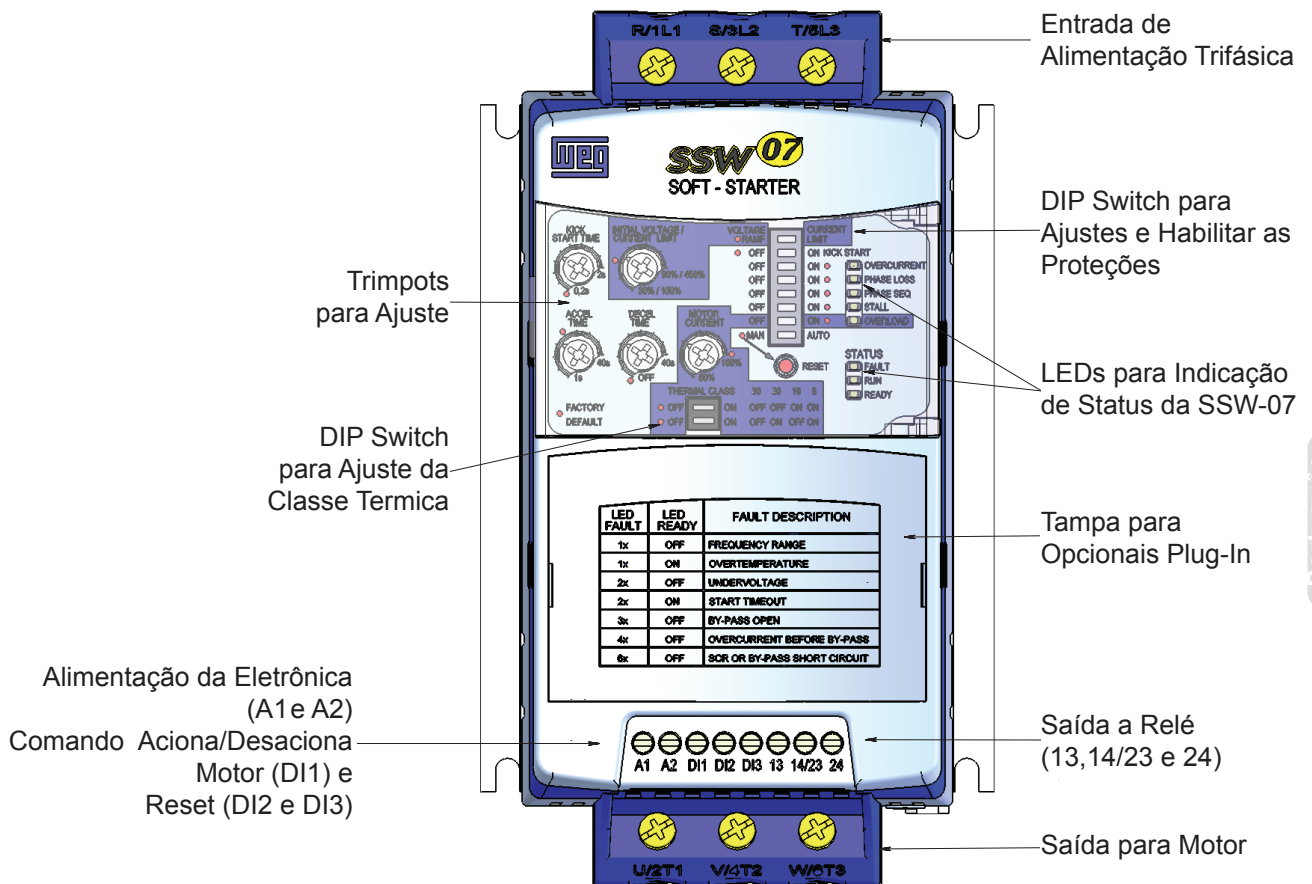


Figura 2.1 - Vista frontal da SSW-07

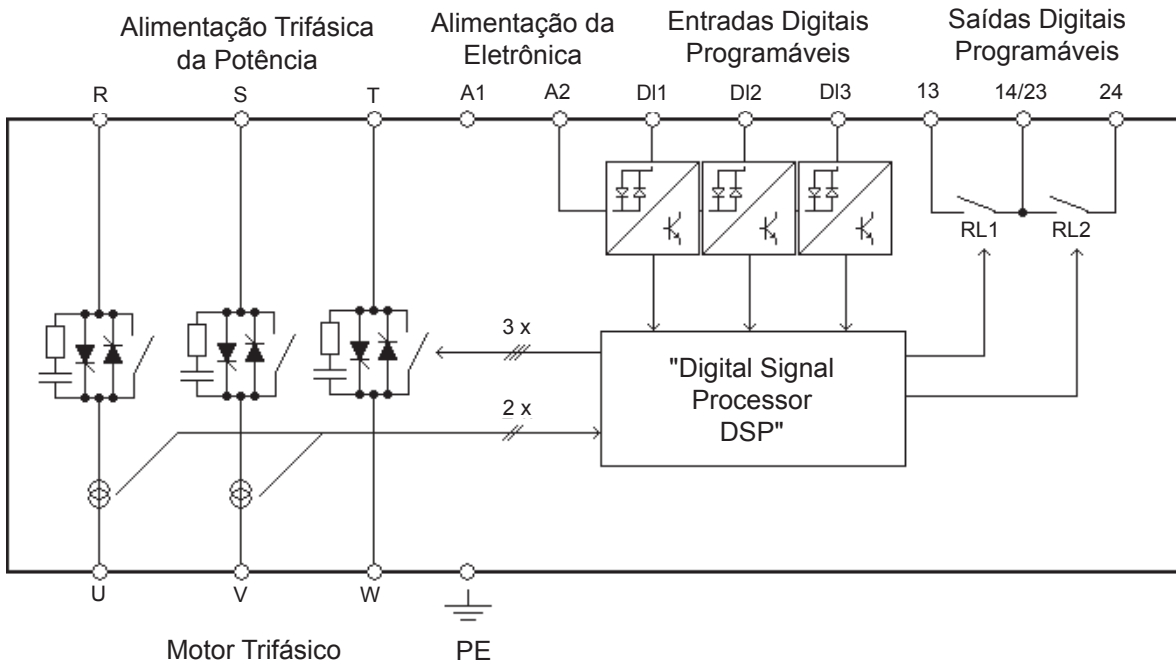


Figura 2.2 - Bloco diagrama da Soft-Starter SSW-07

2.3 ETIQUETA DE IDENTIFICAÇÃO DA SOFT-STARTER SSW-07

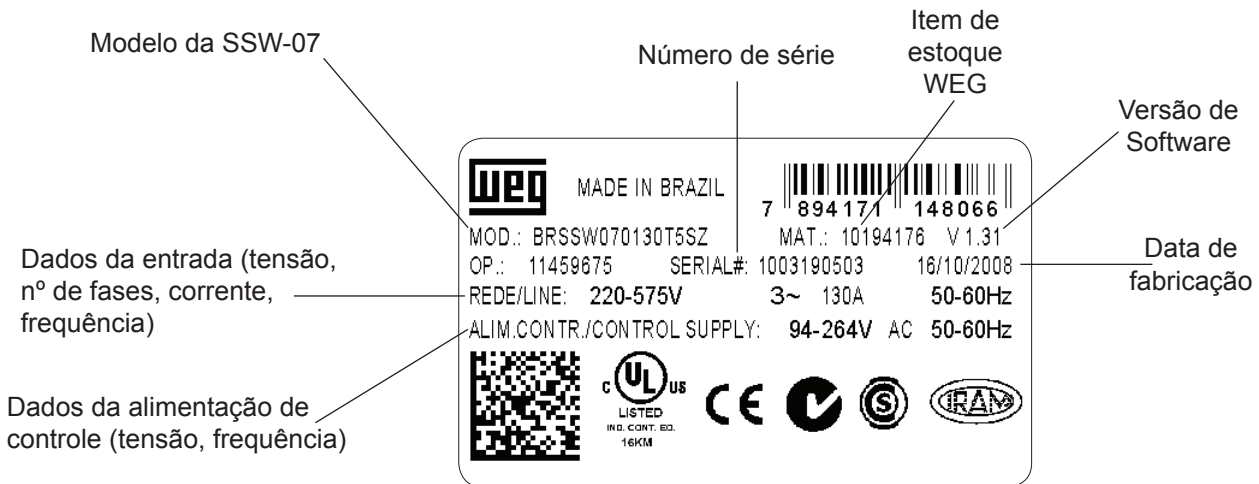


Figura 2.3 - Etiqueta de identificação na lateral da Soft-Starter SSW-07

Posição da etiqueta de identificação na Soft-Starter SSW-07:

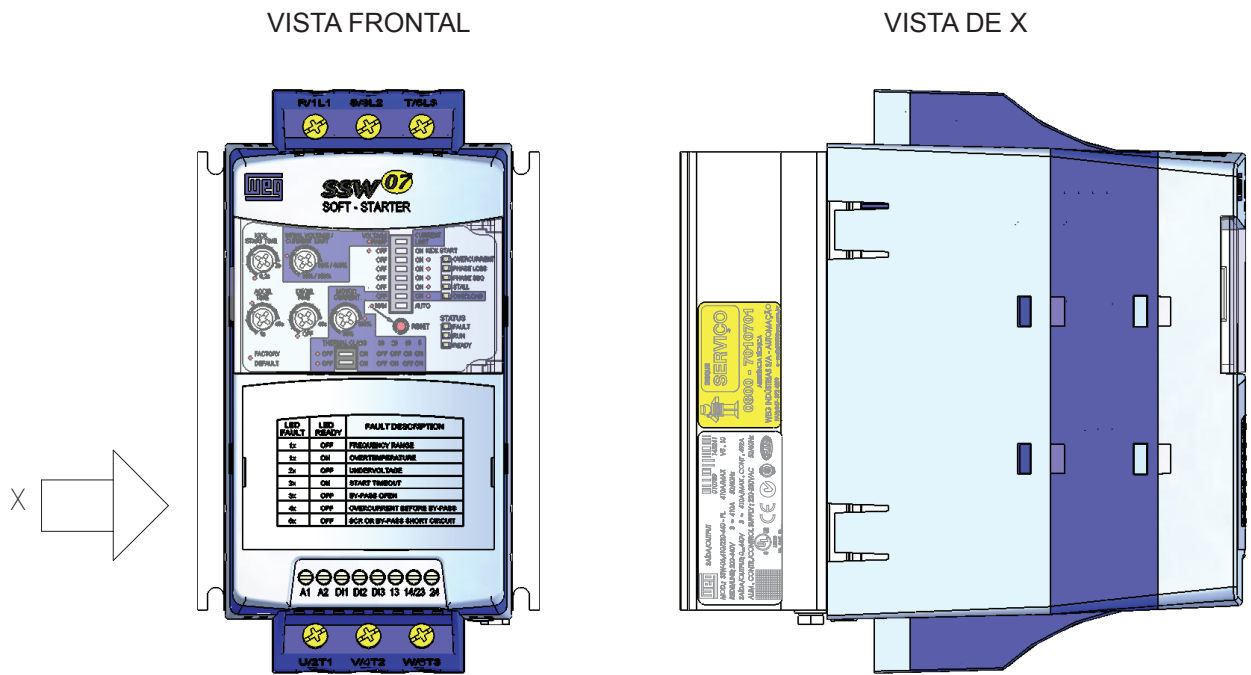


Figura 2.4 - Localização das etiquetas da Soft-Starter SSW-07

COMO ESPECIFICAR O MODELO DA SSW-07:

BR	SSW07	0017	T	5	S	--	--	Z
Mercado	Soft-Starter WEG Série SSW-07	Corrente nominal do SSW-07	Alimentação trifásica	220-575 Vca	Opcionais: S = Standard O = com opcionais	Grau de Proteção	Hardware especial	Software especial
BR = Brasil		0017 = 17 A				Em branco = Standard	Em branco = Standard	Em branco = Standard
EX = Exportação		0024 = 24 A				IP = IP20 ⁽¹⁾	H1 = Alimentação da eletrônica: 110 a 130 Vca ⁽²⁾	S1 = Software especial
		0030 = 30 A					H2 = Alimentação da eletrônica: 208 a 240 Vca ⁽²⁾	
		0045 = 45 A						
		0061 = 61 A						
		0085 = 85 A						
		0130 = 130 A						
		0171 = 171 A						
		0200 = 200 A						
		0255 = 255 A						
		0312 = 312 A						
		0365 = 365 A						
		0412 = 412 A						

(1) Somente para os modelos de 130 A a 412 A.

(2) Somente para os modelos de 255 A a 412 A.



NOTA!

Os campos opcionais (S ou O) definem se a Soft-Starter SSW-07 será na versão standard ou terá opcionais. Se for standard, aqui termina o código.

Colocar também sempre a letra Z no final.

Por exemplo:

EXSSW070017T5SZ = Soft-Starter SSW-07 standard de 17 A entrada trifásica 220 V a 575 V com manual em inglês, espanhol e português.

Se houver opcionais, os campos deverão ser preenchidos na sequência correta até o código ser finalizado com a letra Z.

O produto standard, para efeitos deste código, é concebido em:

- Grau de proteção: IP20 de 17 A a 85 A e IP00 de 130 A a 412 A.

2.4 RECEBIMENTO E ARMAZENAMENTO

A Soft-Starter SSW-07 é fornecida embalada em caixa de papelão. Na parte externa desta embalagem existe uma etiqueta que é a mesma afixada na Soft-Starter SSW-07.

Para abrir a embalagem:

- 1- Coloque a embalagem sobre uma mesa;
- 2- Abra a embalagem;
- 3- Retire a Soft-Starter.

Verifique se:

- A etiqueta de identificação da Soft-Starter SSW-07 corresponde ao modelo comprado;
- Ocorreram danos durante o transporte. Caso for detectado algum problema, contate imediatamente a transportadora;
- Se a Soft-Starter SSW-07 não for logo instalada, mantenha-a dentro da embalagem fechada e armazene em um lugar limpo e seco com temperatura entre -25 °C e 65 °C. 1 hora em -40 °C é permitido.

SSW-07 Modelo	Altura H mm (in)	Largura L mm (in)	Profundidade P mm (in)	Volume cm ³ (in)	Peso kg (lb)
17 A 24 A 30 A	221 (8.70)	180 (7.09)	145 (5.71)	5768 (352.2)	1.65 (3.64)
45 A 61 A 85 A	260 (10.24)	198 (7.80)	245 (9.65)	12613 (770.8)	3.82 (8.42)
130 A 171 A 200 A	356 (14.02)	273 (10.75)	295 (11.61)	28670 (1750)	8.36 (18.43)
255 A 312 A 365 A 412 A	415 (16.34)	265 (10.43)	320 (12.6)	35192 (2147)	12.8 (28.2)

Tabela 2.1 - Dimensões da embalagem em mm (in)

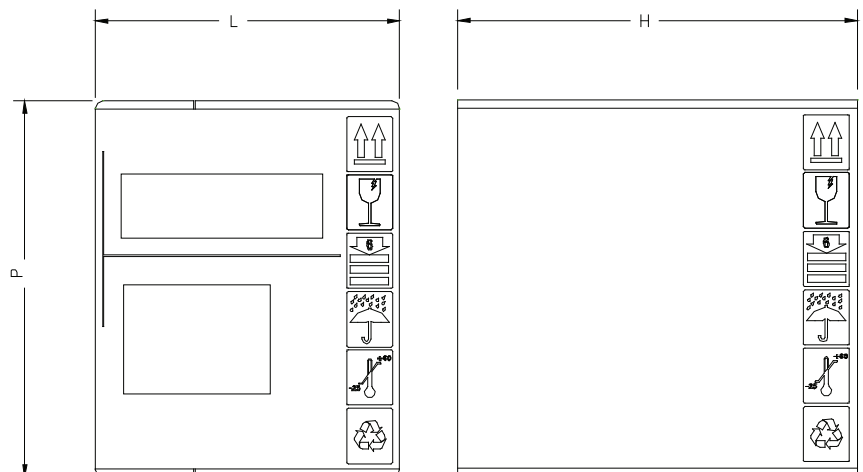


Figura 2.5 - Dimensões da embalagem

INSTALAÇÃO E CONEXÃO

Este capítulo descreve os procedimentos de instalação elétrica e mecânica da Soft-Starter SSW-07. As orientações e sugestões devem ser seguidas visando o correto funcionamento da Soft-Starter SSW-07.

3.1 INSTALAÇÃO MECÂNICA

3.1.1 Condições Ambientais

A localização das Soft-Starters SSW-07 é fator determinante para a obtenção de um funcionamento correto e uma vida normal de seus componentes.

Evitar:

- Exposição direta a raios solares, chuva, umidade excessiva ou maresia;
- Gases ou líquidos explosivos ou corrosivos;
- Vibração excessiva, poeira ou partículas metálicas e/ou óleos suspensos no ar.

Condições Ambientais permitidas:

- Temperatura: 0 °C a 55 °C - condições nominais.
- Umidade relativa do ar: 5 % a 90 % sem condensação.
- Altitude máxima: 1000 m acima do nível do mar - condições nominais.
De 1000 m a 4000 m acima do nível do mar - redução da corrente de 1 % para cada 100 m acima de 1000 m.
De 2000 m a 4000 m acima do nível do mar - redução da tensão de 1.1 % para cada 100 m acima de 2000 m.
- Grau de poluição: 2 (conforme UL508)
Normalmente, somente poluição não condutiva. A condensação não deve causar condução nas partículas contidas no ar.

3.1.2 Dimensões da Soft-Starter SSW-07

A figura 3.1, em conjunto com a tabela 3.1, traz as dimensões externas de furos para fixação da Soft-Starter SSW-07.

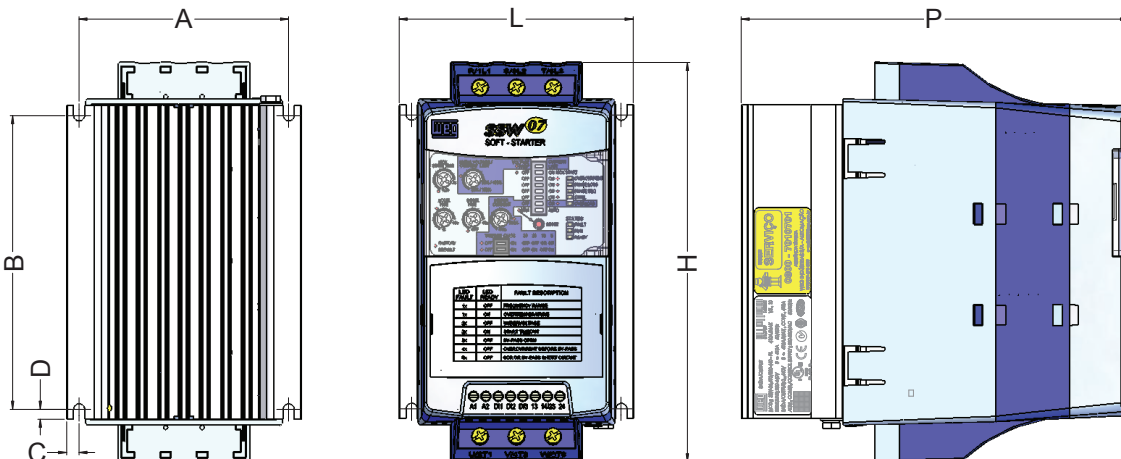


Figura 3.1 - Dimensional da SSW-07

Modelo SSW-07	Altura H mm (in)	Largura L mm (in)	Profundidade P mm (in)	A mm (in)	B mm (in)	C mm (in)	D mm (in)	Parafuso p/ fixação	Peso kg (lb)	Grau de Proteção
17 A 24 A 30 A	162 (6.38)	95 (3.74)	157 (6.18)	85 (3.35)	120 (4.72)	5 (0.20)	4 (0.16)	M4	1.3 (2.9)	IP20
45 A 61 A 85 A	208 (8.19)	144 (5.67)	203 (7.99)	132 (5.2)	148 (5.83)	6 (0.24)	3.4 (0.13)	M4	3.3 (7.28)	IP20
130 A 171 A 200 A	276 (10.9)	223 (8.78)	220 (8.66)	208 (8.19)	210 (8.27)	7.5 (0.3)	5 (0.2)	M5	7.6 (16.8)	IP00 *
255 A 312 A 365 A 412 A	331 (13.0)	227 (8.94)	242 (9.53)	200 (7.87)	280 (11.0)	15 (0.59)	9 (0.35)	M8	11.5 (25.4)	IP00 *

* IP20 com Kit opcional.

Tabela 3.1 - Dados para instalação com dimensões em mm (in)

3.1.3 Posicionamento/ Fixação Para a instalação da Soft-Starter SSW-07 deve-se deixar no mínimo os espaços livres ao redor da Soft-Starter conforme figura 3.2 a seguir. As dimensões de cada espaçamento estão disponíveis na tabela 3.2.

Modelo SSW-07	A mm (in)	B mm (in)	C mm (in)
17 A 24 A 30 A	50 (2)	50 (2)	30 (1.2)
45 A 61 A 85 A	80 (3.2)	80 (3.2)	30 (1.2)
130 A 171 A 200 A	100 (4)	100 (4)	30 (1.2)
255 A 312 A 365 A 412 A	150 (6)	150 (6)	30 (1.2)

Tabela 3.2 - Espaços livres recomendados

Instalar a Soft-Starter SSW-07 na posição vertical de acordo com as seguintes recomendações:

- 1) Instalar em superfície razoavelmente plana;
- 2) Não colocar componentes sensíveis ao calor logo acima da Soft-Starter SSW-07.



ATENÇÃO!

Se montar uma Soft-Starter SSW-07 em cima da outra, usar a distância mínima A + B e desviar da Soft-Starter superior o ar quente que vem da Soft-Starter de baixo.



ATENÇÃO!

Prever eletrodutos ou calhas independentes para a separação física dos condutores de sinal, controle e potência (consulte o item 3.2 Instalação Elétrica).

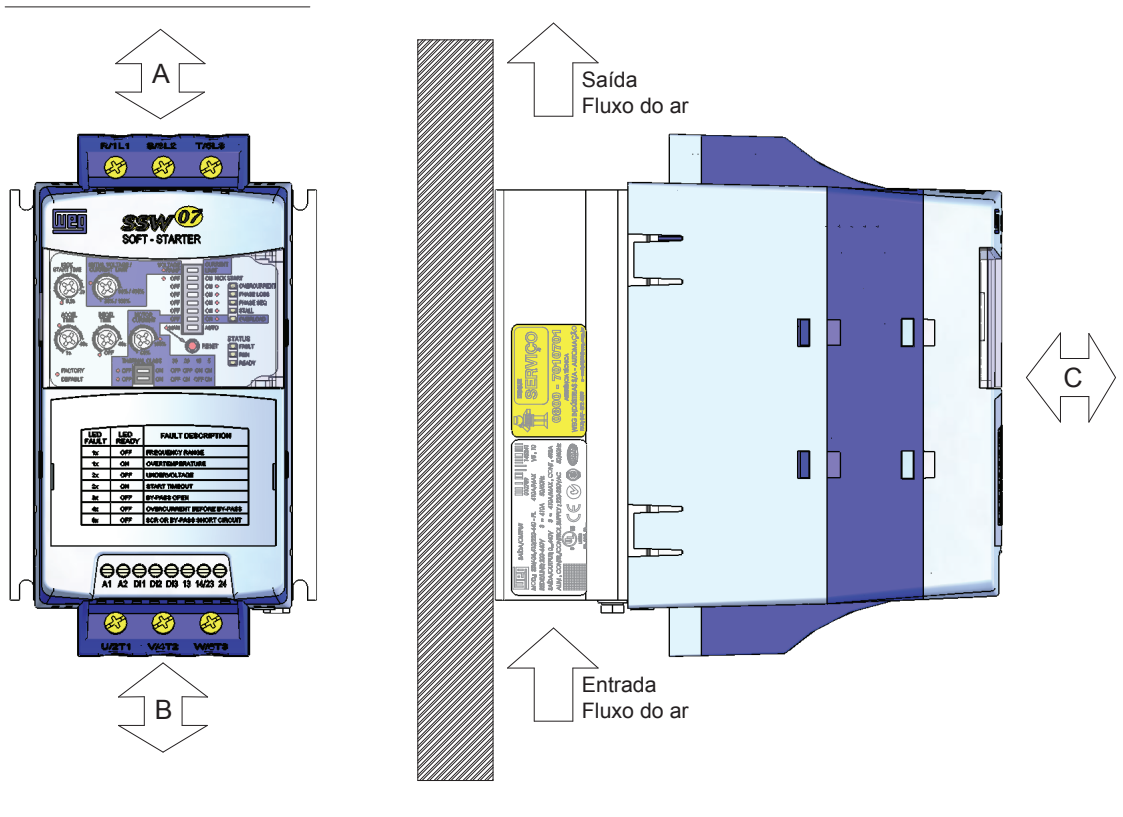


Figura 3.2 - Espaços livres para ventilação

3.1.3.1 Montagem em Painel

Para Soft-Starters SSW-07 instaladas dentro de painéis ou caixas metálicas fechadas, prever exaustão adequada para que a temperatura fique dentro da faixa permitida. Consulte as potências nominais dissipadas na tabela 3.3.

Modelo SSW-07	Potência dissipada na eletrônica (W)	Potência média dissipada com 10 partidas / hora 3 x In @ 30s (W)	Potência média total dissipada com 10 partidas / hora 3 x In @ 30 s (W)
17 A	12	15.3	27.3
24 A	12	21.6	33.6
30 A	12	27	39
45 A	12	41	53
61 A	12	55	67
85 A	12	77	89
130 A	12	117	129
171 A	12	154	166
200 A	12	180	192
255 A	12	230	242
312 A	12	281	293
365 A	12	329	341
412 A	12	371	383

Tabela 3.3 - Potências dissipadas para dimensionamento do ventilador do painel

3.1.3.2 Montagem em Superfície

A figura 3.3 apresenta a instalação da Soft-Starter SSW-07 na superfície de uma placa de montagem.

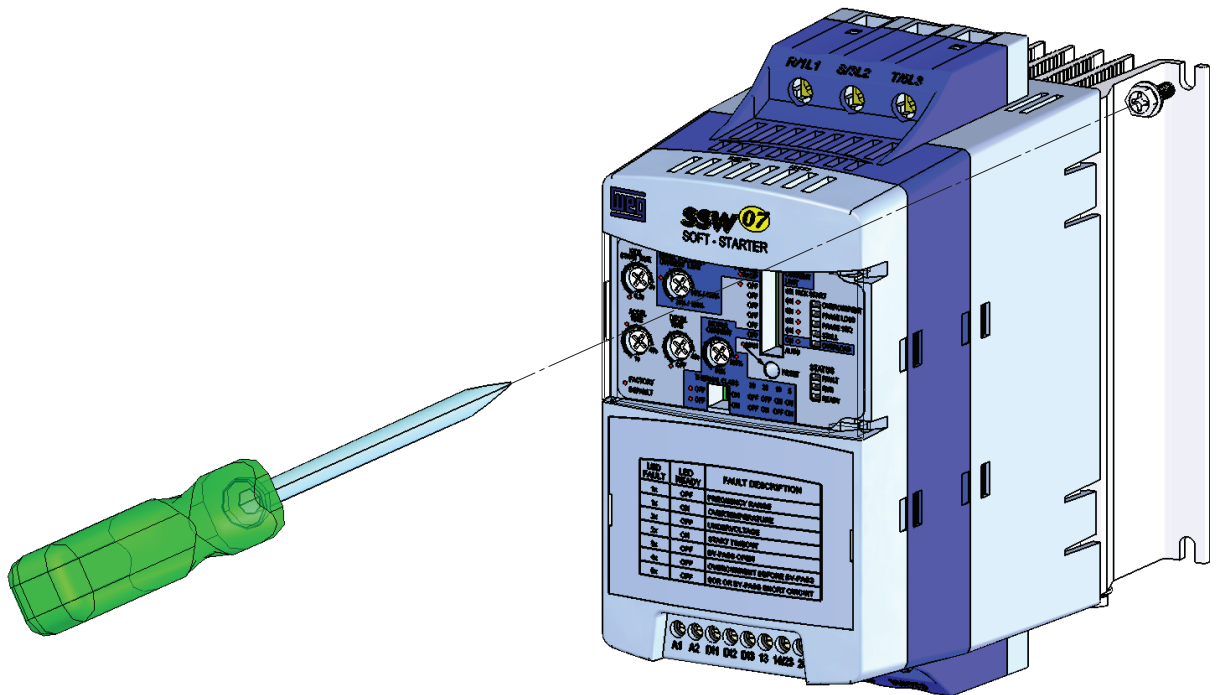


Figura 3.3 - Procedimento de instalação da SSW-07 em superfície

3.2 INSTALAÇÃO ELÉTRICA



PERIGO!

A Soft-Starter SSW-07 não pode ser utilizadas como mecanismo para parada de emergência.



PERIGO!

Certifique-se que a rede de alimentação está desconectada, antes de iniciar as ligações.



ATENÇÃO!

As informações a seguir podem ser utilizadas como guia para se obter uma instalação correta. Siga também as normas de instalação elétrica aplicáveis.



ATENÇÃO!

Se na primeira energização não for utilizado um contator ou um disjuntor de isolamento da potência com bobina de mínima tensão, energize primeiro a eletrônica, ajuste os trimpots necessários para colocar a SSW-07 em funcionamento e somente depois energize a potência.

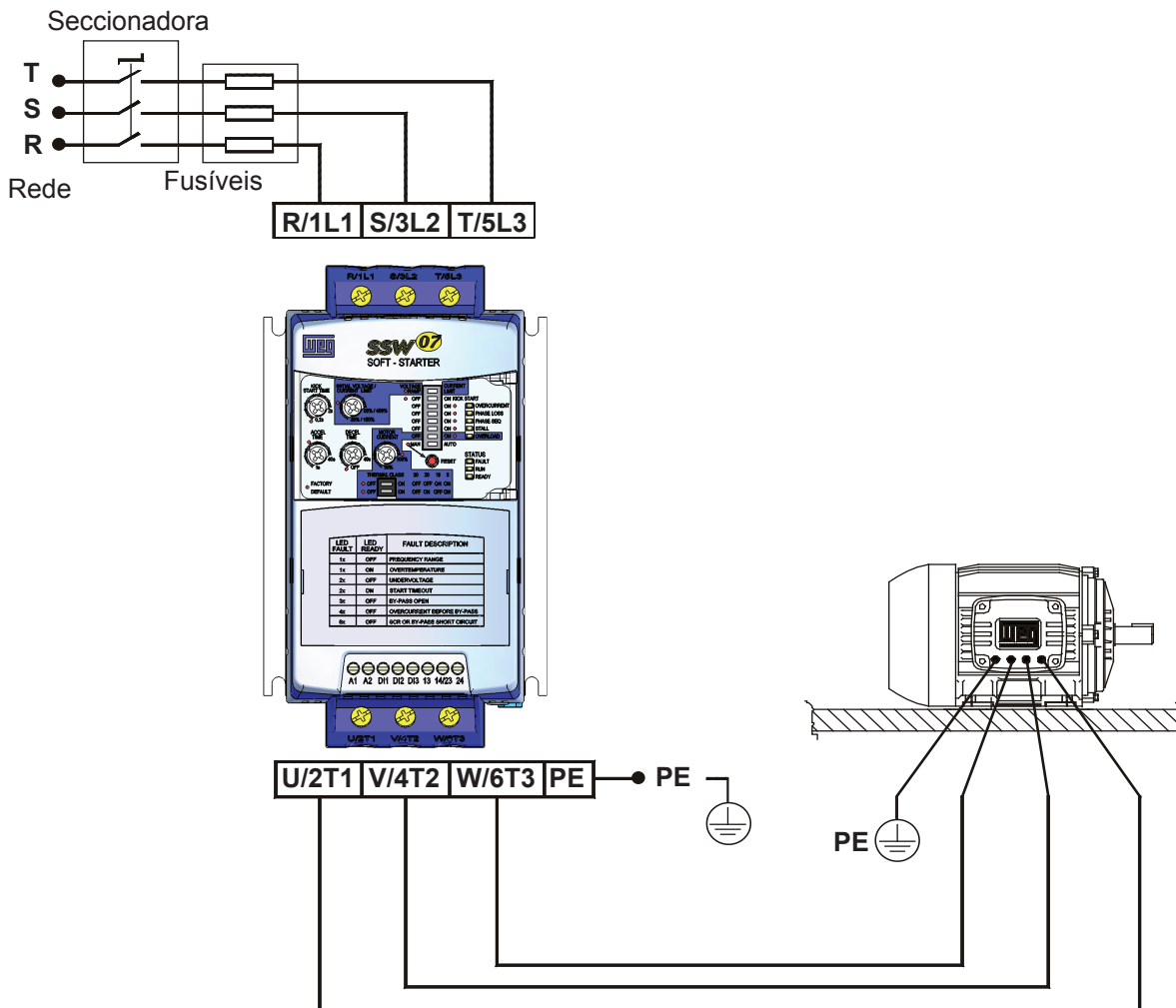


Figura 3.4 - Conexões de potência e aterramento para conexão padrão

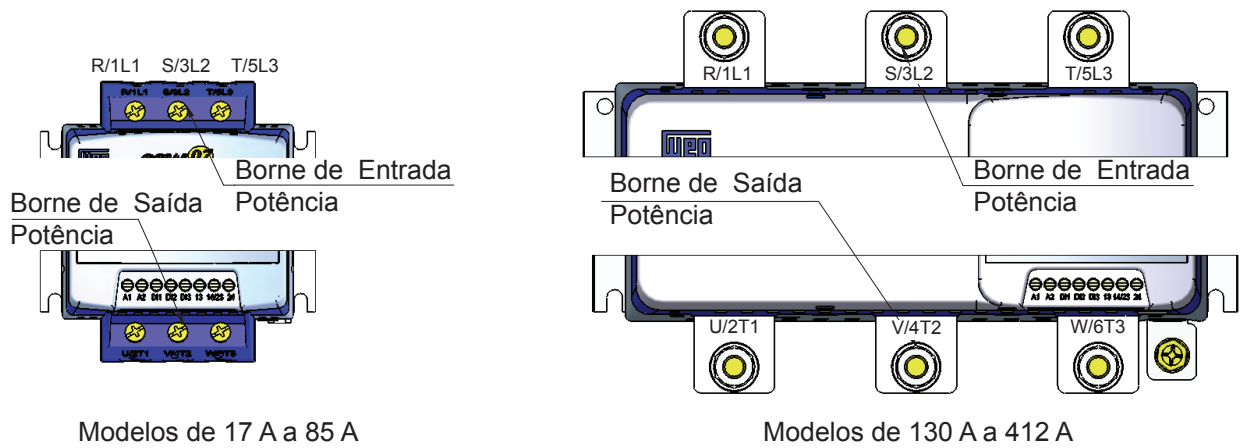
3.2.1 Bornes de Potência

Os bornes de conexão de potência variam de tamanhos e configurações dependendo do modelo da Soft-Starter SSW-07, como pode ser observado nas figuras 3.5 e 3.6.

Terminais:

R / 1L1, S / 3L2 e T / 5L3 : Rede de alimentação da potência.

U / 2T1, V / 4T2 e W / 6T3: Conexão para o motor.



Modelos de 17 A a 85 A

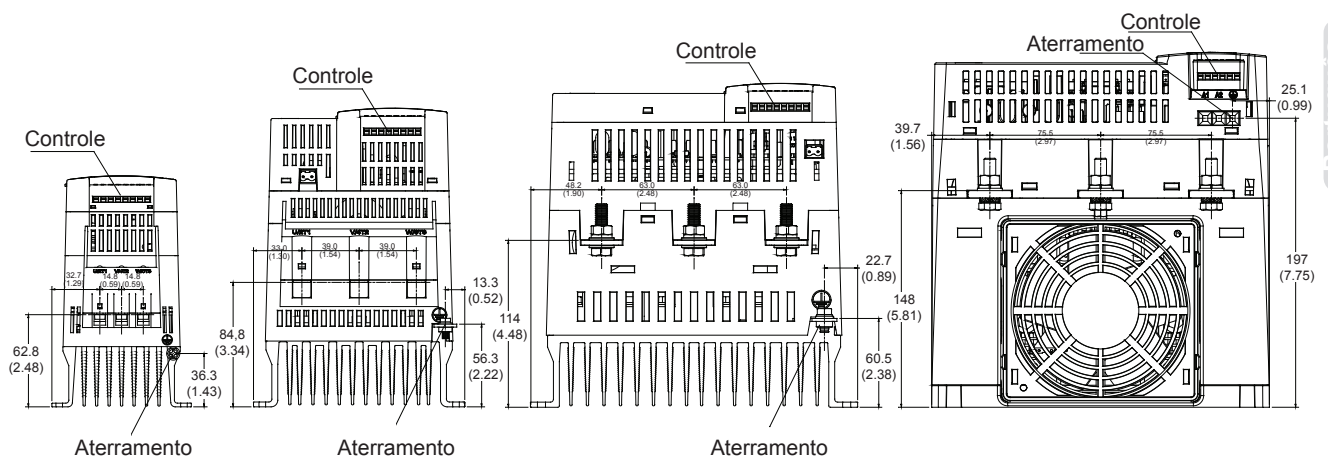
Modelos de 130 A a 412 A

Figura 3.5 - Bornes de potência

Modelo SSW-07	Mecânica	Rede / Motor		Aterramento	
		Parafuso / Borne	Torque Nm (in lb)	Parafuso	Torque Nm (in lb)
17 A 24 A 30 A	MEC-01	Borne	3 (27)	M4 (5/32")	4.5 (40)
45 A 61 A 85 A					
130 A 171 A 200 A	MEC-03	M8 (5/16")	19 (168)	M6 (1/4")	8.3 (73)
255 A 312 A 365 A 412 A					
	MEC-04	M10 (3/8")	37 (328)	Borne	0.5 (4.5)

Tabela 3.4 - Máximo torque nos bornes de conexão da potência

3.2.2 Localização das Conexões de Potência, Aterramento e Controle



Dimensões em mm (in).

Figura 3.6 - Localização das conexões de potência, aterramento e controle

3.2.3 Cabos de Potência e Aterramento Propostos

As especificações descritas na tabela 3.5 são válidas somente para as seguintes condições:

- ☑ Cabos de cobre com isolamento de PVC 70 °C, temperatura ambiente de 40 °C, instalados em canaletas perfuradas e não aglomerados;
- ☑ Barramentos de cobre nu ou prateado com cantos arredondados de 1 mm de raio, temperatura 80 °C e temperatura ambiente de 40 °C.



NOTA!

Para o correto dimensionamento dos cabos é necessário levar em conta as condições da instalação e a máxima queda de tensão permitida.

Modelo SSW-07	Cabo da potência (mm ²)	Cabo de aterramento (mm ²)
17 A	2.5	4
24 A	4	6
30 A	6	6
45 A	10	6
61 A	16	10
85 A	25	10
130 A	50	25
171 A	70	35
200 A	95	50
255 A	120	2.5
312 A	185	2.5
365 A	240	2.5
412 A	240	2.5

Tabela 3.5 - Especificação das bitolas mínima dos cabos

3.2.4 Conexão da Rede de Alimentação à Soft-Starter SSW-07



PERIGO!

A tensão de rede deve ser compatível com a faixa de tensão da Soft-Starter SSW-07.



PERIGO!

Prever um equipamento para seccionamento da alimentação da Soft-Starter SSW-07. Este deve seccionar a rede de alimentação para a Soft-Starter SSW-07 quando necessário (por ex.: durante trabalhos de manutenção).

Se uma chave isoladora ou contator for inserido na alimentação do motor nunca opere-os com o motor girando ou com a Soft-Starter SSW-07 habilitada.



ATENÇÃO!

O controle de sobretensões na rede que alimenta a Soft-Starter deve ser feito utilizando protetores de sobretensão com tensão de atuação de 680 Vca (conexão fase-fase) e capacidade de absorção de energia de 40 joules (modelos de 17 A a 200 A) e 80 joules (modelos de 255 A a 412 A).



NOTA!

Utilizar no mínimo as bitolas de fiação e os fusíveis recomendados nas tabelas 3.5 e 3.7. O torque de aperto do conector é indicado na tabela 3.4. Use fiação de cobre (70 °C) somente.

3.2.4.1 Capacidade da Rede de Alimentação

A Soft-Starter SSW-07 é adequada para ser utilizada num circuito capaz de fornecer não mais que X (conforme tabela 3.6) ampéres rms simétricos, Y volts máximo, quando protegida através de fusíveis ultra-rápidos.

Modelo SSW-07	Y = 220-575 V X (kA)
17 A	5
24 A	5
30 A	5
45 A	5
61 A	5
85 A	10
130 A	10
171 A	10
200 A	10
255 A	18
312 A	18
365 A	18
412 A	30

Tabela 3.6 - Máxima capacidade de corrente da fonte de alimentação

3.2.4.2 Fusíveis Recomendados

Devem ser utilizados na entrada fusíveis do tipo ultra-rápido (U.R.), os quais protegerão a SSW-07 contra curto circuito. É possível utilizar outros dispositivos de proteção contra curto circuito que protegerão a instalação, porém neste caso a SSW-07 ficará desprotegida.

Modelo SSW-07	Corrente nominal do fusível (A)	Máximo I ² t (10 ³ x A ² s)
17 A	50	0.57
24 A	80	3.2
30 A	80	3.2
45 A	100	6.4
61 A	125	8.4
85 A	200	40.9
130 A	315	77.6
171 A	450	134
200 A	500	196
255 A	400	72.5
312 A	500	190
365 A	550	190
412 A	700	256

Tabela 3.7 - Fusíveis recomendados

- 3.2.4.3 Contatores Recomendados Quando a SSW-07 for utilizada em aplicações que se faz necessário o uso de um contator de isolação, conforme a figura 3.10(K1), recomenda-se o uso de contatores WEG.

Modelo SSW-07	Contator WEG
17 A	CWM18
24 A	CWM25
30 A	CWM32
45 A	CWM50
61 A	CWM65
85 A	CWM95
130 A	CWM150
171 A	CWM180
200 A	CWM250
255 A	CWM250
312 A	CWM300
365 A	CWME400
412 A	CWME400

Tabela 3.8 - Contatores recomendados

3.2.5 Conexão da Soft-Starter SSW-07 ao Motor



PERIGO!

Capacitores de correção do fator de potência nunca podem ser instalados na saída da Soft-Starter SSW-07 (U/2T1, V/4T2 e W/6T3).



ATENÇÃO!

Para que as proteções baseadas na leitura e indicação de corrente funcionem corretamente, por exemplo a sobrecarga, a corrente nominal do motor não deverá ser inferior à 50 % da corrente nominal da Soft-Starter SSW-07.



NOTA!

Utilizar no mínimo as bitolas de fiação e fusíveis recomendados nas tabelas 3.5, 3.6 e 3.7. O torque de aperto do conector deve ser o indicado na tabela 3.4. Use somente fiação de cobre.



NOTA!

A Soft-Starter SSW-07 possui proteção eletrônica de sobrecarga do motor, que deve ser ajustada de acordo com o motor específico. Quando diversos motores forem conectados a mesma Soft-Starter SSW-07, utilize relés de sobrecarga individuais para cada motor.

3.2.5.1 Ligação
Padrão da
Soft-Starter
SSW-07 ao
Motor com
Três Cabos

Corrente de linha da Soft-Starter SSW-07 igual a corrente do motor.

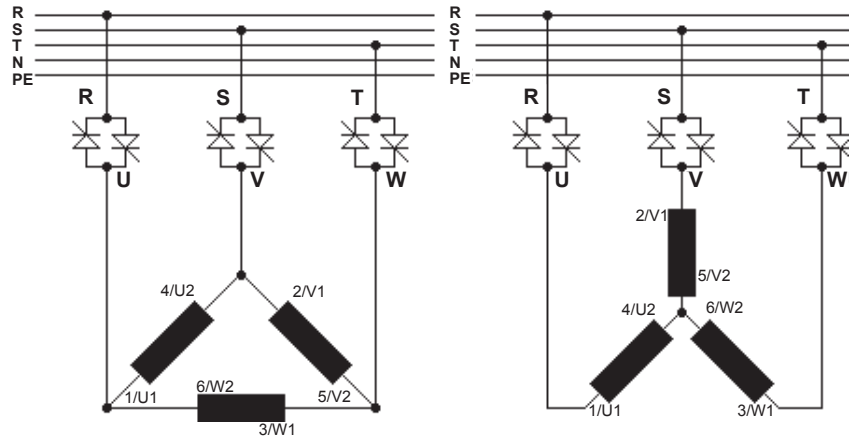


Figura 3.7 - Soft-Starter SSW-07 com ligação padrão

3.2.6 Conexões de
Aterramento



PERIGO!

As Soft-Starter SSW-07 devem ser obrigatoriamente aterradas a um terra de proteção (PE).

A conexão de aterramento deve seguir as normas locais. Conecte a uma haste de aterramento específica, ou ao ponto de aterramento específico ou ao ponto de aterramento geral (resistência ≤ 10 ohms).



PERIGO!

A rede que alimenta a Soft-Starter SSW-07 deve ser aterrada.



PERIGO!

Para aterramento não utilize o neutro e sim um condutor específico.



ATENÇÃO!

Não compartilhe a fiação de aterramento com outros equipamentos que operem com altas correntes (ex.: motores de alta potência, máquinas de solda, etc.). Quando várias Soft-Starters SSW-07 forem utilizadas, observe as conexões na figura 3.8.

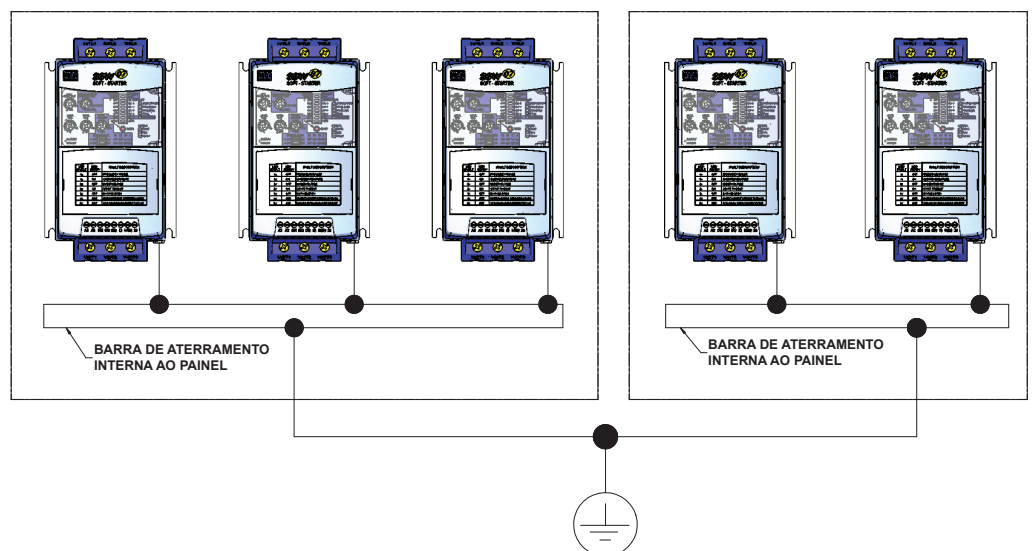


Figura 3.8 - Conexões de aterramento para mais de uma Soft-Starter SSW-07

EMI – Interferência eletromagnética

A Soft-Starter SSW-07 é desenvolvida para ser utilizada em sistemas industriais (Classe A), conforme a Norma EN60947-4-2. É necessário afastar os equipamentos e fiação sensíveis em 0,25 m da Soft-Starter SSW-07 e dos cabos entre a Soft-Starter SSW-07 e o motor. Exemplo: Fiação de PLCs, controladores de temperatura, cabos de termopar, etc.

Aterramento da Carcaça do Motor

Sempre aterrar a carcaça do motor. A fiação de saída da Soft-Starter SSW-07 para o motor deve ser instalada separadamente da fiação de entrada da rede, bem como da fiação de controle e sinal.

3.2.7 Conexões de Sinal e Controle As conexões de controle (entradas digitais e saídas a relé) são feitas através dos bornes (consulte o posicionamento na figura 3.9).


Terminal	Descrição	Especificação	Torque Nm
A1	Alimentação da Eletrônica	Tensão: 110 Vca a 240 Vca (-15 % a +10 %) (modelos de 17 A a 200 A), 110 Vca a 130 Vca ou 208 a 240 Vca (-15 % a +10 %) (modelos de 255 A a 412 A)	0,5
A2			
	Aterramento	Somente para os modelos 255 A a 412 A	
Terminal	Padrão de Fábrica	Especificação	
DI1	Aciona / Desaciona o motor	3 entradas digitais isoladas	
DI2	Reset de Erros	Tensão 110 Vca a 240 Vca (-15 % a +10 %)	
DI3	Reset de Erros	Corrente: 2 mA Máx.	
13	Saída a relé a - Operação	Capacidade dos contatos:	
14/23	Ponto Comum dos relés	Tensão: 250 Vca	
24	Saída relé 2 – Tensão Plena	Corrente: 1 A	

Tabela 3.9 - Descrição dos pinos conectores de controle

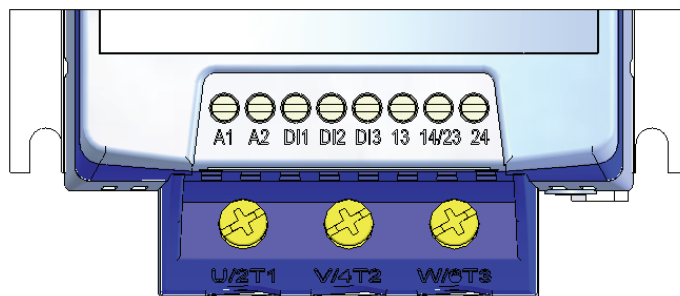


Figura 3.9 - Bornes de controle da SSW-07

3.3 ACIONAMENTOS SUGESTIVOS A seguir são apresentados alguns acionamentos sugestivos, os quais podem ser utilizados inteiramente ou em partes para montar o acionamento desejado.

As principais notas de advertência, para todos os acionamentos sugestivos, são apresentadas a seguir e estão relacionados nos esquemas através dos seus respectivos números:



NOTAS!

- ① Para proteção de toda a instalação elétrica é necessária a utilização de fusíveis ou disjuntores no circuito de entrada. Não é necessário a utilização de fusíveis ultra-rápidos para o funcionamento da Soft-Starter SSW-07, porém a sua utilização é recomendada para a completa proteção da SSW-07.
- ② O transformador “T1” é opcional e deve ser utilizado quando houver diferença entre a tensão da rede de alimentação e a tensão de alimentação da eletrônica.
- ③ Caso ocorram danos no circuito de potência da Soft-Starter SSW-07 que mantenham o motor acionado por curto circuito, a proteção do motor é obtida com a utilização do contator (K1) ou disjuntor (Q1) de isolação da potência.
- ④ Botoeira Aciona.
- ⑤ Botoeira Desaciona.
- ⑥ Chave aciona/desaciona, lembre-se que ao utilizar comando por entrada digital a dois fios (chave normalmente aberta com retenção) caso ocorra falta de energia elétrica, ao retornar, o motor será acionado imediatamente se a chave permanecer fechada.
- ⑦ Em caso de manutenção, na Soft-Starter SSW-07 ou no motor, é necessário retirar os fusíveis de entrada ou seccionar a entrada de alimentação para garantir a completa desconexão do equipamento da rede de alimentação.
- ⑧ A emergência pode ser utilizada cortando-se a alimentação da eletrônica.
- ⑨ Bobina de mínima tensão do disjuntor de isolação da potência Q1.

3.3.1 Acionamento Sugestivo com Comandos por Entradas Digitais a Dois Fios e Contator de Isolação da Potência

Consulte as notas no item 3.3

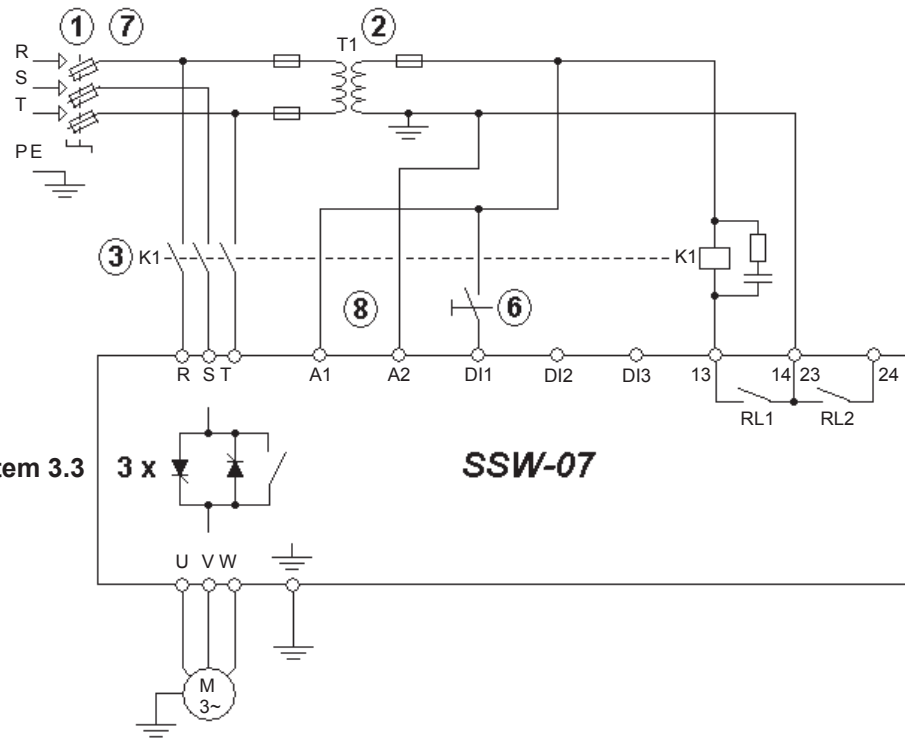


Figura 3.10 - Acionamento sugestivo com comandos por entradas digitais a dois fios e contator de isolação da potência

3.3.2 Acionamento Sugestivo com Comandos por Entradas Digitais a Três Fios e Disjuntor de Isolação da Potência

Consulte as notas no item 3.3

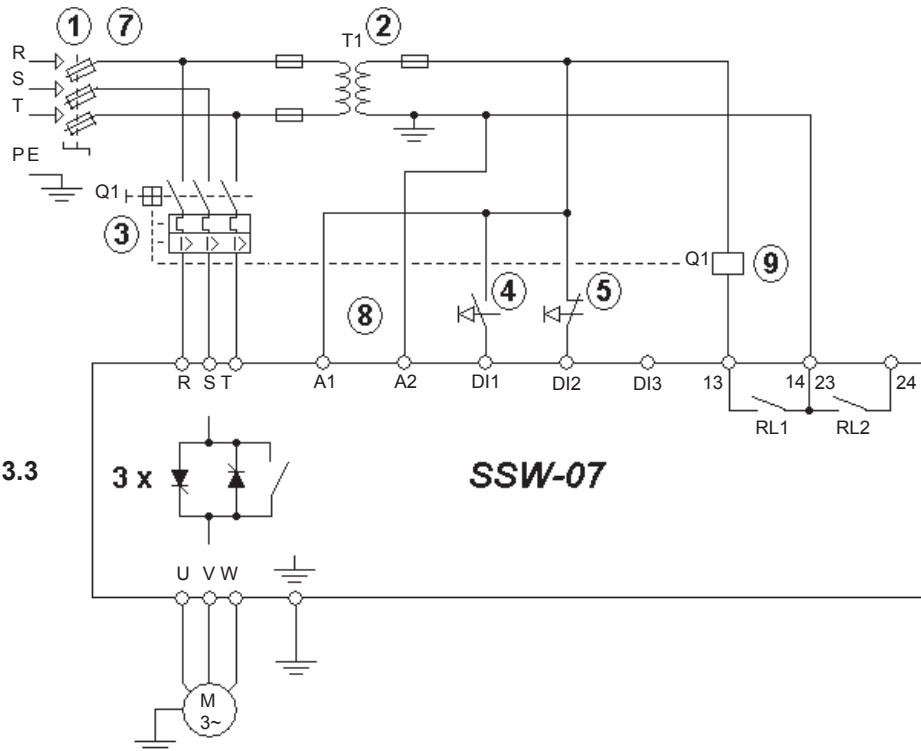


Figura 3.11 - Acionamento sugestivo com comandos por entradas digitais a três fios e disjuntor de isolação da potência



NOTA!



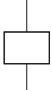


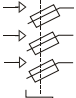
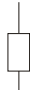

É necessário programar a entrada digital DI2 para a função comandos a 3 fios. Consulte o item 4.10.




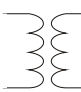
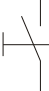
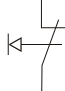
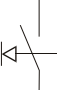
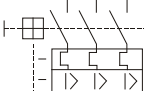


NOTA!

O RL1 precisa ser programado para a função "sem erro". Consulte o item 4.12.

3.3.3 Simbologia

	Conexão elétrica entre dois sinais
	Bornes para conexão
	Bobina relé, contator
	Contato normalmente aberto
	Sinaleiro
	Seccionadora ou Disjuntor (abertura sob carga)
	Resistor
	Capacitor

	Fusível
	Tiristor/SCR
	Motor trifásico
	Transformador
	Chave N.A. (com retenção)
	Botoeira push-botton normalmente fechada
	Botoeira push-botton normalmente aberta
	Disjuntor com bobina de mínima tensão

COMO AJUSTAR A SSW-07

Este capítulo descreve como fazer os ajustes necessários para o correto funcionamento da SSW-07.

4.1 AJUSTE DO TIPO DE CONTROLE

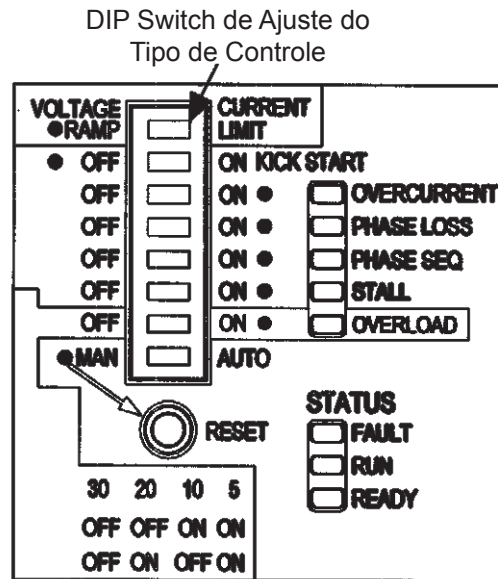


Figura 4.1 - Ajuste do tipo de controle

Selecionar o tipo de controle de partida que melhor se adapte a sua aplicação.

Partida com rampa de tensão:

Este é o método mais comumente utilizado. Muito fácil de programar e ajustar.

A Soft-Starter SSW-07 impõe a tensão aplicada ao motor.

Geralmente aplicado a cargas com torque inicial menor ou torque quadrático.

Este tipo de controle pode ser usado como um teste inicial de funcionamento.

Partida com limite de corrente:

O máximo nível de corrente é mantido durante a partida sendo ajustado de acordo com as necessidades da aplicação.

Geralmente aplicado a cargas com torque inicial maior ou torque constante.

Este tipo de controle é utilizado para adequar a partida aos limites de capacidade da rede de alimentação.

4.2 KICK START

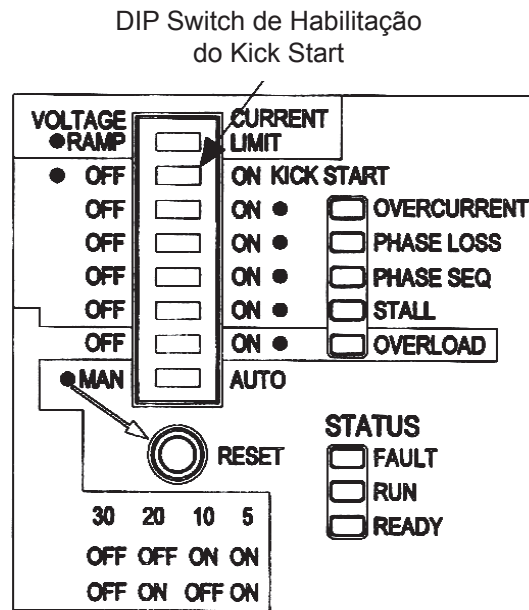


Figura 4.2 - Habilitação do Kick Start

A Soft-Starter SSW-07 possibilita a utilização de um pulso de torque na partida para cargas que apresentam uma grande resistência inicial ao movimento.

Esta função é habilitada através da DIP Switch Kick Start. O tempo de duração do pulso de tensão é ajustável através do trimpot Kick Start Time.

O pulso de tensão aplicado é de 80% Un durante o tempo programado no trimpot Kick Start Time.



NOTA!

Utilizar esta função apenas para aplicações específicas onde houver necessidade.

4.3 AJUSTE DA TENSÃO INICIAL

Ajustar o valor da tensão inicial para o valor em que comece a girar o motor acionado pela SSW-07, tão logo ela receba o comando de aciona.

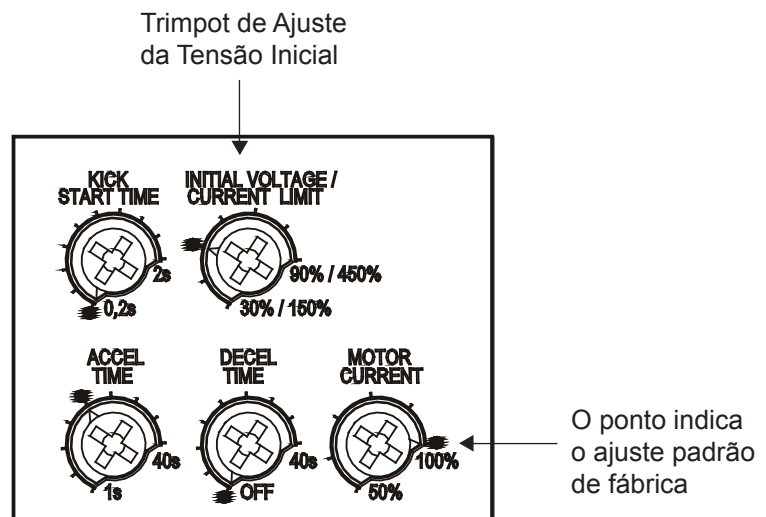


Figura 4.3 - Ajuste da tensão inicial



NOTA!

O trimpot Initial Voltage possui a função de ajuste da Tensão Inicial somente quando o tipo de controle estiver programado para partida com rampa de tensão.

4.4 AJUSTE DO LIMITE DE CORRENTE

Este ajuste define o valor limite máximo de corrente durante a partida do motor em porcentagem da corrente nominal da Soft-Starter.

Se o limite de corrente for atingido durante a partida do motor, a Soft-Starter SSW-07 irá manter a corrente nesse limite até o motor atingir o final da partida.

Se o limite de corrente não for atingido o motor irá partir imediatamente.

A limitação de corrente deve ser ajustada para um nível que se observe a aceleração do motor, caso contrário o motor não irá partir.

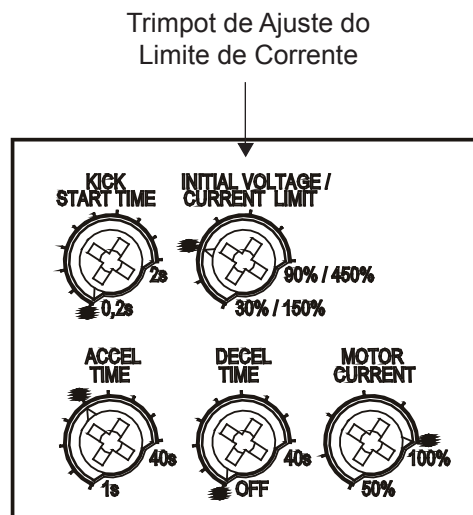


Figura 4.4 - Ajuste do limite de corrente



NOTAS!

Se no final do tempo de rampa de aceleração (ajustado no Trimpot Accel Time), não for atingido a tensão plena, haverá a atuação do Erro de excesso de tempo de limitação de corrente. Este erro é indicado através do LED Fault piscando 2 vezes com o LED Ready aceso.

O trimpot Current Limit possui a função de ajuste do Limite de Corrente somente quando o tipo de controle estiver programado para partida com Limite de Corrente.

4.5 AJUSTE DO TEMPO DA RAMPA DE ACELERAÇÃO

Quando a Soft-Starter SSW-07 estiver programada com controle de Rampa de Tensão, este é o tempo da rampa de incremento de tensão.

Quando a Soft-Starter SSW-07 estiver programada com controle de Limite de Corrente, este tempo atua como tempo máximo de partida, atuando como uma proteção contra rotor bloqueado.

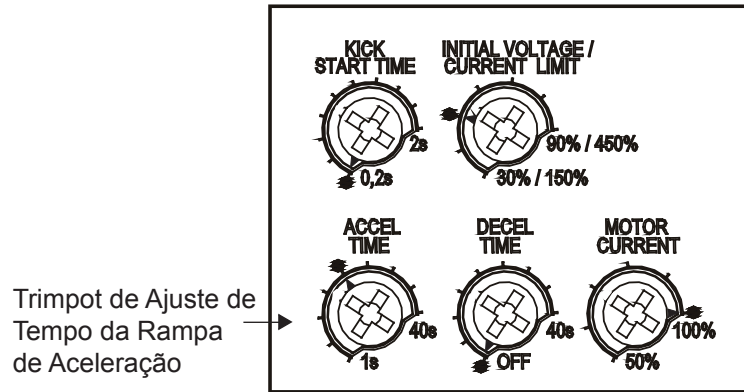


Figura 4.5 - Ajuste do tempo da rampa de aceleração



NOTA!

O tempo de aceleração programado não é o tempo exato de aceleração do motor, mas sim o tempo da rampa de tensão ou o tempo máximo para a partida. O tempo de aceleração do motor dependerá das características do motor e também da carga.

Tomar cuidado para que nos casos em que a relação de corrente da SSW-07 e da Corrente nominal do motor é 1,00 o tempo máximo que a SSW-07 pode funcionar com $3 \times I_n$ da SSW-07 é 30 segundos.

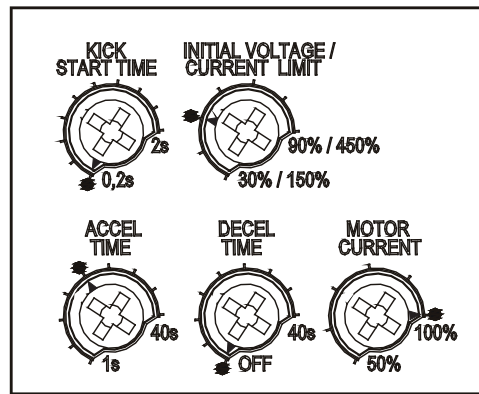
4.6 AJUSTE DO TEMPO DA RAMPA DE DESACELERAÇÃO

Habilita e ajusta o tempo da rampa de decremento de tensão. Este ajuste deve ser utilizado apenas em desaceleração de bombas, para amenizar o golpe de aríete. Este ajuste deve ser feito para conseguir o melhor resultado prático.



NOTA!

Esta função é utilizada para prolongar o tempo de desaceleração normal de uma carga e não para forçar um tempo menor que o imposto pela própria carga.



↑
Trimpot de Ajuste do
Tempo da Rampa
de Desaceleração

Figura 4.6 - Ajuste do tempo da rampa de desaceleração

4.7 AJUSTE DE CORRENTE DO MOTOR

Este ajuste irá definir a relação de corrente da SSW-07 e do motor por ela acionado. Este valor é de extrema importância, pois é ele quem irá definir as proteções do motor acionado pela SSW-07. O ajuste desta função interfere diretamente nas seguintes proteções do motor:

- Sobrecarga;
- Sobrecorrente;
- Rotor Bloqueado;
- Falta de Fase.

Exemplo de Cálculo:
SSW-07 utilizada: 30 A
Motor utilizado: 25 A

Trimpot de Ajuste da Corrente do Motor

$$\text{Ajuste da Corrente do Motor} = \frac{I_{\text{Motor}}}{I_{\text{SSW-07}}}$$

$$\text{Ajuste da Corrente do Motor} = \frac{25 \text{ A}}{30 \text{ A}}$$

$$\text{Ajuste da Corrente do Motor} = 0,833$$

Portanto deve ser ajustado em 83 %

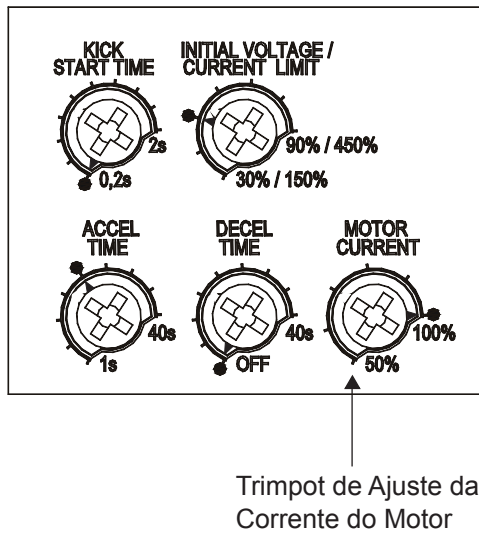


Figura 4.7 - Ajuste da corrente do motor

4.8 PROTEÇÃO DE SOBRECARGA ELETRÔNICA DO MOTOR

A proteção de sobrecarga eletrônica do motor faz a simulação do aquecimento e resfriamento do motor, chamada imagem térmica. Essa simulação usa como dado de entrada o valor de corrente eficaz verdadeiro (True rms). A curva com o tempo de atuação na condição de sobrecarga do motor está definida na figura 4.8.

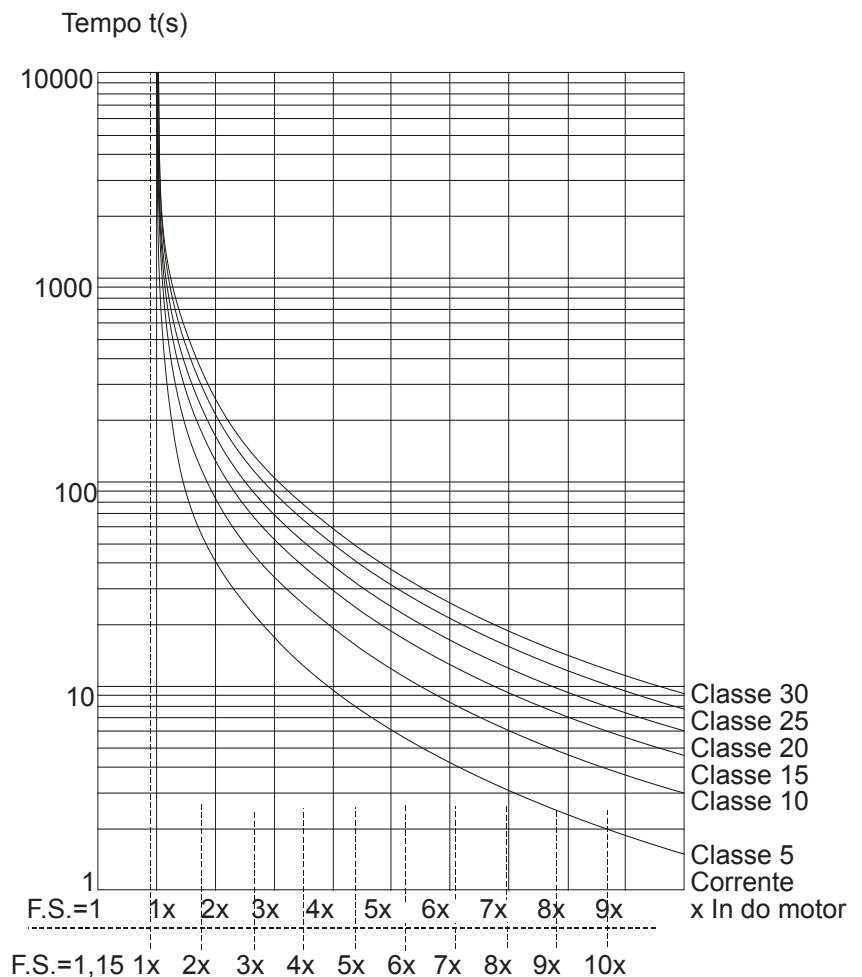


Figura 4.8 - Classes térmicas de proteção do motor a frio

Corrente do Motor	Classe		
	30	20	10
3xIn	101,2 s	67,5 s	33,7 s
5xIn	36,1 s	24 s	12 s
7xIn	18,3 s	12,2 s	6,1 s

Tabela 4.1 - Tempo das classes térmicas de proteção do motor a frio com F.S.=1

Corrente do Motor	Classe		
	30	20	10
3xIn	135,1 s	90,1 s	45,1 s
5xIn	47,7 s	31,8 s	15,9 s
7xIn	24,3 s	16,2 s	8,1 s

Tabela 4.2 - Tempo das classes térmicas de proteção do motor a frio com F.S.=1,15



NOTAS!

- Quando a SSW-07 ficar sem tensão de alimentação da eletrônica (A1 e A2), a imagem térmica é salva internamente. Ao retornar a alimentação (A1 e A2) o valor da imagem térmica retorna ao valor anterior à falta de alimentação da eletrônica;
- O RESET da proteção de sobrecarga eletrônica pode ser ajustado para a função manual (man), neste caso, deve-se fazer o RESET via entrada digital 2 (DI2) ou através do botão de RESET. Se o ajuste do RESET estiver ajustado para automático (auto), a condição de erro é automaticamente resetada após transcórrer o tempo de resfriamento;
- Ao desativar a proteção de sobrecarga eletrônica, a imagem térmica é zerada.

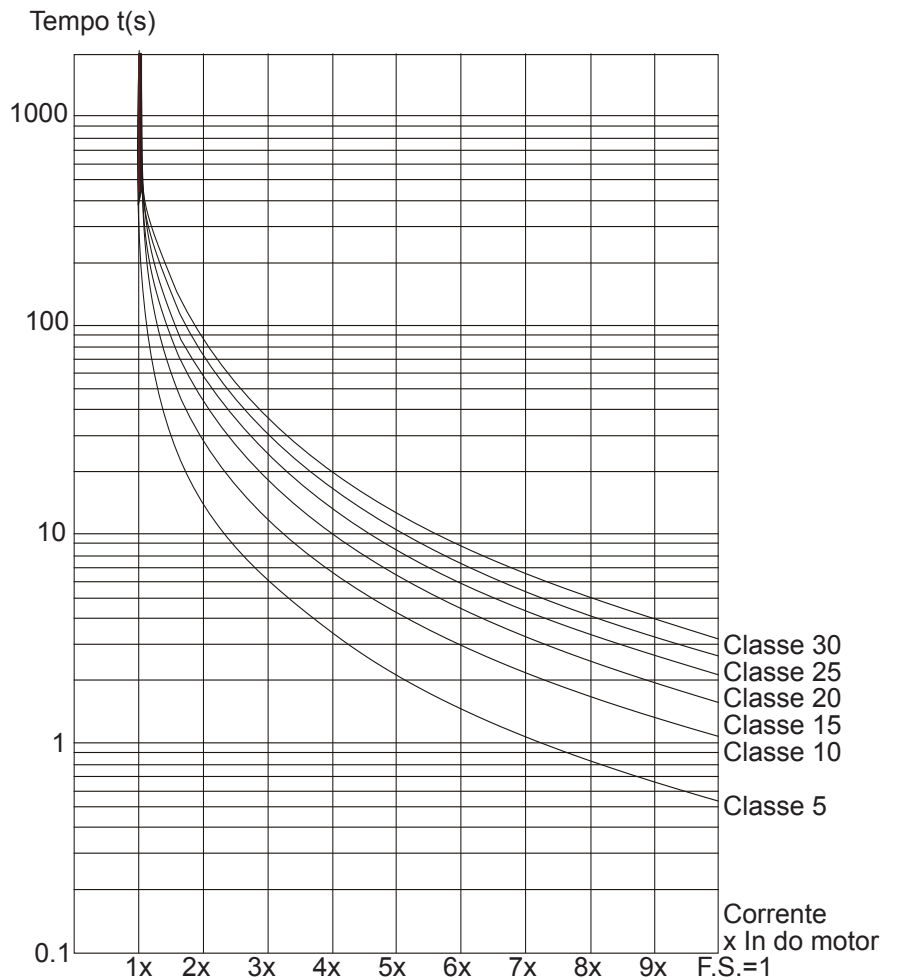


Figura 4.9 - Classes térmicas de proteção do motor a quente com 100 % In

Corrente do Motor	Classe		
	30	20	10
3xIn	34,4 s	23,6 s	11,8 s
5xIn	12,6 s	8,4 s	4,2 s
7xIn	6,4 s	4,2 s	2,1 s

Tabela 4.3 - Tempo das classes térmicas de proteção do motor a quente

Corrente em % de In do Motor	Fator
0 % (a frio)	1
20 %	0,87
40 %	0,74
60 %	0,61
80 %	0,48
100 % (plena carga)	0,35

Tabela 4.4 - Fator de multiplicação dos tempos das classes térmicas a frio para obter os tempos das classes térmicas a quente

4.9 RESET

Uma condição de erro pode ser resetada através do botão de RESET na parte frontal da SSW-07, ou através de uma botoeira pulsante (0,5 segundos) na DI3 (entrada digital para RESET). Outra forma para efetuar o RESET na SSW-07, é desligar e ligar novamente a tensão da eletrônica (A1 e A2).



NOTAS!

Na SSW-07 existe a possibilidade de RESET automático, bastando habilitar esta função via DIP Switch (auto):

- O tempo para ocorrer o RESET automático após a ocorrência do erro é de 15 minutos para as seguintes condições:
 - Sobrecorrente;
 - Falta de fase;
 - Rotor bloqueado;
 - Sobrecorrente antes do By-Pass;
 - Frequência fora da tolerância;
 - Contato do relé By-Pass interno aberto;
 - Subtensão na alimentação da eletrônica;
 - Erro externo.
- Para seqüência de fase incorreta não existe RESET automático.
- Para sobrecarga eletrônica do motor existe um algoritmo específico para tempo de RESET automático.

4.10 PROGRAMAÇÃO DA ENTRADA DIGITAL DI2

Na programação padrão de fábrica, a entrada digital DI2 tem sua função programada para reset de erros. A DI2 pode ser programada também para funcionar com controle a três fios.

O controle a três fios possibilita que a Soft-Starter seja comandada através de duas entradas digitais. DI1 como entrada de aciona e DI2 como entrada de desaciona. Podendo assim colocar diretamente uma botoeira de duas teclas. Consulte o item 3.3.2.

Para alterar a programação da entrada digital DI2, seguir as seguintes instruções:

1. Para entrar no modo programação, manter pressionada a tecla reset na parte frontal da SSW-07 por 5 segundos. Mantendo-a pressionada durante a programação;
2. Quando estiver no modo programação, acenderá dois LEDs (sobrecorrente e falta de fase), indicando que a DI2 está programada para Reset de erros.
Acendendo três LEDs (sobrecorrente, falta de fase e seqüência de fase), indica que a DI2 está programada para comandos a três fios;
3. Para alterar a programação para comandos a três fios, mover a DIP Switch de sobrecorrente e voltar para a posição anterior. Acenderá os três LEDs, indicando que a DI2 está programada para comandos a três fios;
4. Para alterar a programação da DI2 para Reset de erros, mover a DIP Switch de Kick Start e voltar para a posição anterior. Acenderá os dois LEDs, indicando que a DI2 está programada para Reset de erros;

5. Ao desacionar a tecla de reset a programação estará concluída.

4.11 FUNCIONAMENTO DAS SAÍDAS A RELÉ

- O relé para a Função de Operação fecha seu contato NA. (13-14/23), sempre que a SSW-07 receber um comando de aciona, este contato somente é aberto no final da rampa de desaceleração (quando esta estiver ajustada via trimpot), ou quando a SSW-07 receber o comando para desacionar.
- O relé para Função Tensão Plena fecha o seu contato NA. (14/23 - 24) sempre que a SSW-07 estiver com 100 % da tensão aplicada ao motor por ela acionado, este contato é aberto quando a SSW-07 receber o comando para desacionar.

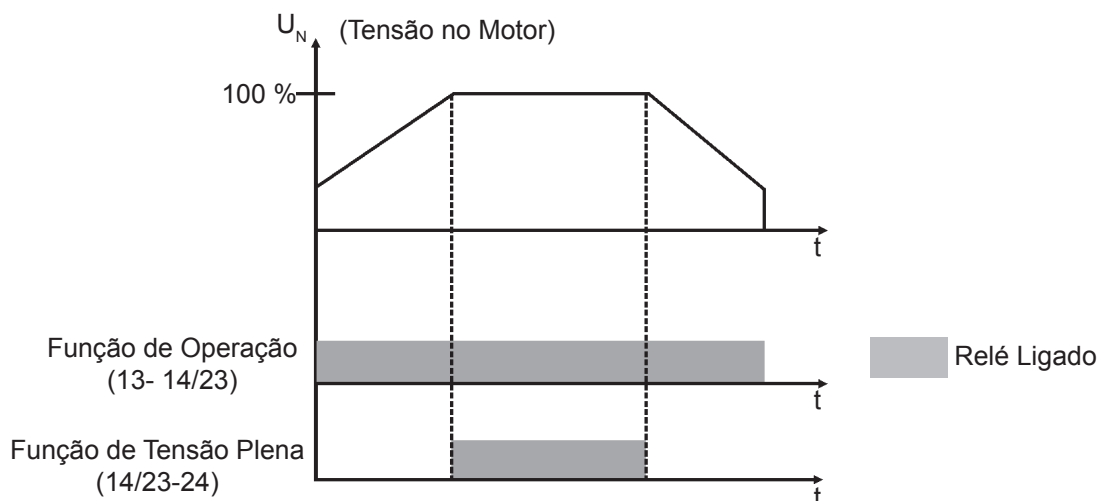


Figura 4.10 - Funcionamento das saídas a relé

4.12 PROGRAMAÇÃO DA SAÍDA A RELÉ RL1

Na programação padrão de fábrica, a saída a relé RL1 tem a sua função programada para “Operação”. O RL1 (13/14) pode ser programado também para funcionar “Sem erro”. Essa função possibilita a instalação de um disjuntor com bobina de mínima tensão na entrada da Soft-Starter SSW-07. Consulte o item 3.3.2 Para alterar a programação da saída a relé RL1, seguir as seguintes instruções:

1. Para entrar no modo programação, manter pressionada a tecla reset na parte frontal da SSW-07 por 5 segundos. Mantendo-a pressionada durante a programação;
2. Quando estiver no modo programação, acenderá dois LEDs (sobrecorrente e falta de fase), indicando que a DI2 está programada para Reset de erros. Acendendo três LEDs (sobrecorrente, falta de fase e sequência de fase), indica que a DI2 está programada para comandos a três fios. Se o LED Overload acender, a função do RL1 é “Sem erro”, caso contrario a função é “Operação”;
3. Para alterar a programação do RL1 é necessário mover a DIP Switch de “overload” e voltar para a posição anterior. O LED overload indica a nova programação do RL1.
 - LED Overload apagado: Função de Operação;
 - LED Overload aceso: Função Sem Erro.

INFORMAÇÕES E SUGESTÕES DE PROGRAMAÇÃO

Este capítulo auxilia o usuário a ajustar e programar os tipos de controle de partida conforme a sua aplicação.

5.1 APLICAÇÕES E PROGRAMAÇÃO



ATENÇÃO!

Sugestões e notas importantes para cada tipo de controle de partida.



ATENÇÃO!

Para saber a correta programação dos parâmetros tenha em mãos os dados de sua carga e utilize o Software de Dimensionamento WEG (Soft-Starter) disponível na página de internet da WEG (<http://www.weg.net>).

Caso não possa utilizá-lo siga alguns conceitos práticos descritos neste capítulo.

A seguir são apresentadas curvas características com o comportamento da corrente e do torque de partida conforme alguns tipos de controle.

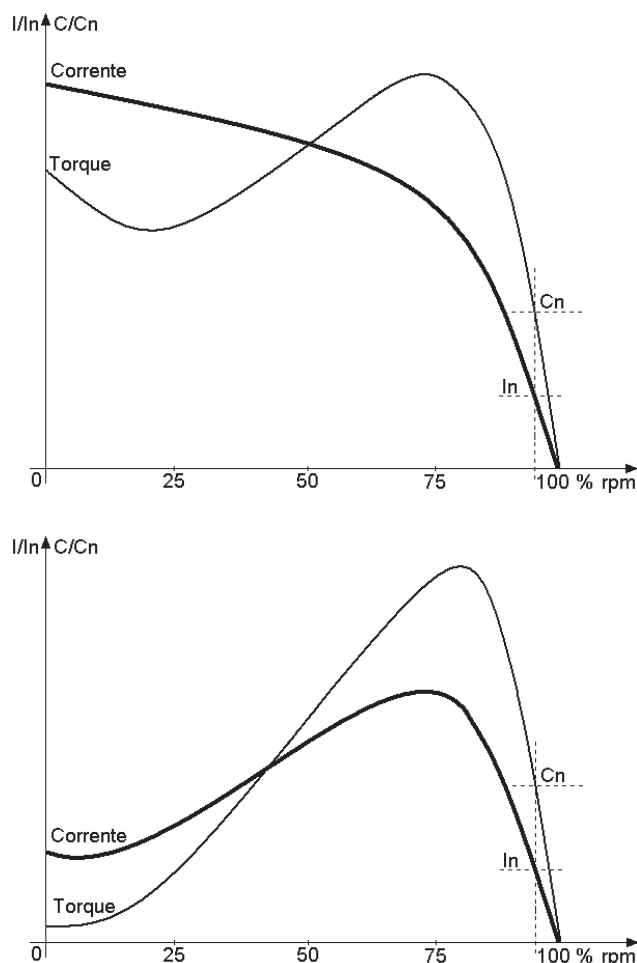


Figura 5.1 - Curvas características de torque e corrente numa partida direta e por rampa de tensão

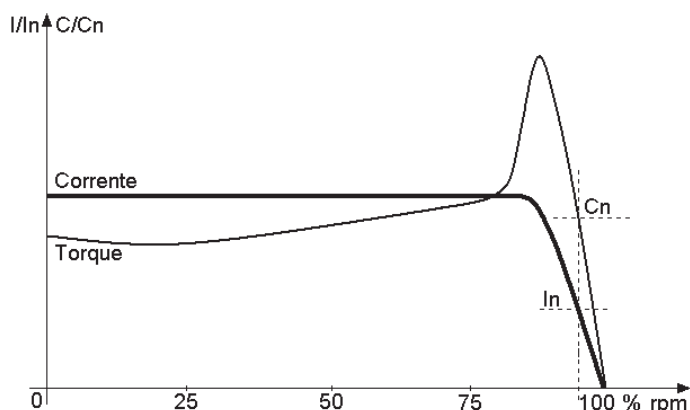


Figura 5.2 - Curvas características de torque e corrente numa partida limitação de corrente

5.1.1 Partindo com Rampa de Tensão

- 1) Ajustar o valor da tensão inicial, para um valor baixo;
- 2) Quando for colocada carga no motor, ajuste a tensão inicial para um valor que faça o motor girar suavemente a partir do instante que for acionado;
- 3) Ajustar o tempo de aceleração com o tempo necessário para a partida, inicialmente com tempos curtos, 10 a 15 segundos, depois tente encontrar a melhor condição de partida para a carga utilizada.

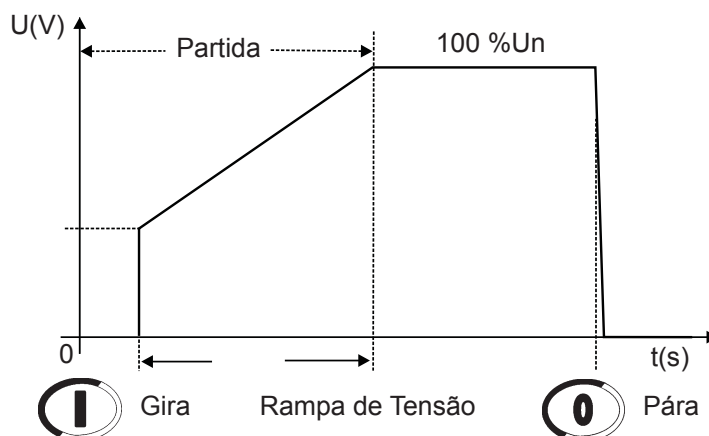


Figura 5.3 – Partida com rampa de tensão



NOTAS!

- Com longos tempos de partida, ou o motor sem carga, podem ocorrer trepidações durante a partida do motor, portanto diminua o tempo de partida;
- Caso ocorram erros durante a partida, revise todas as conexões da Soft-Starter a rede de alimentação, conexões do motor, níveis das tensões da rede de alimentação, fusíveis, disjuntores e seccionadoras.

5.1.2 Partindo com Limite de Corrente

- 1) Para partir com limitação de corrente deve-se partir com carga, testes a vazio podem ser feitos com rampa de tensão;
- 2) Ajustar tempo de aceleração com o tempo necessário para a partida, inicialmente com tempos curtos, 20 a 25 s. Esse tempo será utilizado como tempo de rotor bloqueado caso o motor não parta;
- 3) Ajustar o Limite de Corrente conforme as condições que sua instalação elétrica permita e também a valores que forneçam torque suficiente para partir o motor. Inicialmente pode ser programado com valores entre 2x a 3x a corrente nominal do motor (I_n do motor).

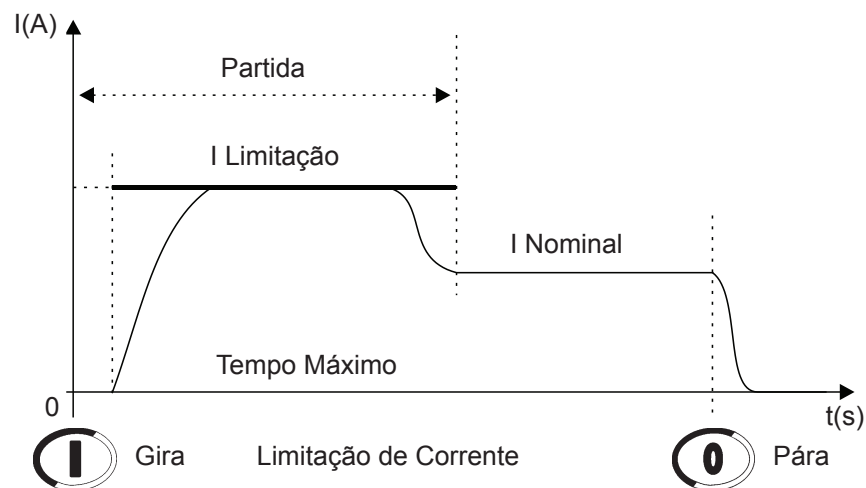


Figura 5.4 - Partida com limite de corrente constante



NOTAS!

- ☑ Se o limite de corrente não for atingido durante a partida, o motor irá partir imediatamente;
- ☑ Valores muito baixos de Limite de Corrente não proporcionam torque suficiente para partir o motor. Mantenha o motor sempre girando a partir do instante que for acionado;
- ☑ Para cargas que necessitam de um torque inicial de partida mais elevado, pode-se utilizar a função Kick Start;
- ☑ Caso ocorram erros durante a partida, revise todas as conexões da Soft-Starter a rede de alimentação, conexões do motor, níveis das tensões da rede de alimentação, fusíveis, disjuntores e seccionadoras.

5.2 PROTEÇÕES E PROGRAMAÇÃO

- 5.2.1 Sugestão de como Programar a Classe Térmica
- 1) Parta inicialmente na classe térmica padrão, algumas vezes, mas sem que o motor aqueça excessivamente;
 - 2) Determine o correto tempo de partida. Encontre uma média da corrente utilizando um multímetro com uma alicate de corrente; Para qualquer tipo de controle de partida pode se encontrar uma média da corrente;

Por exemplo:

Partindo por rampa de tensão um motor de 80 A. A corrente inicia em 100 A e vai até 300 A, retornando depois a nominal em 20 s.
 $(100 \text{ A} + 300 \text{ A})/2 = 200 \text{ A}$
 $200 \text{ A}/80 \text{ A} = 2,5 \times I_n$ do motor
 então: $2,5 \times I_n @ 20 \text{ s}$.

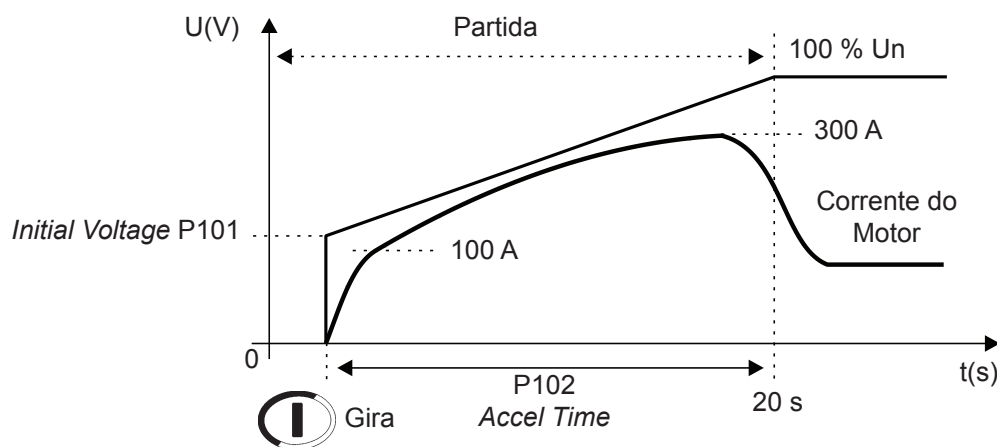


Figura 5.5 - Curva típica de corrente numa partida por rampa de tensão

- 3) Utilize esse tempo para encontrar a mínima classe necessária para partir o motor a frio. No item 4.8 - Proteção de Sobrecarga é possível verificar as curvas das classes térmicas do motor a frio.

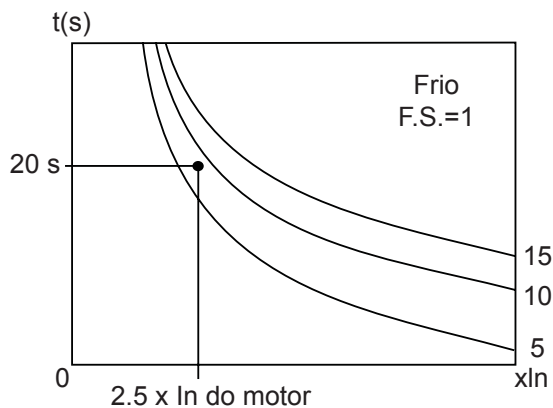


Figura 5.6 - Verificando a classe mínima nas curvas a frio

Portanto, a mínima classe necessária para partir o motor é a Classe 10, a Classe 5 tem tempo inferior para esta corrente. Esta classe permite a partida do motor a frio.

4) Para identificar a classe térmica necessária para partir o motor a quente, é necessário saber o tempo de rotor bloqueado que o motor suporta.



NOTA!

Para programar corretamente a Classe Térmica que irá proteger seu motor é essencial saber o tempo de rotor bloqueado que o motor permite. Este dado está disponível no catálogo do fabricante do motor.

Com o tempo de rotor bloqueado encontramos a máxima classe térmica que irá proteger o motor para partir a quente. No item 4.8 - Proteção de Sobrecarga é possível verificar as curvas das classes térmicas do motor a quente.

Por exemplo:

6,6 x In @ 6 s

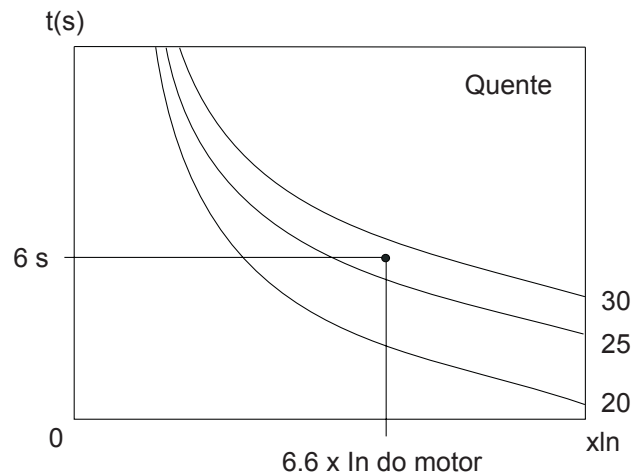


Figura 5.7 - Verificando a classe máxima nas curvas a quente

A classe 25 é a classe térmica mais elevada que protege o motor e permite a sua partida a quente ou em qualquer outra condição.



NOTA!

Lembre-se que esta proteção toma como padrão o Motor Trifásico IP55 Standard WEG, portanto se o seu motor for diferente não programe a classe térmica na máxima e sim próximo da mínima classe térmica necessária para a partida.

Exemplo de programação da classe térmica:

Dados do motor:

Potência: 50 cv

Tensão: 380 V

Corrente Nominal (In): 71 A

Fator de Serviço (F.S.): 1,00

I_p/I_n : 6,6

Tempo de rotor bloqueado: 12 s a quente

Velocidade: 1770 rpm

Dados de partida do motor + carga:

Partida por Rampa de Tensão, média da corrente de partida:

3 x a corrente nominal do motor durante 25 s (3 x In @ 25 s).

1) No gráfico, a frio na figura 4.8, verificamos a mínima Classe Térmica que irá possibilitar a partida com tensão reduzida:

Para 3 x In do motor @ 25 s, adotamos a mais próxima acima: Classe 10.

2) No gráfico, a quente na figura 4.9, verificamos a máxima Classe Térmica que suporta o motor devido ao tempo de rotor bloqueado a quente:

Para 6,6 x In do motor @ 12 s, adotamos a mais próxima abaixo: Classe 30.

Neste caso a Classe Térmica 10 possibilita a partida e a Classe Térmica 30 é o limite máximo. Portanto devemos adotar uma Classe Térmica entre essas duas, conforme a quantidade de partidas por hora e intervalo de tempo entre desligar e religar o motor.

Quanto mais próxima da Classe 10, mais protegido estará o motor, menos partidas por hora e maior deve ser o intervalo de tempo entre desligar e religar o motor.

Quanto mais próxima da Classe 30, mais próximo está do limite máximo do motor, portanto podem ocorrer ter mais partidas por hora e menor intervalo de tempo entre desligar e religar o motor.

5.2.2 Redução do Tempo de Partida a Frio para Quente

Para determinar os tempos de atuação das classes térmicas a quente, quando o seu motor estiver trabalhando em regime pleno com corrente inferior a 100 % da In do motor, utilize o fator multiplicador da tabela 4.4, conforme a porcentagem de corrente que o motor está operando.

Por exemplo:

Um motor está sendo operado com 80 % In e é desligado.

Imediatamente torna-se a ligá-lo.

O regime de partida é 3xIn do motor @ 25 s.

A Classe térmica selecionada é a Classe 10 com 33,7 s @ 3xIn do motor.

O fator de ajuste na tabela para 80 % In do motor é de 0,48.

O tempo final de atuação será: $0,48 \times 33,7 \text{ s} = 16,2 \text{ s}$, ou seja, o tempo foi reduzido de 33,7 s em uma partida a frio para 16,2 s com partida a quente, portanto não possibilitará uma nova partida antes da imagem térmica do motor diminuir, ou seja esfriar.

5.2.3 Fator de Serviço

Quando o Fator de Serviço (F.S.) for diferente de 1,00 e houver a necessidade de utilizá-lo, existe no próprio gráfico a frio, os pontos para F.S. = 1,15 e uma tabela para F.S. = 1,15.

Caso desejar saber os tempos de atuação da proteção térmica para outro valor de F.S. basta deslocar a linha de xIn do motor para a esquerda.

$$\frac{1}{F.S.} \times N \times I_n = Nova_Linha \times I_n$$

N = Número de vezes da corrente nominal do motor.

Exemplos:

Considerando a linha de 3xIn de F.S.=1,00 para F.S.= 1,25.

$$\frac{1}{1,25} \times 3 \times I_n = 2,40 \times I_n$$

A nova linha de 3xIn com F.S.=1,25 deve estar situada em 2,40 x In.

Considerando a linha de 3xIn de F.S.=1,00 para F.S.=1,15.

$$\frac{1}{1,15} \times 3 \times I_n = 2,61 \times I_n$$

A nova linha de 3xIn com F.S.=1,15 deve estar situada em 2,61xIn.

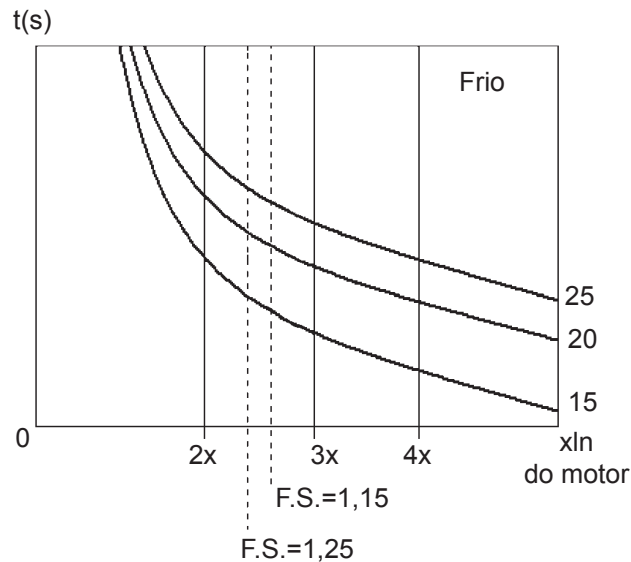


Figura 5.8 - Utilizando o F.S. para encontrar o novo tempo

Caso não esteja disponível, o opcional HMI ou comunicação serial para programação do parâmetro de fator de serviço, é necessário utilizar a corrente nominal do motor como sendo I_n do motor x F.S. Neste caso, o trimpot Motor Current deve ser programado considerando o fator de serviço.

$$\text{Motor_Current} = \frac{I_n \text{ do_ Motor} \times \text{F.S.}}{I_n \text{ da_ SSW}} \times 100$$

Exemplo:

Motor de 80 A com F.S. = 1,25
SSW-07 de 130 A

$$\frac{80 \times 1,25}{130} \times 100 = 77 \%$$

O trimpot Motor Current deve então ser ajustado em 77 %.



NOTA!

O exemplo e a equação acima devem ser usados somente quando o fator de serviço for usado, e não for possível programar o parâmetro de fator de serviço via o opcional HMI ou comunicação serial.

SOLUÇÃO E PREVENÇÃO DE FALHAS

6.1 ERROS E POSSÍVEIS CAUSAS

Quando é detectado um erro, a Soft-Starter é bloqueada (desabilitada), o erro será indicado nos LEDs através de sinais de luz intermitentes.

Para que a Soft-Starter volte a operar normalmente após a ocorrência de um erro, é necessário resetá-la. Este procedimento pode ser feito através das seguintes formas:

- Desligando a alimentação da eletrônica e ligando-a novamente (power-on RESET);
- Através do botão de RESET localizado na parte na frontal da SSW-07 (botão de RESET);
- Automaticamente através do RESET automático. Esta função é habilitada via DIP Switch (auto);
- Via entrada digital DI2 ou DI3.

Descrição da proteção e sinalização do erro	Descrição da atuação	Causas mais prováveis	Reset
<p>Falta de fase ou Subcorrente</p> <p>E03</p> <p>(LED Phase Loss) Piscando</p>	<p>No início da partida: Atua quando não houver tensão nos bornes de alimentação da potência (R/1L1, S/3L2 e T/5L3) ou quando o motor estiver desconectado.</p> <p>Em regime (100 % de tensão): Atua quando o valor de corrente estiver abaixo do valor programado durante o tempo programado. Referenciado a corrente nominal do motor. Com a programação dos parâmetros com valores padrão de fábrica, esta proteção atua após transcorrido 1 s da falta de fase, tanto na entrada quanto na saída (motor). Atua quando a corrente que circula pela SSW-07 for inferior a 20 % da corrente ajustada no trimpot Motor Current.</p>	<p>Em aplicações com bombas hidráulicas ela pode estar girando a vazio.</p> <p>Falta de fase da rede trifásica.</p> <p>Curto ou falha no tiristor ou By-Pass.</p> <p>Motor não conectado.</p> <p>Tipo de ligação do motor errada.</p> <p>Problemas de mau contato nas conexões.</p> <p>Problemas com o acionamento do contator de entrada.</p> <p>Fusíveis de entrada abertos.</p> <p>Programação incorreta do trimpot Motor Current.</p> <p>Motor com consumo de corrente abaixo do valor limite para atuação da proteção de falta de fase.</p>	<p>Power-on.</p> <p>Botão reset.</p> <p>Auto-reset.</p> <p>DIx.</p>
<p>Sobre temperatura na potência</p> <p>E04</p> <p>(LED Fault) Pisca 1 vez (LED Ready) Aceso</p>	<p>Quando a temperatura no dissipador for superior ao valor limite.</p> <p>Atua também no caso de sensor de temperatura não conectado.</p>	<p>Carga no eixo muito alta.</p> <p>Elevado número de partidas sucessivas.</p> <p>Sensor interno de temperatura não conectado.</p> <p>Ciclo de partidas exige o kit de ventilação (modelo de 45 A a 200 A).</p>	<p>Power-on.</p> <p>Botão reset.</p> <p>Auto-reset.</p> <p>DIx.</p>

Tabela 6.1 - Erros e possíveis causas

Descrição da proteção e sinalização do erro	Descrição da atuação	Causas mais prováveis	Reset
<p>Sobrecarga eletrônica do motor</p> <p>E05</p> <p>(LED Overload) Piscando</p>	<p>Quando exceder os tempos dados pelas curvas das classes térmicas programadas.</p>	<p>Ajuste incorreto do trimpot “Motor Current” (ajuste da corrente do motor). Valor ajustado muito baixo para o motor utilizado.</p> <p>Regime de partida acima do permitido.</p> <p>Classe térmica programada abaixo do regime permitido pelo motor.</p> <p>Tempo entre desligamento e religamento abaixo do permitido pelos tempos de resfriamento para a potência do motor.</p> <p>Carga no eixo muito alta.</p> <p>Valor da proteção térmica salva ao desligar o controle e retornada ao religar.</p>	<p>Power-on. Botão reset. Auto-reset. DIx.</p>
<p>Excesso de tempo de limitação de corrente durante a partida</p> <p>E62</p> <p>(LED Fault) Pisca 2 vezes (LED Ready) Aceso</p>	<p>Quando o tempo de partida devido à partida com limitação de corrente, for superior ao tempo ajustado na rampa de aceleração.</p>	<p>Tempo programado para rampa de aceleração inferior ao necessário.</p> <p>Valor da limitação de corrente programado muito baixo.</p> <p>Motor travado, rotor bloqueado.</p>	<p>Power-on. Botão reset. Auto-reset. DIx.</p>
<p>Rotor bloqueado</p> <p>E63</p> <p>(LED Stall) Piscando</p>	<p>Atua antes da tensão plena, se a corrente for superior a duas vezes a nominal do motor.</p>	<p>Tempo da rampa de aceleração programada menor que o tempo real de aceleração.</p> <p>Eixo do motor travado (bloqueado).</p> <p>O transformador que alimenta o motor pode estar saturando e levando muito tempo para se recuperar da corrente de partida.</p>	<p>Power-on. Botão reset. Auto-reset. DIx.</p>
<p>Sobrecorrente</p> <p>E66</p> <p>(LED Overcurrent) Piscando</p>	<p>Monitoramento apenas quando a SSW-07 está em regime (100 % de tensão). Com a programação dos parâmetros com valores padrão de fábrica, esta proteção atua quando a corrente do motor ultrapassa o valor de 2 vezes o valor ajustado no trimpot (Motor Current) durante um tempo superior a 1 s.</p>	<p>Excesso de carga momentânea no motor.</p> <p>Eixo do motor travado, rotor bloqueado.</p>	<p>Power-on. Botão reset. Auto-reset. DIx.</p>
<p>Seqüência de fase incorreta</p> <p>E67</p> <p>(LED Phase Seq) Piscando</p>	<p>Quando a seqüência de interrupções dos sinais de sincronismo não segue a seqüência RST.</p>	<p>Seqüência de fase da rede de entrada invertida.</p> <p>Pode ter sido alterada em outro ponto da rede de alimentação.</p>	<p>Power-on. Botão reset. DIx.</p>

Descrição da proteção e sinalização do erro	Descrição da atuação	Causas mais prováveis	Reset
<p>Subtensão na alimentação da eletrônica</p> <p>E70</p> <p>(LED Fault) Pisca 2 vezes (LED Ready) Apagado</p>	<p>Atua quando a tensão da alimentação da eletrônica for inferior a 93 Vca.</p>	<p>Alimentação da eletrônica abaixo do valor mínimo. Mau contato na alimentação da eletrônica. Fusível da alimentação da eletrônica aberto.</p>	<p>Power-on. Botão reset. Auto-reset. Dlx.</p>
<p>Contato do relé de By-Pass interno aberto</p> <p>E71</p> <p>(LED Fault) Pisca 3 vezes (LED Ready) Apagado</p>	<p>Quando houver alguma falha com os contatos dos relés de By-Pass interno em regime de tensão plena.</p>	<p>Mau contato nos cabos de acionamento dos relés de By-Pass interno. Contatos dos Relés de By-Pass defeituosos devido alguma sobrecarga.</p>	<p>Power-on. Botão reset. Auto-reset. Dlx.</p>
<p>Sobrecorrente antes do By-Pass</p> <p>E72</p> <p>(LED Fault) Pisca 4 vezes (LED Ready) Apagado</p>	<p>Atua antes do fechamento do By-Pass no caso da corrente for superior a: 37,5 A para os modelos até 30 A; 200 A para os modelos de 45 a 85 A; 260 A para o modelo de 130 A; 400 A para os modelos de 171 e 200 A. 824 A para os modelos de 255 A a 412 A.</p>	<p>Tempo da rampa de aceleração programada menor que o tempo real de aceleração. Corrente nominal do motor acima da corrente suportada pela Soft-Starter. Eixo do motor travado, rotor bloqueado.</p>	<p>Power-on. Botão reset. Auto-reset. Dlx.</p>
<p>Frequência fora da tolerância</p> <p>E75</p> <p>(LED Fault) Pisca 1 vez (LED Ready) Apagado</p>	<p>Quando frequência estiver abaixo ou acima dos limites de 45 até 66 Hz.</p>	<p>Frequência da rede está fora dos limites. Quando a Soft-Starter + motor estiverem sendo alimentados por um gerador que não está suportando o regime de carga plena ou de partida do motor.</p>	<p>Power-on. Botão reset. Auto-reset. Dlx.</p>
<p>Contato do By-Pass fechado ou SCRs em curto-circuito</p> <p>E77</p> <p>(LED Fault) pisca 6 vezes (LED Ready) Apagado</p>	<p>Quando não houver a abertura do circuito do contato de By-Pass interno.</p>	<p>Mau contato nos cabos de acionamento dos relés de By-Pass interno ou externo. Contatos defeituosos devido alguma sobrecarga. Curto-circuito em paralelo, curto-circuito externo.</p>	<p>Power-on. Botão reset. Dlx.</p>

Tabela 6.1 - Erros e possíveis causas (cont.)

OBSERVAÇÕES:

No caso de atuação do E04 (sobretensão na potência), é necessário esperar a Soft-Starter esfriar um pouco antes de resetá-la. No caso do E05 (sobrecarga no motor), é necessário esperar o mesmo esfriar um pouco antes de resetar.

6.2 SOLUÇÃO DE PROBLEMAS MAIS FREQUENTES

Problema	Ponto a ser verificado	Ação corretiva
Motor não gira	Fiação errada	Verificar todas as conexões de potência e comando. Por exemplo: As entradas digitais Dlx programadas como habilitação ou erro externo devem estar conectadas, a alimentação CA.
	Programação errada	Verificar se os parâmetros estão com os valores corretos para aplicação.
	Erro	Verificar se a Soft-Starter, não está bloqueada a uma condição de erro detectado (consulte a tabela 6.1).
Motor não atinge a velocidade nominal	Motor tombado	Aumentar o nível de limitação de corrente se com o controle para limitação de corrente.
Rotação do motor oscila (flutua)	Conexões frouxas	Desligue a Soft-Starter, desligue a alimentação e aperte todas as conexões. Checar se todas as conexões internas da Soft-Starter para certificar-se de que estão bem conectadas.
Rotação do motor: muito alta ou muito baixa	Dados de placa do motor	Verificar se o motor utilizado está de acordo com a aplicação.
LEDs apagados	Verificar a tensão da alimentação do cartão de controle (A1 e A2)	Valores nominais devem estar dentro do seguinte: Umín. = 93,5 Vca Umáx. = 264 Vca
Trancos na aceleração	Ajustes da Soft-Starter	Reduzir o tempo da rampa de aceleração.

Tabela 6.2 - Solução dos problemas mais frequentes



NOTA!

Para consultas ou solicitação de serviços, é importante ter em mãos os seguintes dados:

- Modelo da Soft-Starter;
- Número de série, data de fabricação e revisão de hardware constantes na etiqueta de identificação do produto (consulte o item 2.3);
- Versão de software instalada (consulte o item 2.3);
- Dados da aplicação e da programação efetuada.

Para esclarecimentos, treinamento ou serviços favor contatar a Assistência Técnica WEG.

6.3 MANUTENÇÃO PREVENTIVA



PERIGO!

Sempre desconecte a alimentação geral antes de tocar qualquer componente elétrico associado a Soft-Starter SSW-07.

**Não execute nenhum ensaio de tensão aplicada a Soft-Starter SSW-07!
Caso seja necessário, consulte o fabricante.**

Não utilize megômetros para testar os tiristores.

Para evitar problemas de mau funcionamento ocasionados por condições ambientais desfavoráveis tais como alta temperatura, umidade, sujeira, vibração ou devido ao envelhecimento dos componentes, são necessárias inspeções periódicas nas Soft-Starters SSW-07 e instalações.

Componente	Anormalidade	Ação Corretiva
Terminais, conectores	Parafusos frouxos	Aperto ⁽¹⁾
	Conectores frouxos	
Ventiladores / Sistemas de ventilação	Ventiladores sujos	Limpeza ⁽¹⁾
	Ruído acústico anormal	Substituir ventilador
	Ventilador sempre parado	
	Vibração anormal	
Módulo de Potência/ Conexões de potência	Poeira nos filtros de ar	Limpeza ou substituição ⁽²⁾
	Acúmulo de poeira, óleo, umidade, etc.	Limpeza ⁽¹⁾
	Parafusos de conexões frouxos	Aperto ⁽¹⁾

(1) A cada seis meses.

(2) Duas vezes por mês.

Tabela 6.3 - Inspeções periódicas após a colocação em funcionamento

DISPOSITIVOS OPCIONAIS

Este capítulo descreve os dispositivos opcionais que podem ser utilizados com a Soft-Starter SSW-07.

Descrição do Opcional	Item WEG
HMI local tipo Plug-In no SSW-07	10935572
Kit HMI remota	10935649
Cabo de 1 m para conexão SSW-07 - HMI remota	10050268
Cabo de 2 m para conexão SSW-07 - HMI remota	10190951
Cabo de 3 m para conexão SSW-07 - HMI remota	10211478
Cabo de 5 m para conexão SSW-07 - HMI remota	10211479
Cabo de 7,5 m para conexão SSW-07 - HMI remota	10050302
Cabo de 10 m para conexão SSW-07 - HMI remota	10191029
Kit Plug-In para comunicação DeviceNet	10935681
Kit Plug-In para comunicação RS232	10935578
Cabo de 3 m para conexão SSW-07 – Serial do PC	10050328
Cabo de 10 m para conexão SSW-07 – Serial do PC	10191117
Kit Plug-In para comunicação RS485	10935573
Kit ventilação da mecânica 2 (Correntes de 45 a 85 A)	10935650
Kit ventilação da mecânica 3 (Correntes de 130 a 200 A)	10935559
Kit IP20 para a mecânica 3 (Correntes de 130 a 200 A)	10935651
Kit IP20 para a mecânica 4 (corrente de 255 a 412 A)	11059230
Kit Plug-In para PTC do motor	10935663
Kit SuperDrive G2	10945062

Tabela 7.1 - Dispositivos opcionais

7.1 KIT IP20

A função do KIT IP20 é proteger o usuário do contato com as partes energizadas da Soft-Starter.



Figura 7.1 - Kit IP20 mecânica 3

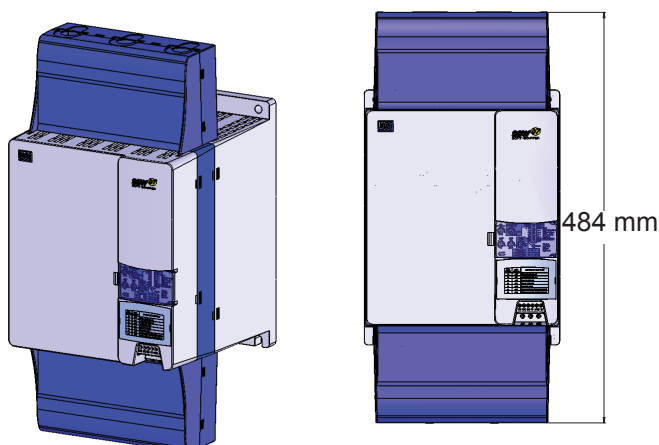


Figura 7.2 - Kit IP20 mecânica 4

CARACTERÍSTICAS TÉCNICAS

Este capítulo descreve as características técnicas (elétricas e mecânicas) da linha de Soft-Starters SSW-07.

8.1 POTÊNCIAS E CORRENTES NOMINAIS CONFORME UL508

Modelo SSW-07	Tensão do motor 220/230 V		Tensão do motor 380/400 V		Tensão do motor 440/460 V		Tensão do motor 575 V	
	(cv)	(kW)	(cv)	(kW)	(cv)	(kW)	(cv)	(kW)
17 A	5	3.7	7.5	5.5	10	7.5	15	11
24 A	7.5	5.5	10	7.5	15	11	20	15
30 A	10	7.5	15	11	20	15	25	18.5
45 A	15	11	25	18.5	30	22	40	30
61 A	20	15	30	22	40	30	50	37
85 A	30	22	50	37	60	45	75	55
130 A	50	37	75	55	100	75	125	90
171 A	60	45	100	75	125	90	150	110
200 A	75	55	100	75	150	110	200	150
255 A	100	75	150	110	200	150	250	185
312 A	125	90	175	130	250	185	300	225
365 A	150	110	200	150	300	225	350	260
412 A	150	110	250	185	350	260	450	330

Tabela 8.1 - Potências e correntes conforme UL508

8.2 POTÊNCIAS E CORRENTES NOMINAIS CONFORME MOTORES WEG, STANDARD, IP55, IV PÓLOS

Modelo SSW-07	Tensão do motor 220/230 V		Tensão do motor 380/400 V		Tensão do motor 440/460 V		Tensão do motor 525 V		Tensão do motor 575 V	
	(cv)	(kW)	(cv)	(kW)	(cv)	(kW)	(cv)	(kW)	(cv)	(kW)
17 A	6	4.5	10	7.5	12.5	9.2	15	11	15	11
24 A	7.5	5.5	15	11	15	11	20	15	20	15
30 A	10	7.5	20	15	20	15	25	18.5	30	22
45 A	15	11	30	22	30	22	40	30	40	30
61 A	20	15	40	30	50	37	50	37	60	45
85 A	30	22	60	40	60	45	75	55	75	55
130 A	50	37	75	55	100	75	125	90	125	90
171 A	60	45	125	90	125	90	150	110	175	132
200 A	75	55	125	90	150	110	200	150	200	150
255 A	100	75	175	132	200	150	250	185	250	185
312 A	125	90	200	150	250	185	300	220	300	225
365 A	150	110	250	185	300	225	350	260	400	300
412 A	150	110	300	220	350	260	440	315	450	330

Tabela 8.2 - Potências e correntes para motores WEG



NOTA!

As potências máximas indicadas na tabela 8.1, são baseadas em 3xCorrente nominal da Soft-Starter SSW-07 durante 30 s e 10 partidas por hora (3xIn @ 30 s).

8.3 DADOS DA POTÊNCIA

Alimentação	Tensão da Potência (R/1L1, S/3L2, T/5L3)	(220 a 575) Vca (-15 % a +10 %), ou (187 a 632) Vca
	Frequência	(50 a 60) Hz ($\pm 10\%$), ou (45 a 66) Hz
Capacidade	Número máximo de partidas por hora (sem ventilação)	10 (1 a cada 6 minutos; modelos de 17 A a 30 A) 3 (1 a cada 20 minutos; modelos de 45 A a 200 A) 10 (1 a cada 6 minutos; modelos de 255 A a 412 A)
	Número máximo de partidas por hora com Kit opcional de ventilação	10 (1 a cada 6 minutos; modelos de 45 a 200 A)
	Ciclo de partida	3 x In do SSW-07 durante 30 segundos
Tiristores (SCRs)		Tensão reversa de pico máxima 1600 V
Categoria de Sobretensão		III (UL508/EN61010)

8.4 DADOS DA ELETRÔNICA E PROGRAMAÇÃO

Alimentação	Tensão de controle Conector (A1, A2)	<input checked="" type="checkbox"/> (110 a 240) Vca (-15 % a +10 %), (modelos de 17 A a 200 A) <input checked="" type="checkbox"/> (110 a 130) Vca ou (208 a 240) Vca (-15 % a +10 %) (Modelos de 255 A a 412 A)
	Frequência	<input checked="" type="checkbox"/> (50 a 60) Hz ($\pm 10\%$), ou (45 a 66) Hz
	Consumo	<input checked="" type="checkbox"/> 15 VA (modelos de 17 A a 200 A) <input checked="" type="checkbox"/> 60 VA contínuo 800 VA adicional durante o fechamento do By-Pass (modelos de 255 A a 412 A)
Controle	Método	<input checked="" type="checkbox"/> Rampa de tensão; <input checked="" type="checkbox"/> Limitação de corrente.
Entradas	Digitais	<input checked="" type="checkbox"/> 3 entradas digitais isoladas; <input checked="" type="checkbox"/> Nível alto mínimo: 93 Vca; <input checked="" type="checkbox"/> Nível baixo máximo: 10 Vca; <input checked="" type="checkbox"/> Tensão máxima: 264 Vca; <input checked="" type="checkbox"/> Corrente de entrada: 1.1 mA @ 220 V; <input checked="" type="checkbox"/> Funções programáveis.
Saídas	Relé	<input checked="" type="checkbox"/> 2 relés com contatos NA, 240 Vca, 1 A, funções programáveis;
Segurança	Proteções	<input checked="" type="checkbox"/> Sobrecorrente; <input checked="" type="checkbox"/> Falta de fase; <input checked="" type="checkbox"/> Seqüência de fase invertida; <input checked="" type="checkbox"/> Sobretemperatura no dissipador da potência; <input checked="" type="checkbox"/> Sobrecarga no Motor; <input checked="" type="checkbox"/> Defeito externo; <input checked="" type="checkbox"/> Contato de By-Pass aberto; <input checked="" type="checkbox"/> Contato de By-Pass fechado; <input checked="" type="checkbox"/> Sobrecorrente antes do By-Pass ; <input checked="" type="checkbox"/> Rotor bloqueado; <input checked="" type="checkbox"/> Frequência fora da tolerância; <input checked="" type="checkbox"/> Subtensão na alimentação da eletrônica.